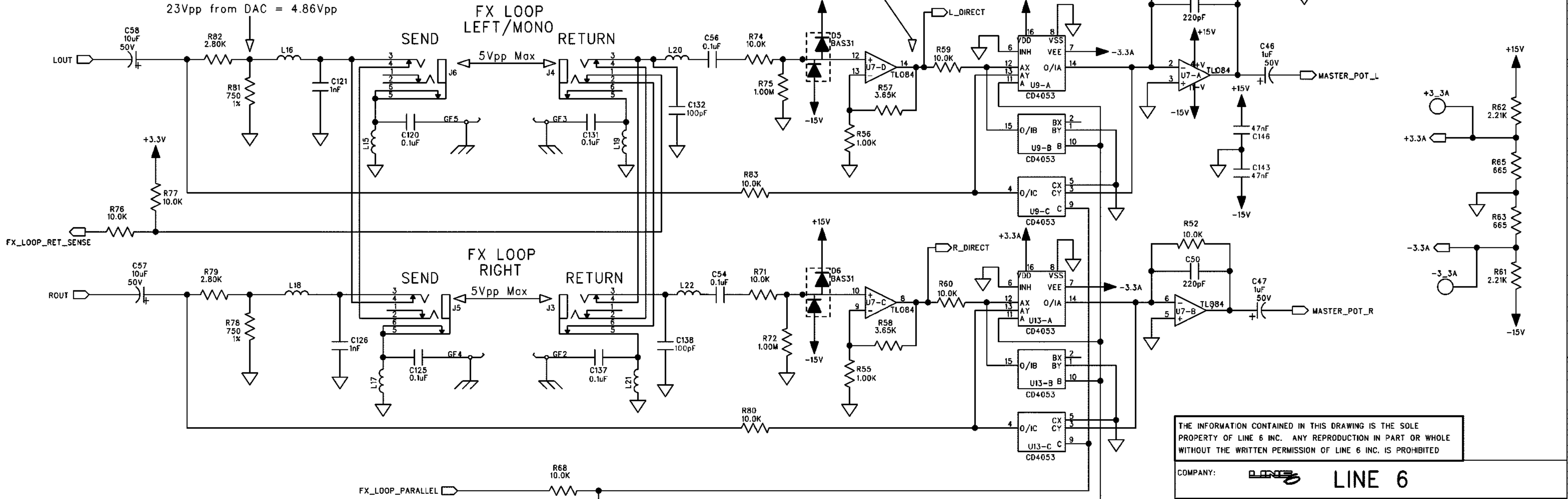
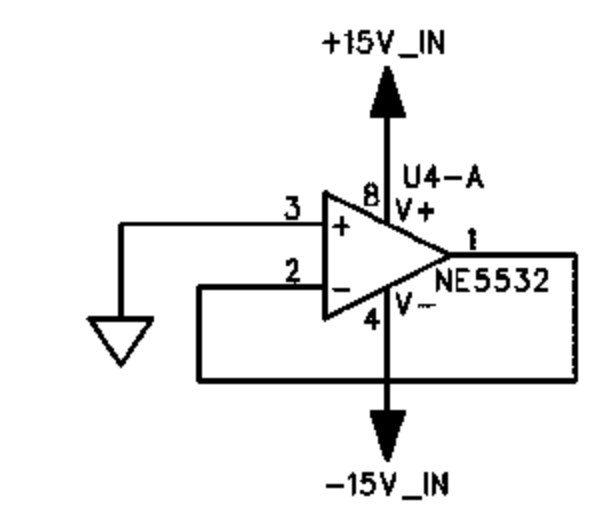
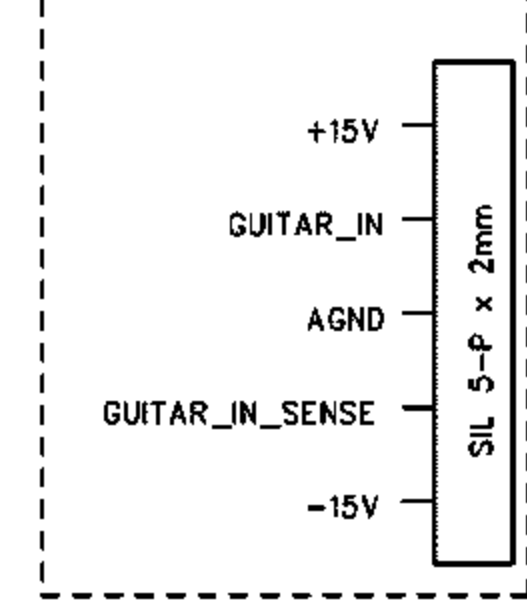


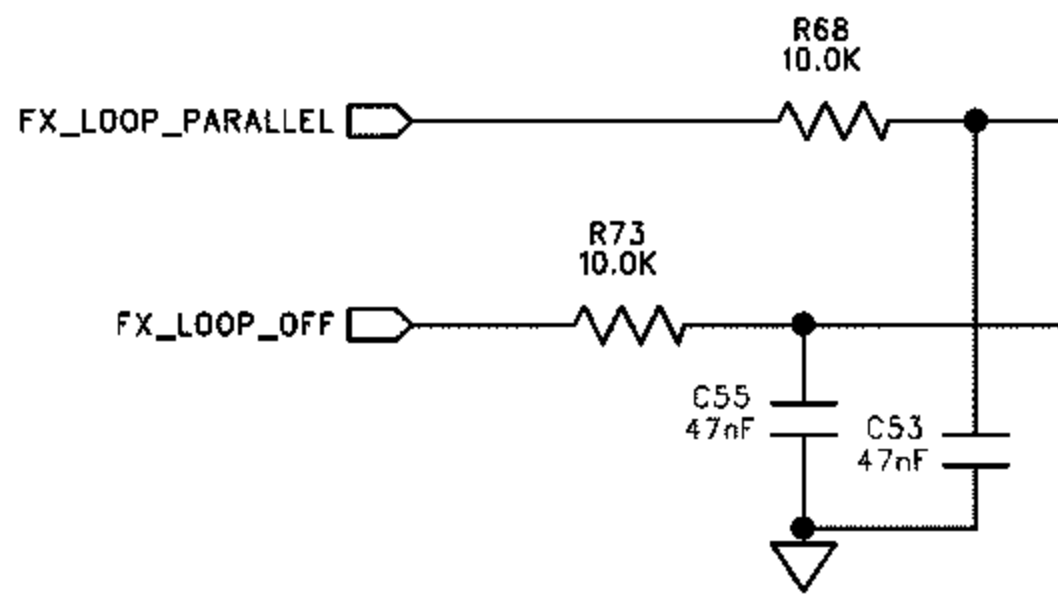
ECOs INCLUDED ON THIS SCHEMATIC/PCB REVISION		
ECO NO:	DATE:	DESCRIPTION:
023409	12/20/02	RELEASED REV.E SCH & PCB (fixed missing via in rev.D)

Local Chassis - AGND Connection

GUITAR INPUT DAUGHTER PCB



FX LOOP CONFIG. (DSP Control Signals)	FX_ON	FX_OFF	PARALLEL
FX_LOOP_PARALLEL	LOW	HIGH	HIGH
FX_LOOP_OFF	LOW	HIGH	LOW



THE INFORMATION CONTAINED IN THIS DRAWING IS THE SOLE PROPERTY OF LINE 6 INC. ANY REPRODUCTION IN PART OR WHOLE WITHOUT THE WRITTEN PERMISSION OF LINE 6 INC. IS PROHIBITED

COMPANY: **LINE 6**

TITLE: **SHARCTONE MAIN  
ANALOG IN & FX LOOP**

PROGRAM: **PADS POWER LOGIC V5.0**

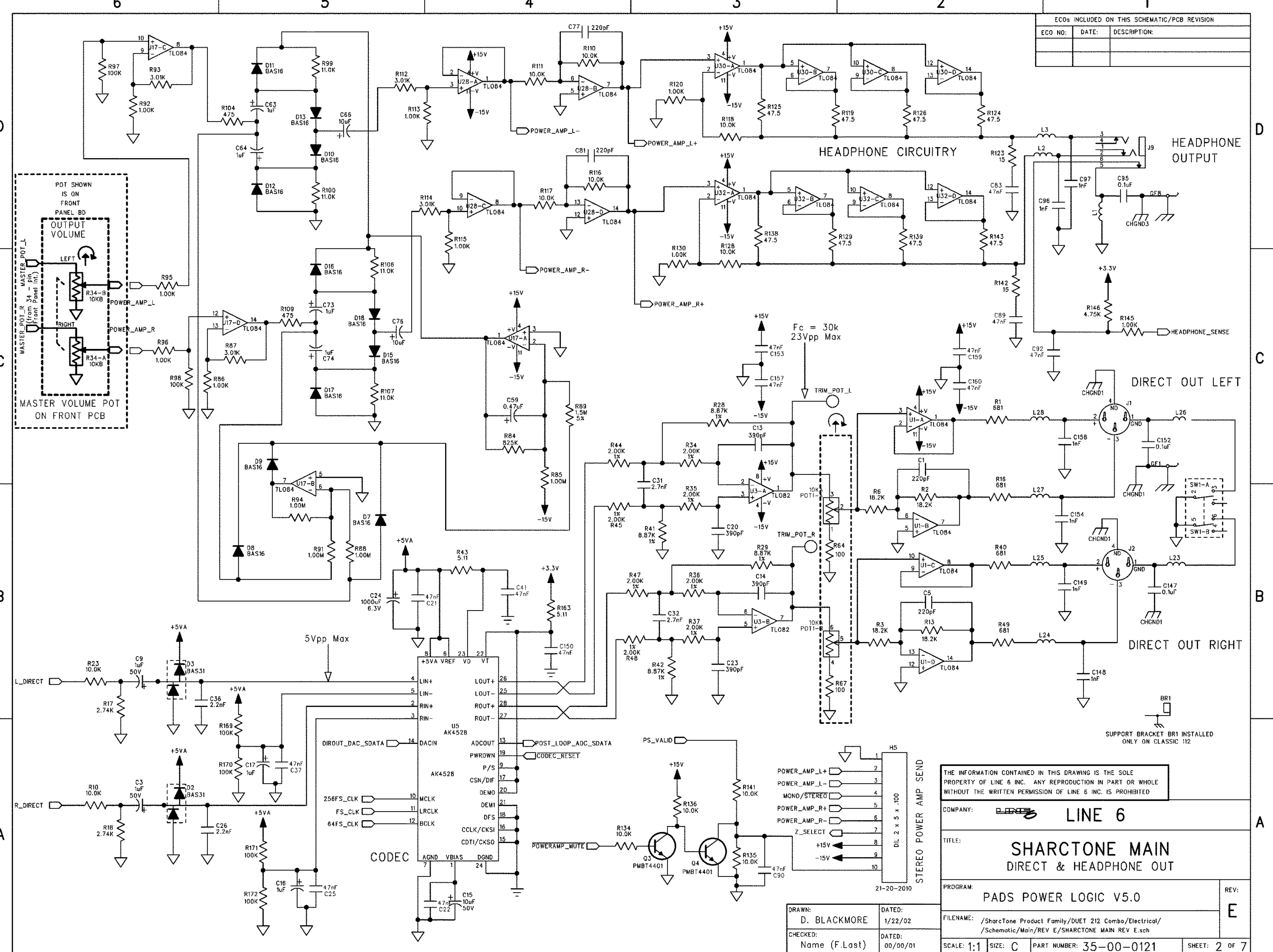
REV: **E**

FILENAME: /Sharctone Product Family/DUET 212 Combo/Electrical/  
/Schematic/Main/REV E/SHARCTONE MAIN REV E.sch

SCALE: 1:1 SIZE: C PART NUMBER: 35-00-0121 SHEET: 1 OF 7

DRAWN: DBLACKMORE DATED: 1/22/02  
 CHECKED: Name (F.Last) DATED: 00/00/01

ECOs INCLUDED ON THIS SCHEMATIC/PCB REVISION		
ECO NO:	DATE:	DESCRIPTION:



THE INFORMATION CONTAINED IN THIS DRAWING IS THE SOLE PROPERTY OF LINE 6 INC. ANY REPRODUCTION IN PART OR WHOLE WITHOUT THE WRITTEN PERMISSION OF LINE 6 INC. IS PROHIBITED

COMPANY: **LINE 6**

TITLE: **SHARCTONE MAIN DIRECT & HEADPHONE OUT**

PROGRAM: **PADS POWER LOGIC V5.0**

FILENAME: /Sharctone Product Family/DUET 212 Combo/Electrical/Schematic/Main/REV E/SHARCTONE MAIN REV E.sch

DRAWN: **D. BLACKMORE**  
 CHECKED: **Name (F.Last)**  
 DATED: **1/22/02**  
 DATED: **00/00/01**

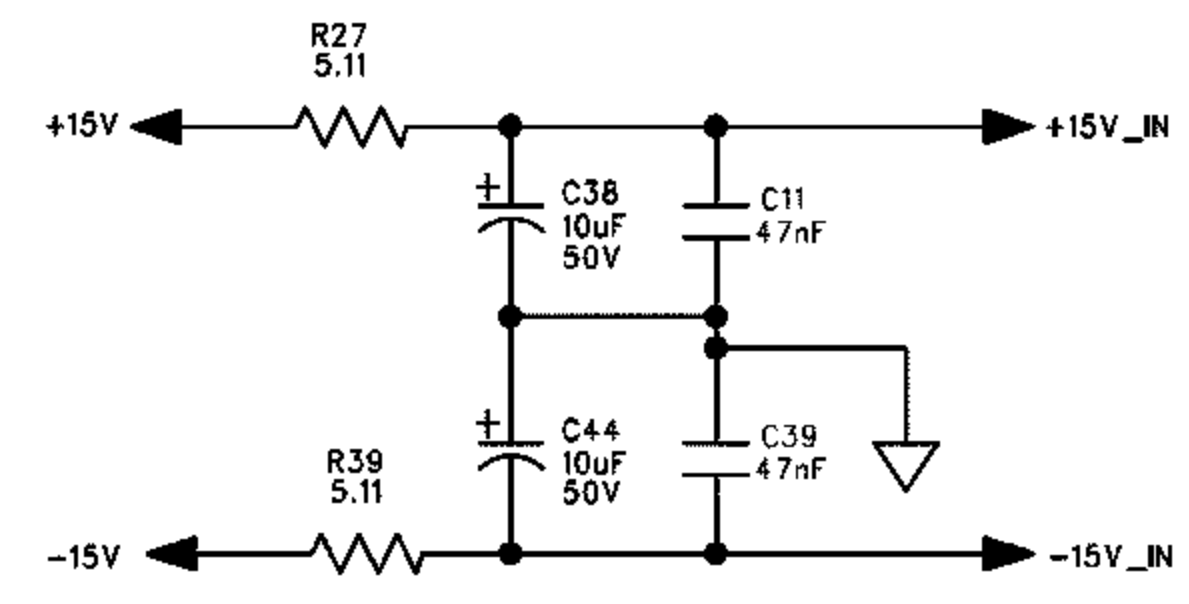
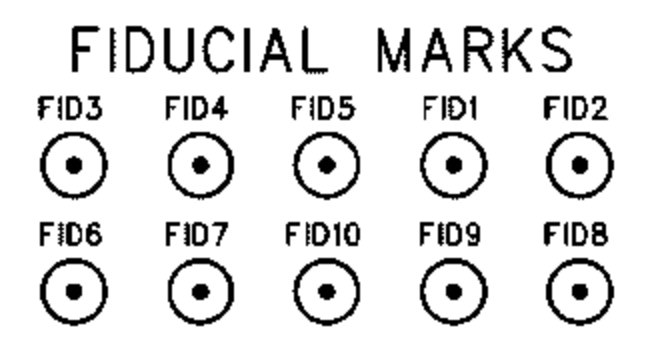
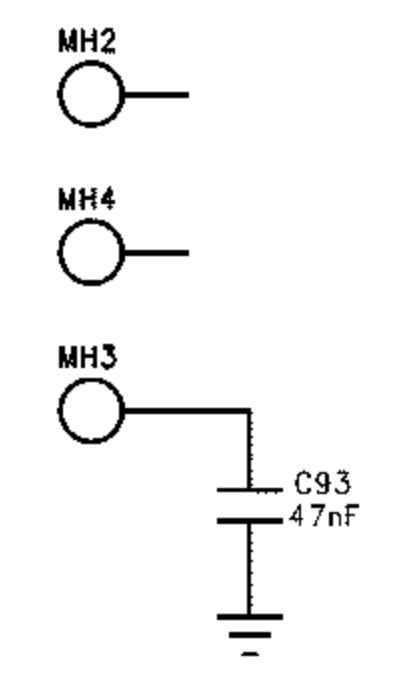
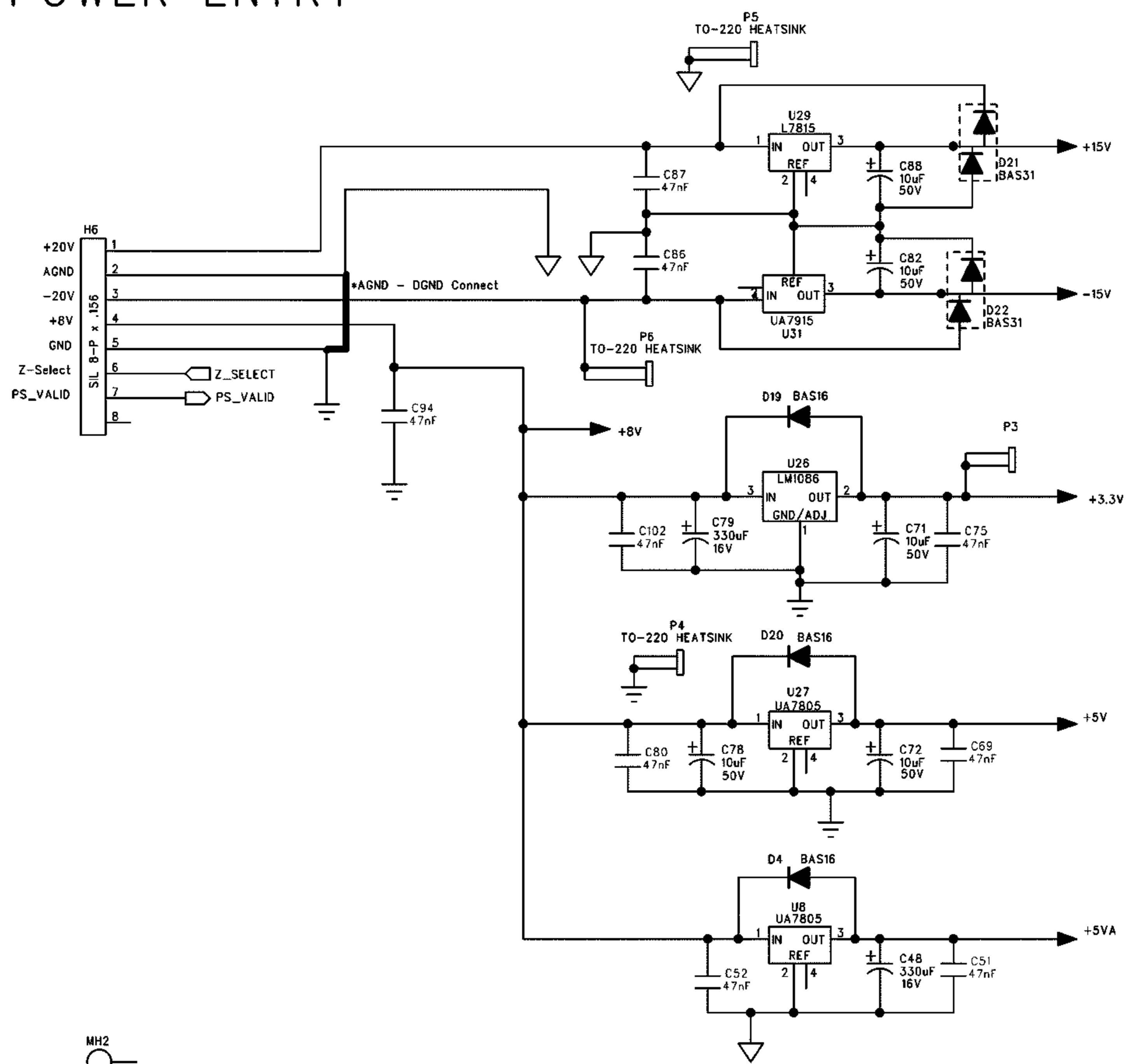
SCALE: **1:1** SIZE: **C** PART NUMBER: **35-00-0121** SHEET: **2 OF 7**

REV: **E**

ECOs INCLUDED ON THIS SCHEMATIC/PCB REVISION		
ECO NO:	DATE:	DESCRIPTION:

# POWER ENTRY

FROM POWER SUPPLY PCB

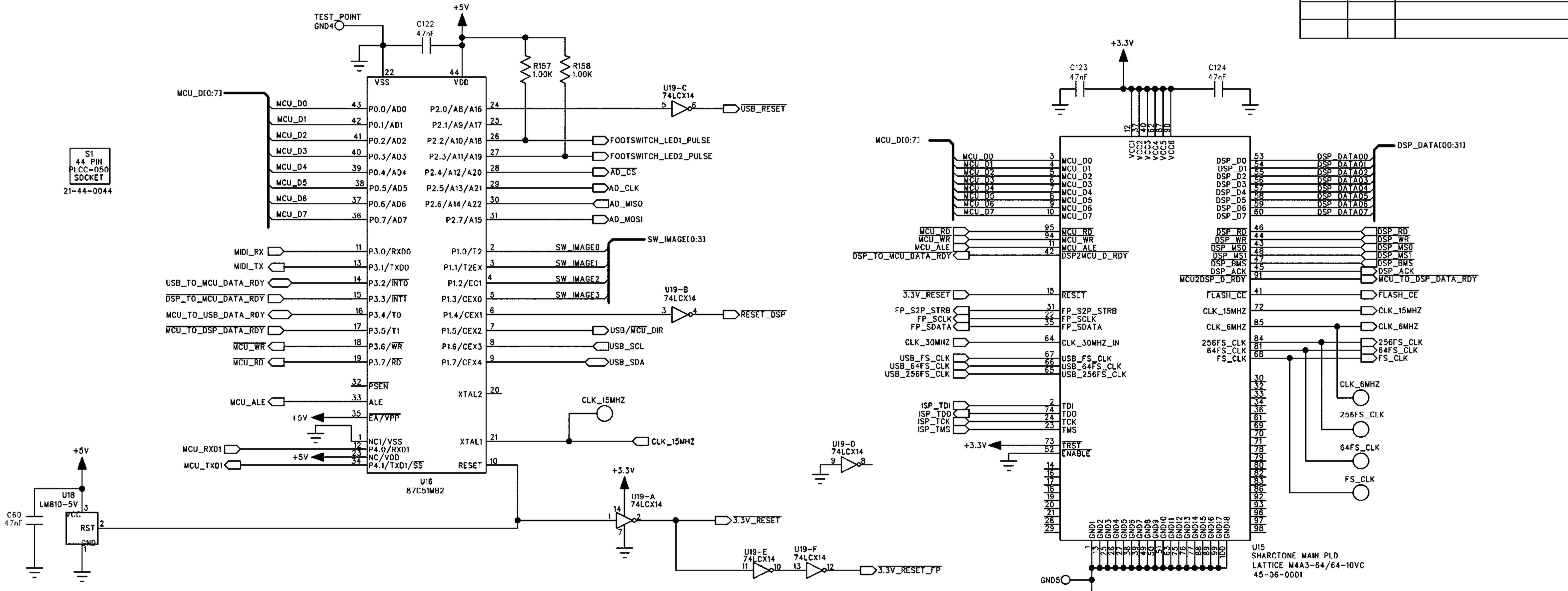


THE INFORMATION CONTAINED IN THIS DRAWING IS THE SOLE PROPERTY OF LINE 6 INC. ANY REPRODUCTION IN PART OR WHOLE WITHOUT THE WRITTEN PERMISSION OF LINE 6 INC. IS PROHIBITED

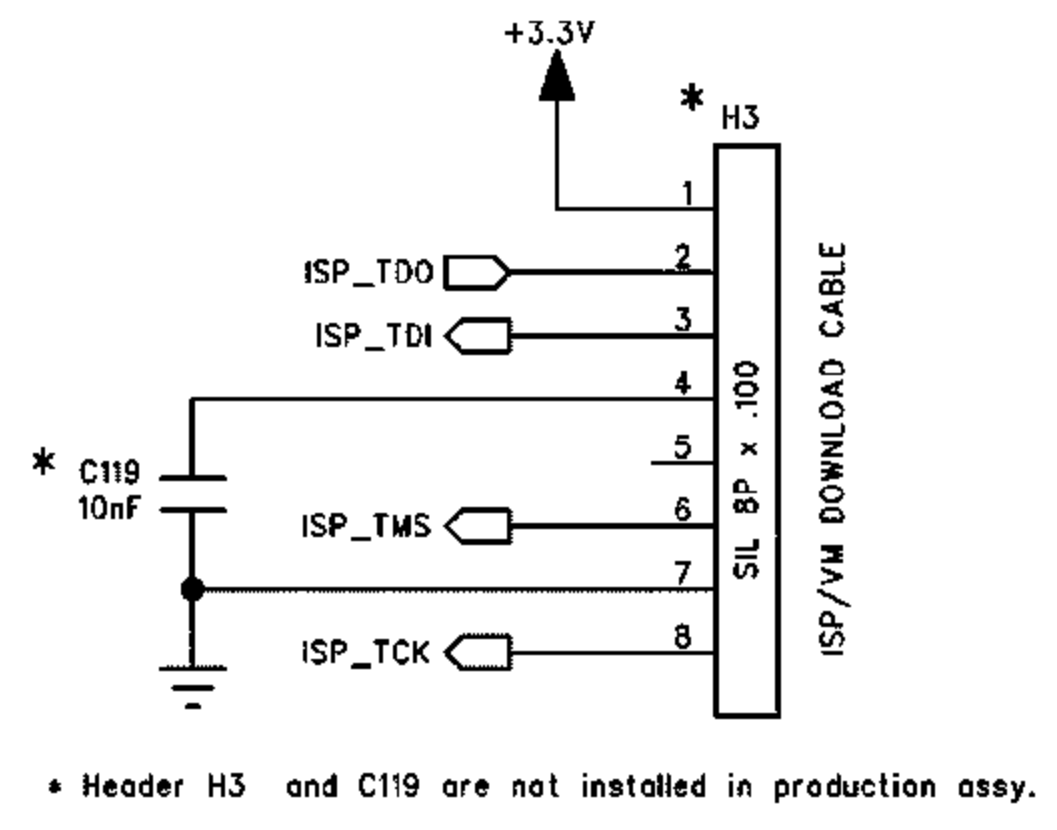
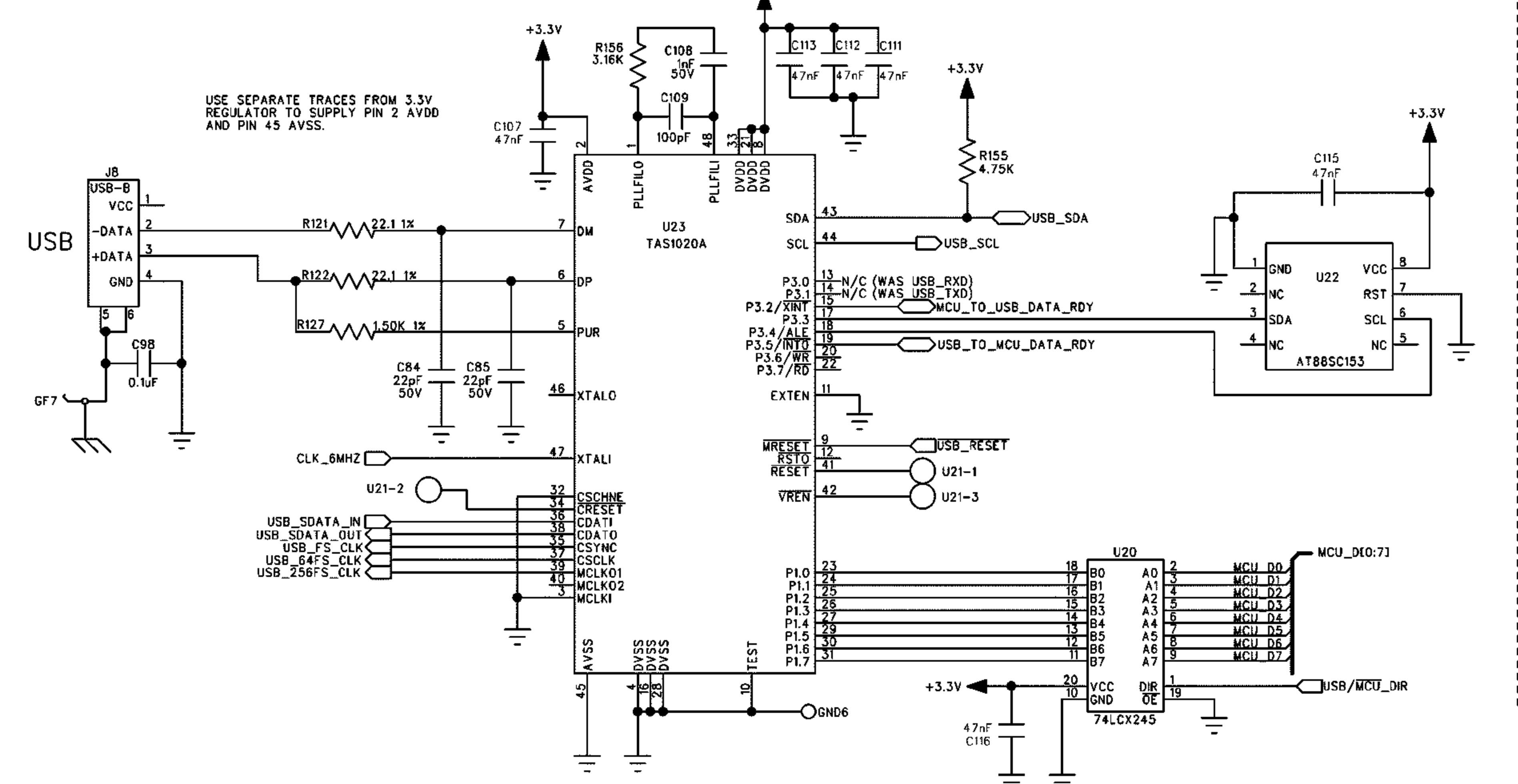
COMPANY:	LINE 6
TITLE:	SHARCTONE MAIN POWER
PROGRAM:	PADS POWER LOGIC V5.0
REV:	E
FILENAME:	/Sharctone Product Family/DUET 212 Combo/Electrical/Schematic/Main/REV E/SHARCTONE MAIN REV E.sch
SCALE:	1:1
SIZE:	C
PART NUMBER:	35-00-0121
SHEET:	3 OF 7

DRAWN:	D. BLACKMORE	DATED:	1/22/02
CHECKED:	Name (F.Last)	DATED:	00/00/01

ECOs INCLUDED ON THIS SCHEMATIC/PCB REVISION		
ECO NO:	DATE:	DESCRIPTION:



**USB OPTION** INSTALL THIS SECTION'S COMPONENTS ONLY WHEN USING THE USB OPTION  
 \*Do Not Install USB Option for Duet or Sharctone series



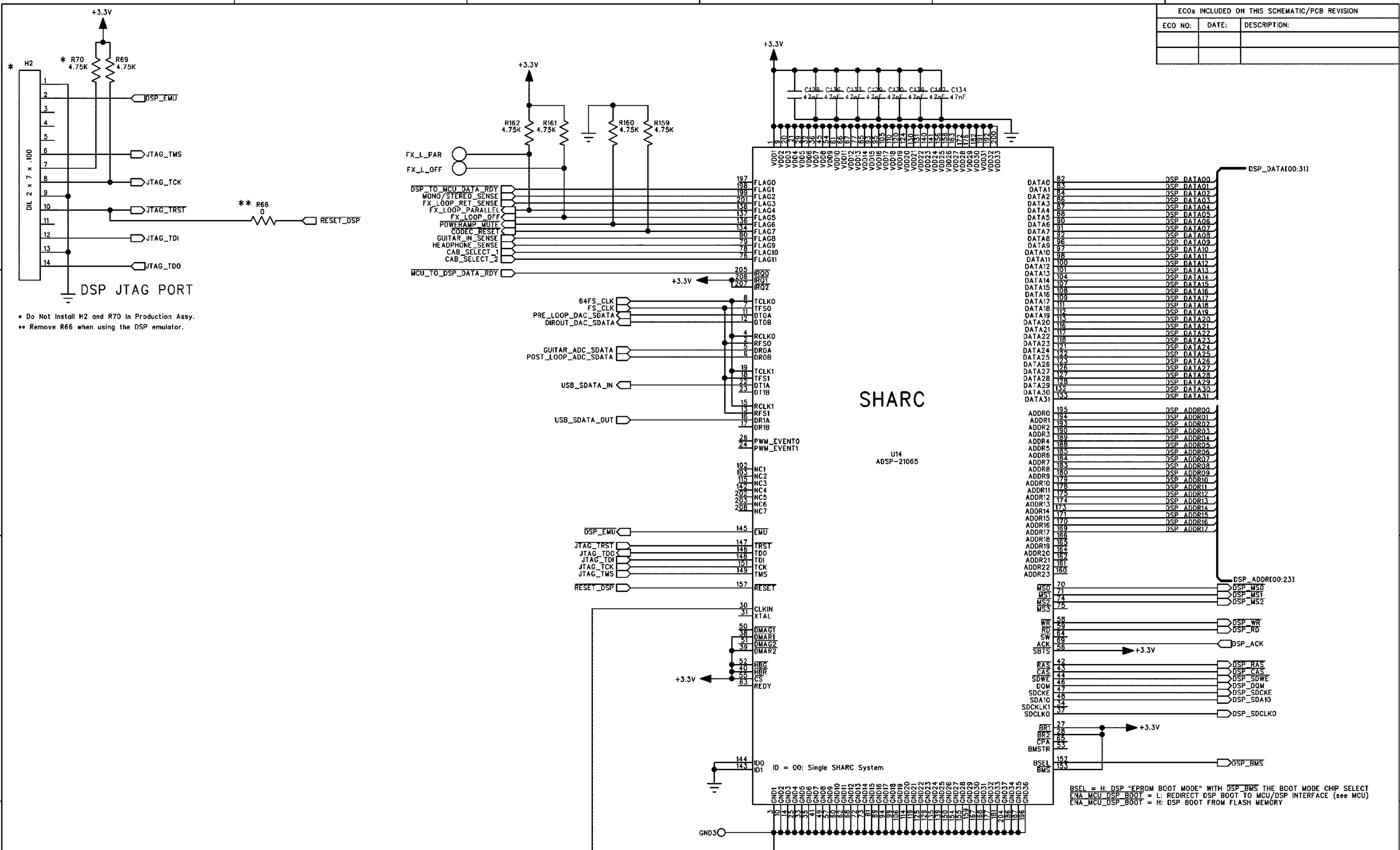
THE INFORMATION CONTAINED IN THIS DRAWING IS THE SOLE PROPERTY OF LINE 6 INC. ANY REPRODUCTION IN PART OR WHOLE WITHOUT THE WRITTEN PERMISSION OF LINE 6 INC. IS PROHIBITED

COMPANY:	LINE 6
TITLE:	SHARCTONE MAIN DIGITAL
PROGRAM:	PADS POWER LOGIC V5.0
FILENAME:	/Sharctone Product Family/DUET 212 Combo/Electrical/ /Schematic/Main/REV E/SHARCTONE MAIN REV E.sch
SCALE: 1:1	SIZE: C
PART NUMBER: 35-00-0121	SHEET: 4 OF 7

DRAWN:	D. MOLNAR	DATED:	3/29/2002
CHECKED:	Name (F.Last)	DATED:	00/00/01

REV: E

ECOs INCLUDED ON THIS SCHEMATIC/PCB REVISION		
ECO NO:	DATE:	DESCRIPTION:



\* Do Not Install H2 and R70 in Production Assy.  
 \*\* Remove R66 when using the DSP emulator.

THE INFORMATION CONTAINED IN THIS DRAWING IS THE SOLE PROPERTY OF LINE 6 INC. ANY REPRODUCTION IN PART OR WHOLE WITHOUT THE WRITTEN PERMISSION OF LINE 6 INC. IS PROHIBITED

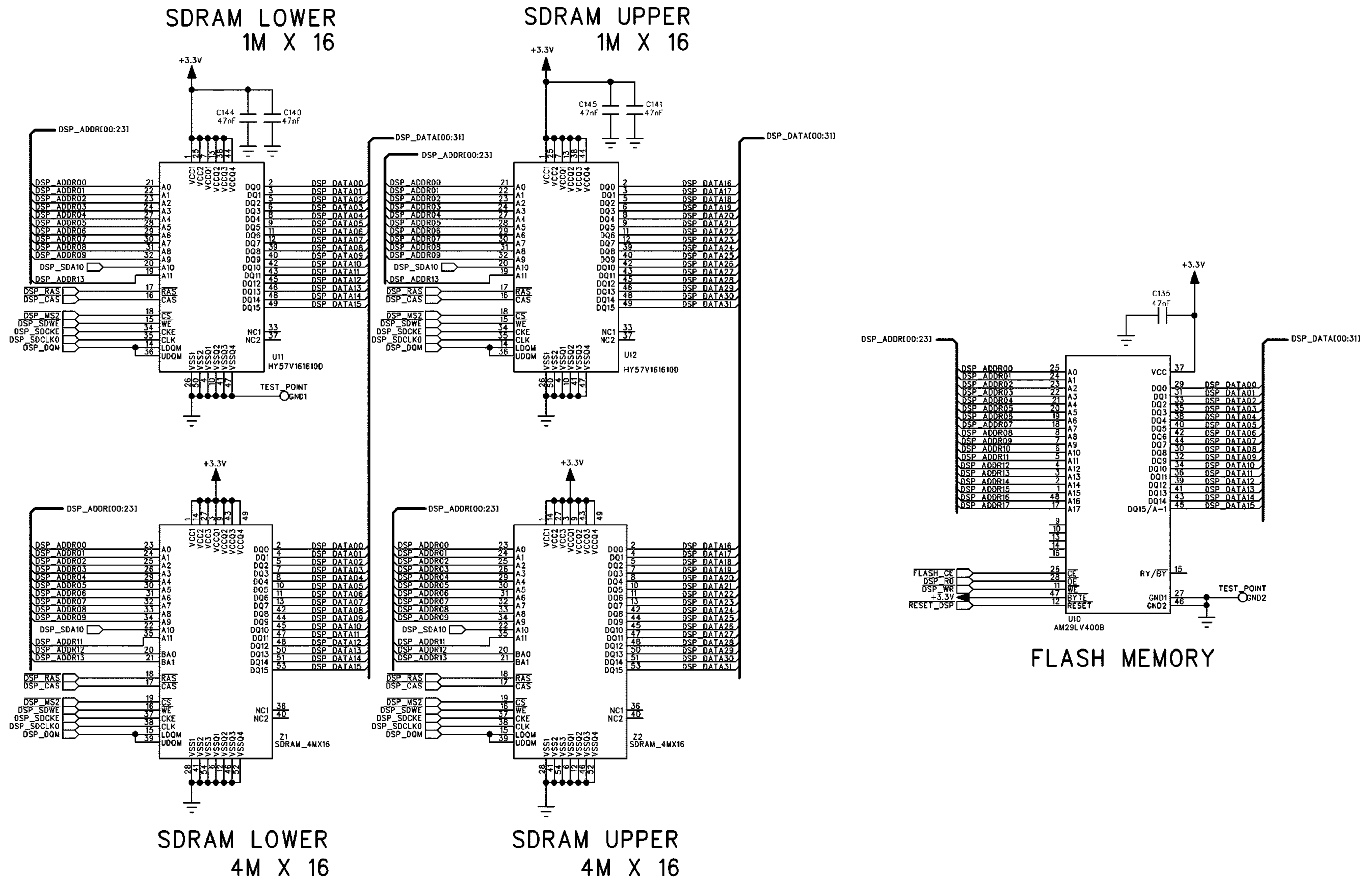
COMPANY:	LINE 6
TITLE:	SHARCTONE MAIN DSP
PROGRAM:	PADS POWER LOGIC V5.0
FILENAME:	/Sharctone Product Family/DUET 212 Combo/Electrical/ /Schematic/Main/REV E/SHARCTONE MAIN REV E.sch
SCALE:	1:1
SIZE:	C
PART NUMBER:	35-00-0121
SHEET:	5 OF 7

DRAWN:	D. MOLNAR	DATED:	3/29/2002
CHECKED:	Name (F.Last)	DATED:	00/00/01

REV: E

# DSP MEMORY

ECO's INCLUDED ON THIS SCHEMATIC/PCB REVISION		
ECO NO:	DATE:	DESCRIPTION:



NOTE: The PCB layout is configured to install Either the 1M X 16 or the 4M X 16 parts but not both!

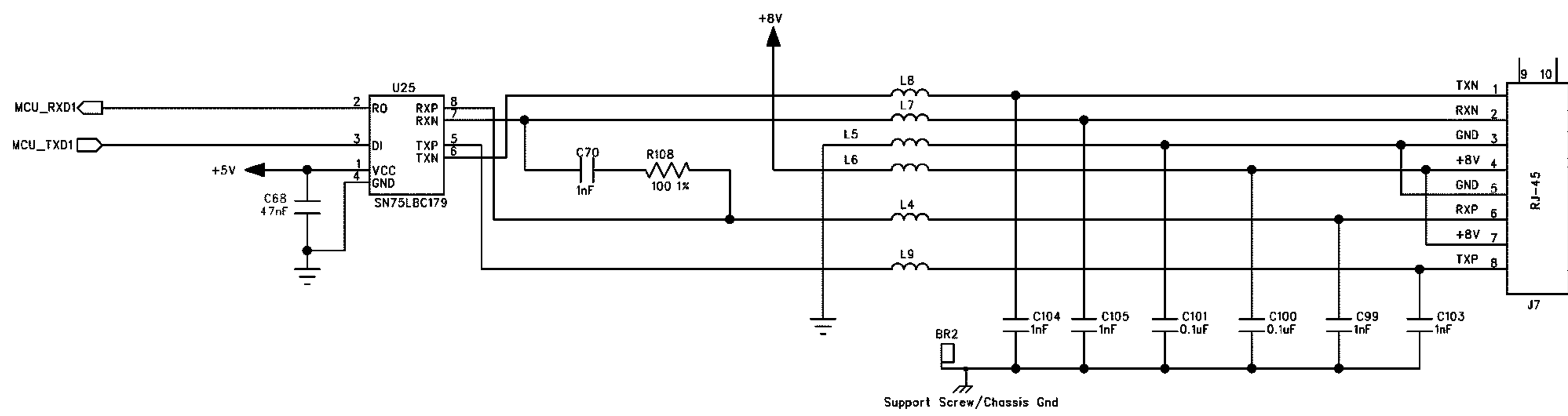
THE INFORMATION CONTAINED IN THIS DRAWING IS THE SOLE PROPERTY OF LINE 6 INC. ANY REPRODUCTION IN PART OR WHOLE WITHOUT THE WRITTEN PERMISSION OF LINE 6 INC. IS PROHIBITED

COMPANY:  LINE 6	
TITLE: SHARCTONE MAIN DSP MEMORY	
PROGRAM: PADS POWER LOGIC V5.0	REV: E
FILENAME: /Sharctone Product Family/DUET 212 Combo/Electrical/ /Schematic/Main/REV E/SHARCTONE MAIN REV E.sch	
SCALE: 1:1	SIZE: C
PART NUMBER: 35-00-0121	SHEET: 6 OF 7

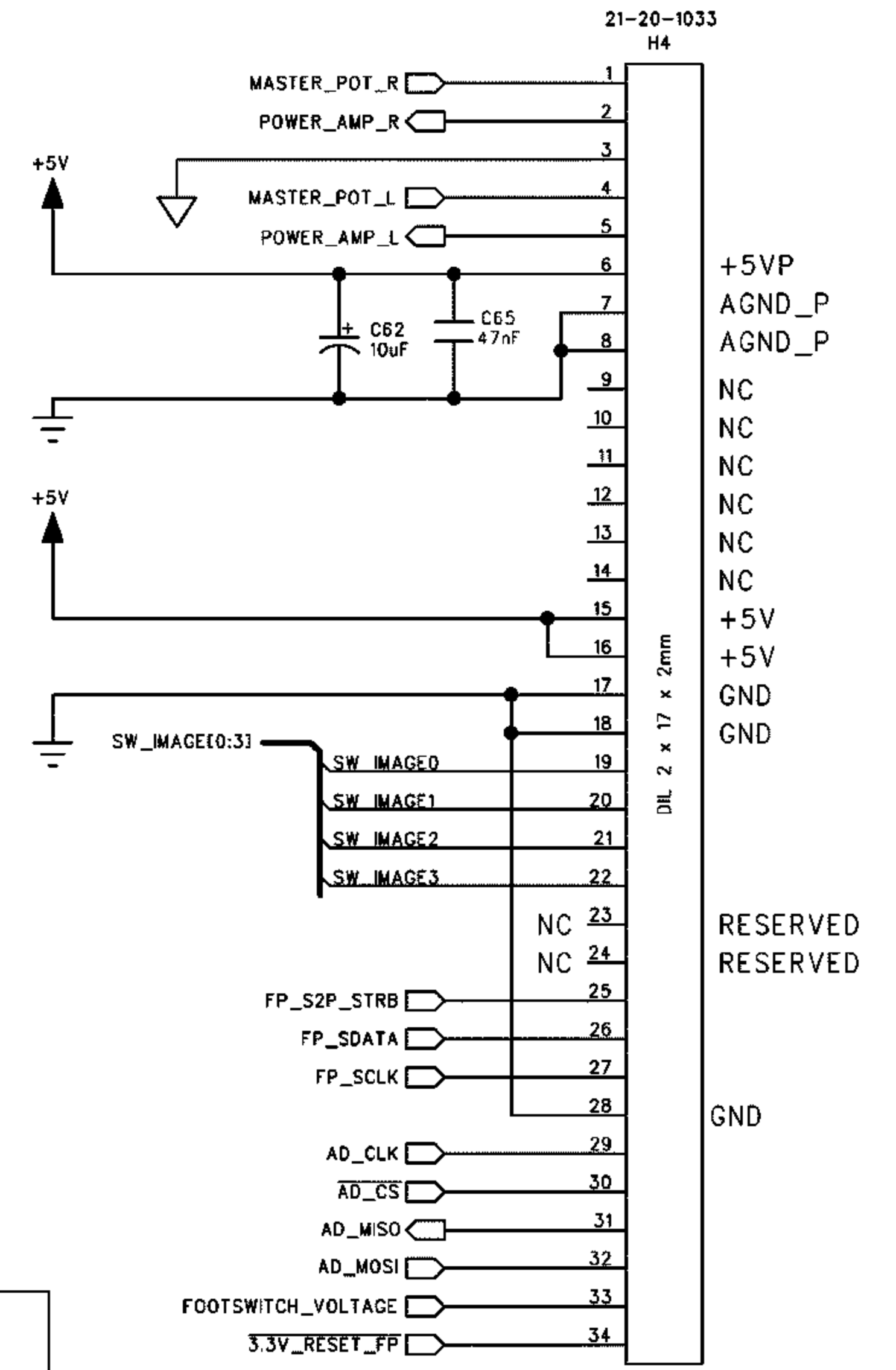
DRAWN: D. MOLNAR	DATED: 1/22/02
CHECKED: Name (F.Last)	DATED: 00/00/01

ECOs INCLUDED ON THIS SCHEMATIC/PCB REVISION		
ECO NO:	DATE:	DESCRIPTION:
0235409	12/20/02	Fixed "missing" via in rev.D release

### FBX CLASS FOOT CONTROLLER INTERFACE

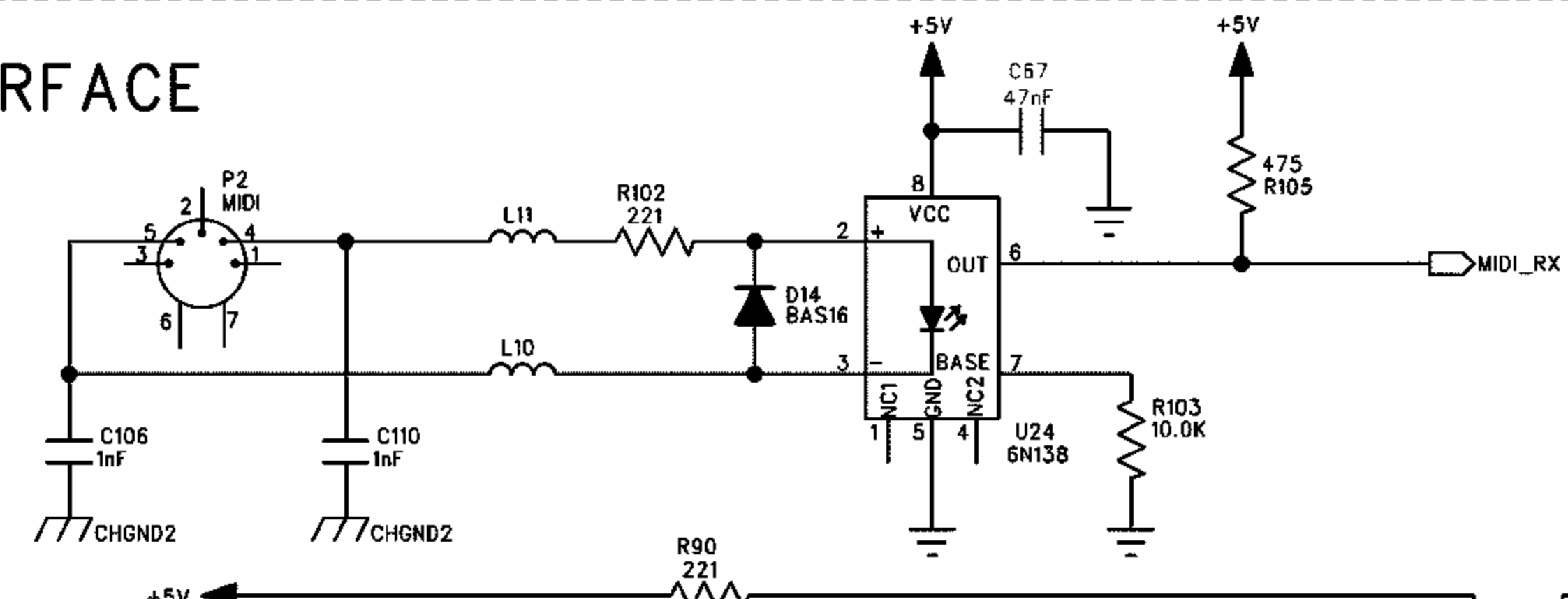


### FRONT PANEL INTERFACE

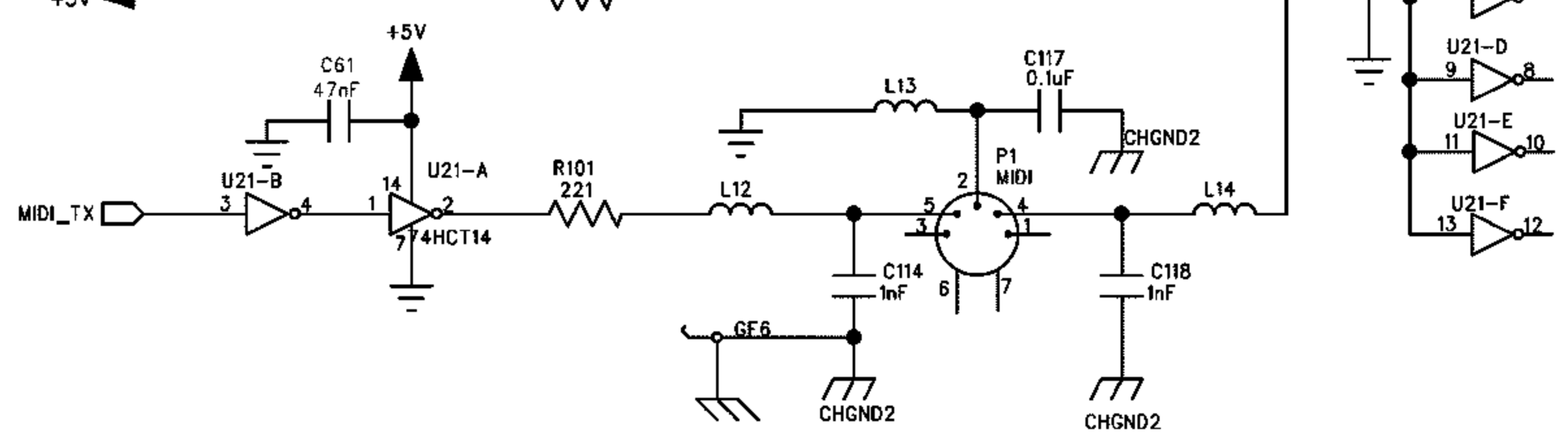


### MIDI INTERFACE

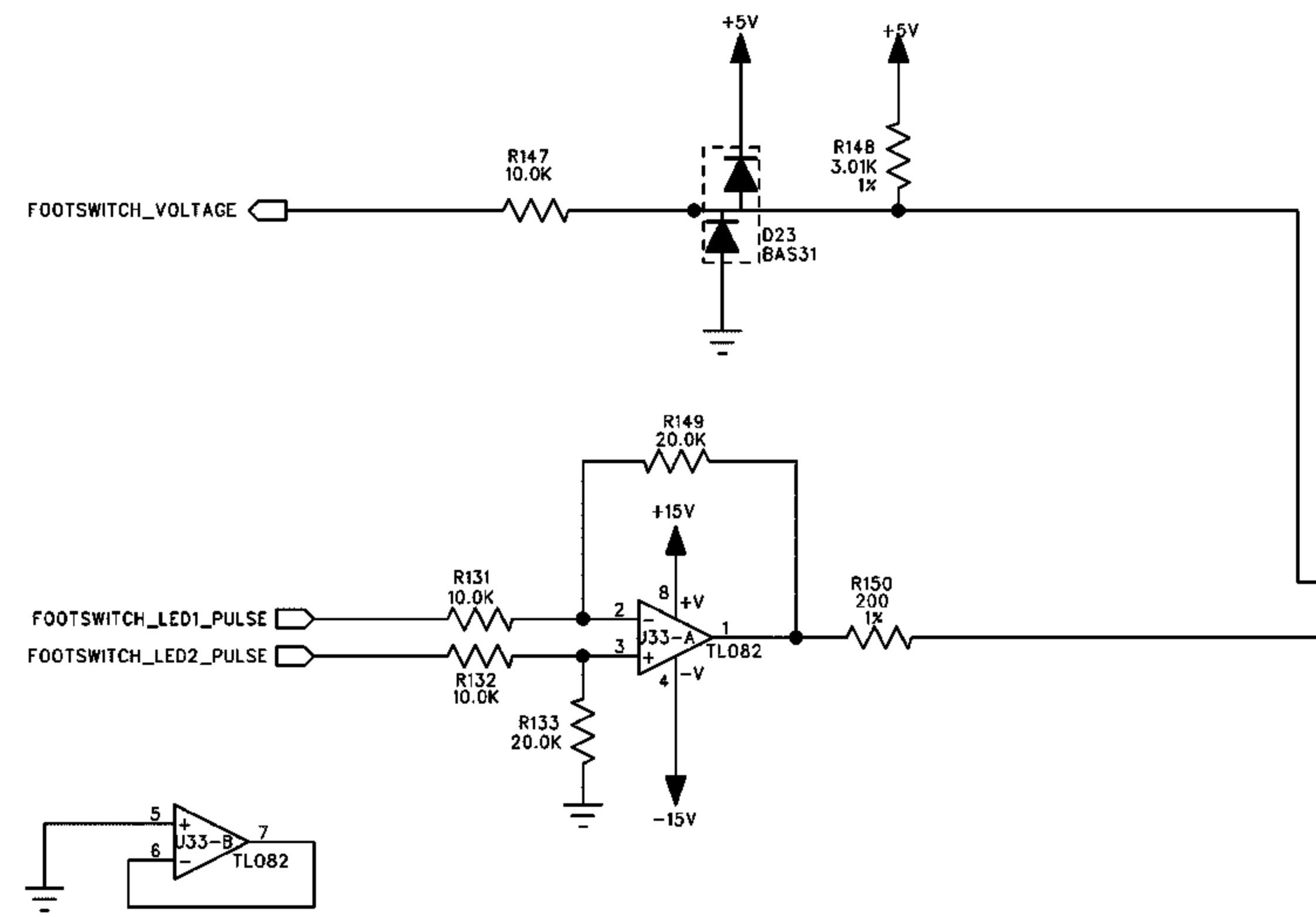
#### MIDI IN



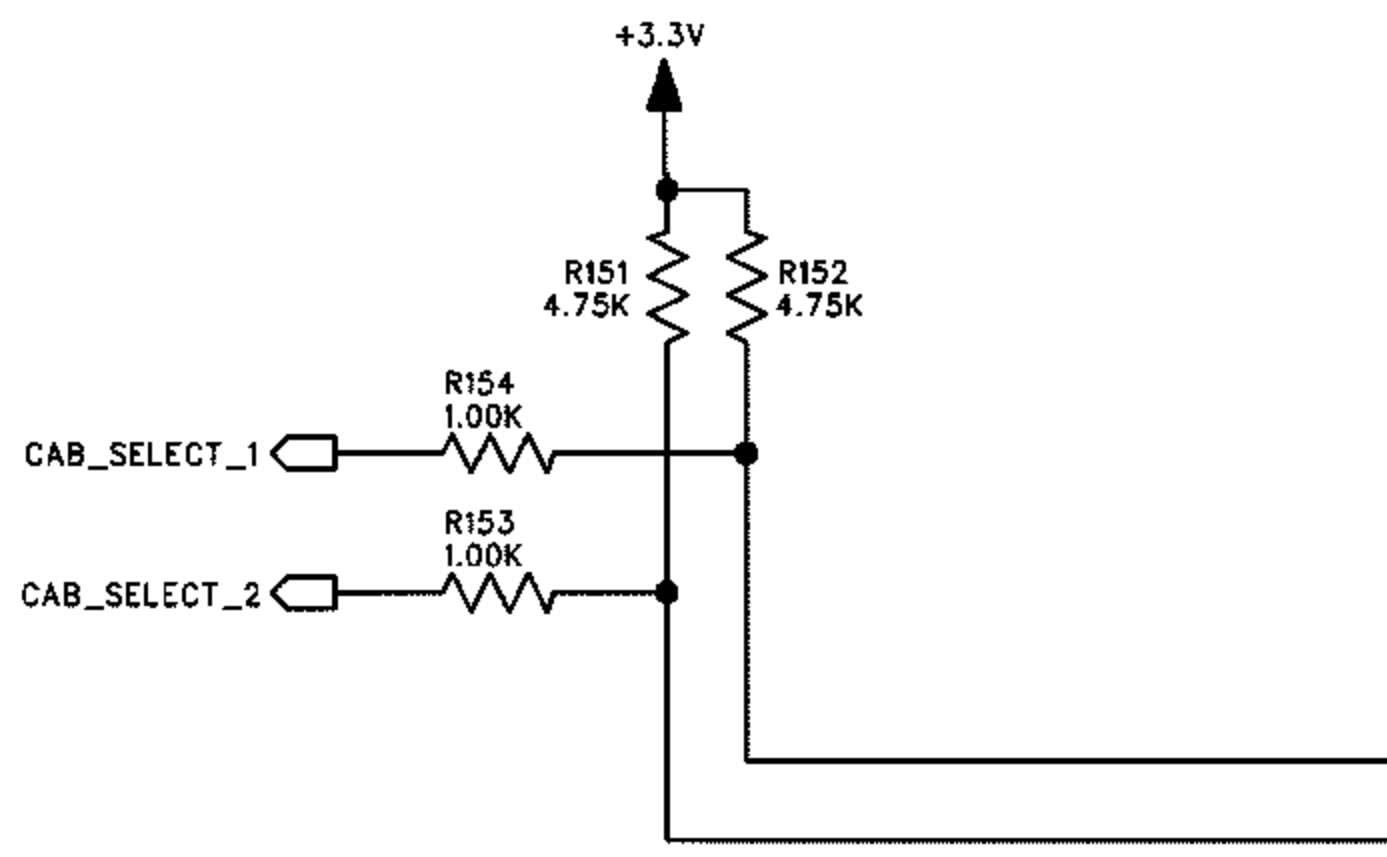
#### MIDI OUT



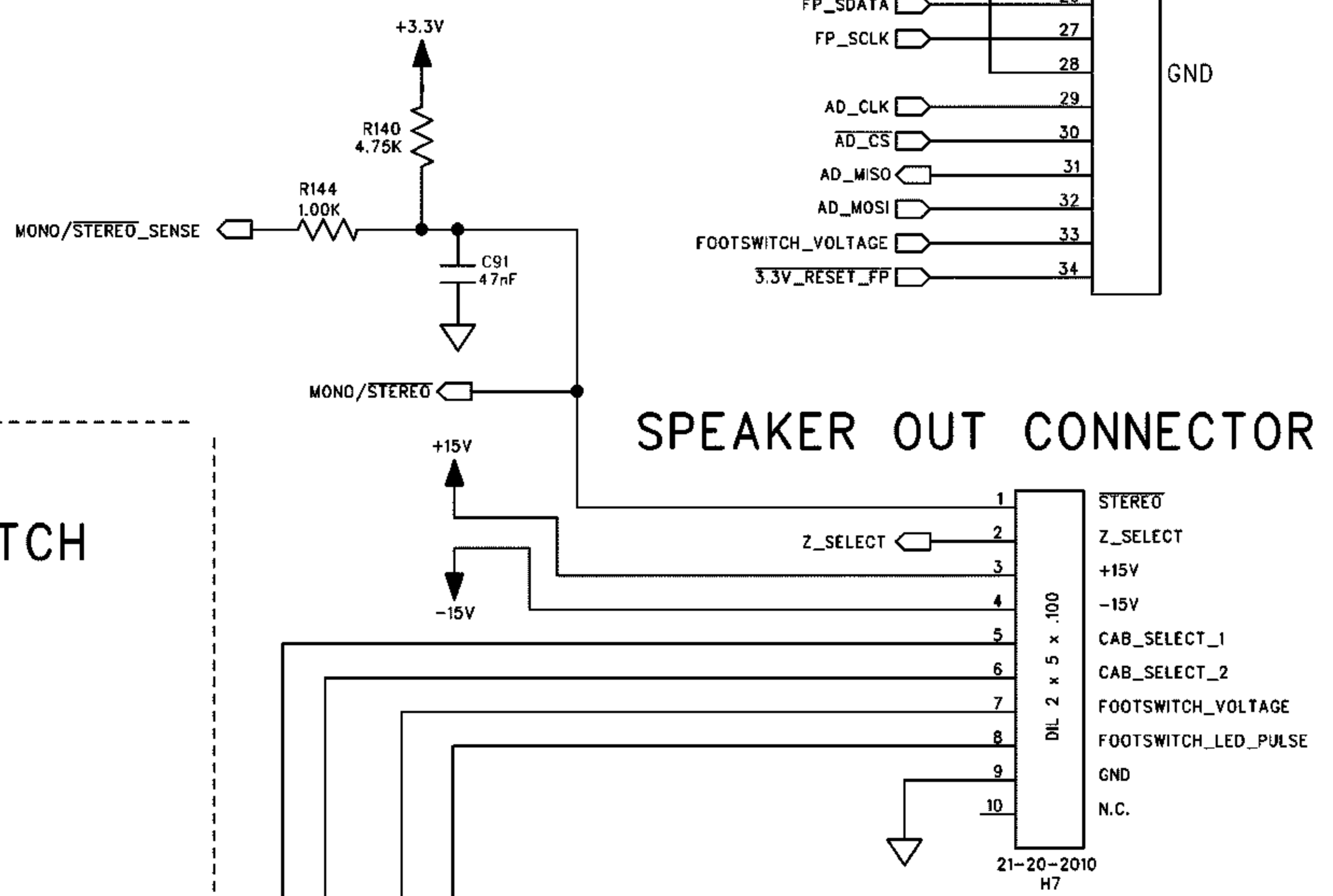
### FROM FOOTSWITCH JACK (2 switch / 2 LED)



### FROM CAB SELECT SWITCH



### SPEAKER OUT CONNECTOR



THE INFORMATION CONTAINED IN THIS DRAWING IS THE SOLE PROPERTY OF LINE 6 INC. ANY REPRODUCTION IN PART OR WHOLE WITHOUT THE WRITTEN PERMISSION OF LINE 6 INC. IS PROHIBITED

COMPANY:	<b>LINE 6</b>	
TITLE:	<b>SHARCTONE MAIN INTERFACE</b>	
PROGRAM:	<b>PADS POWER LOGIC V5.0</b>	REV: <b>E</b>
FILENAME:	/Sharctone Product Family/DUET 212 Combo/Electrical/ /Schematic/Main/REV E/SHARCTONE MAIN REV E.sch	
SCALE: 1:1	SIZE: C	PART NUMBER: 35-00-0121
		SHEET: 7 OF 7

DRAWN:	DATED:
D. BLACKMORE	3/29/2002
CHECKED:	DATED:
Name (F.Last)	00/00/01

6

5

4

3

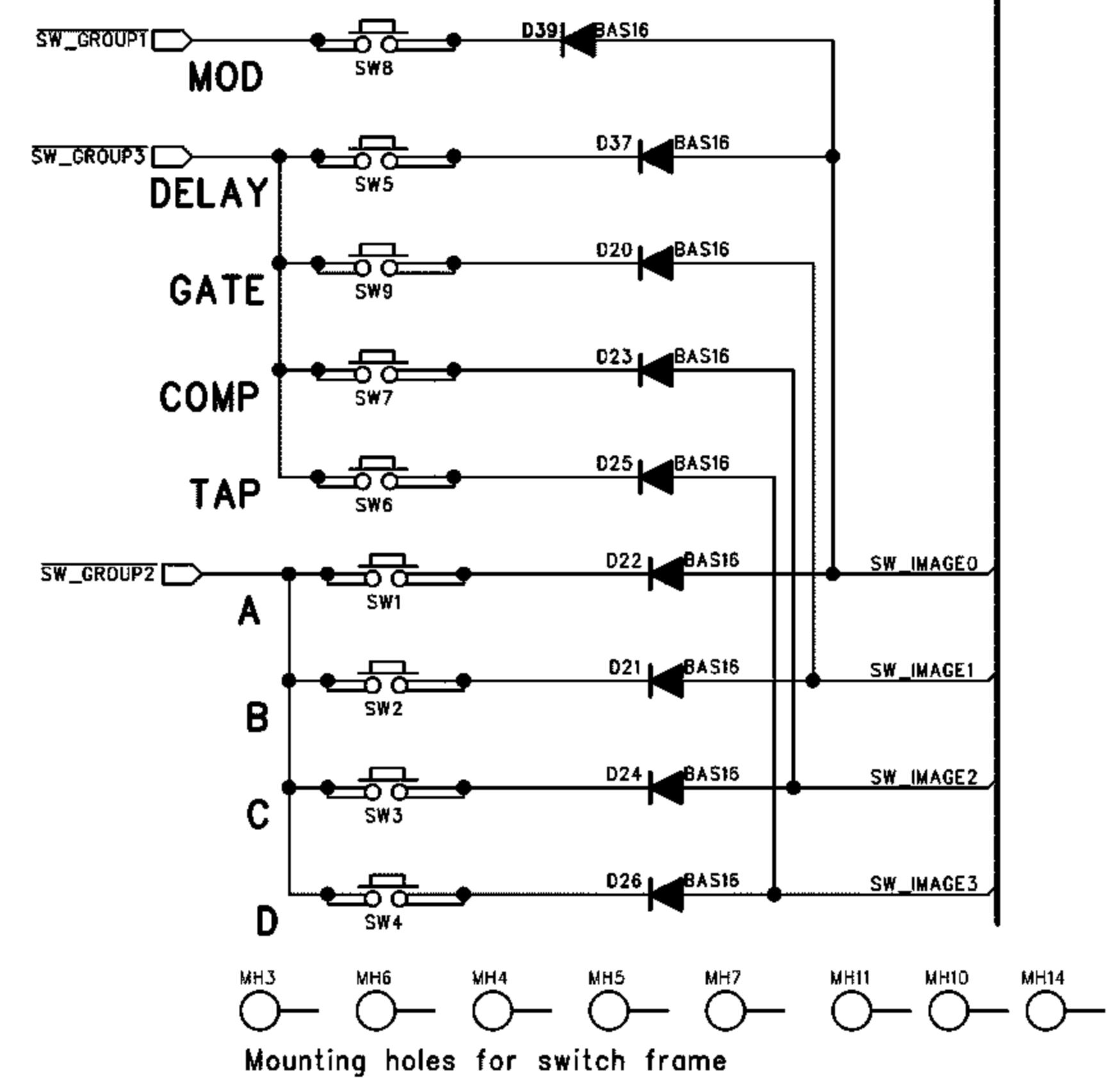
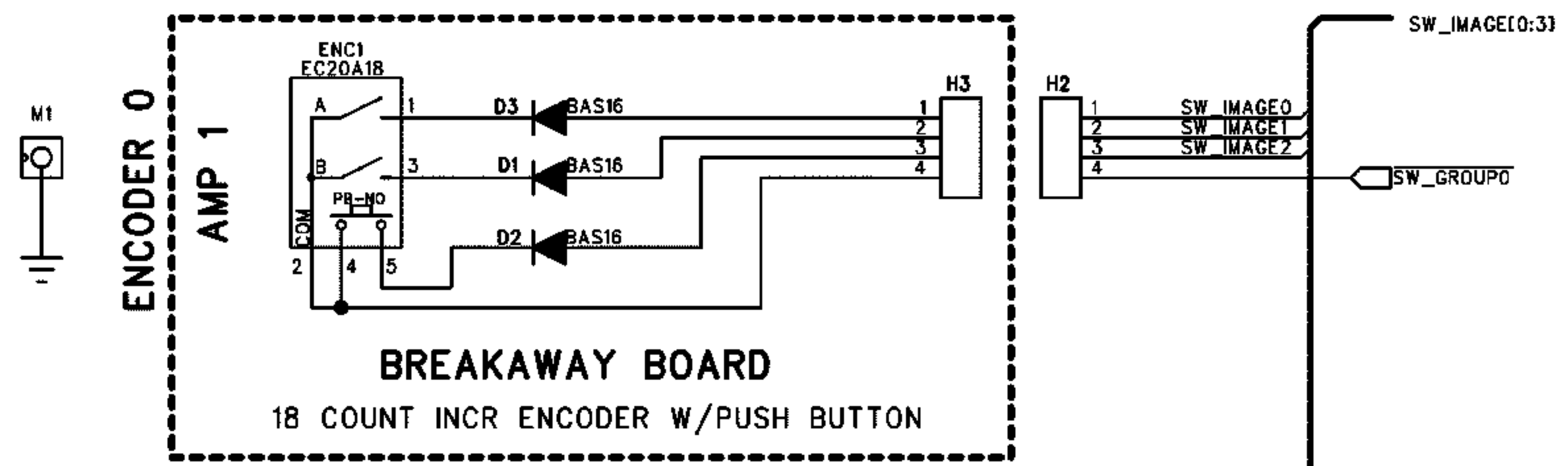
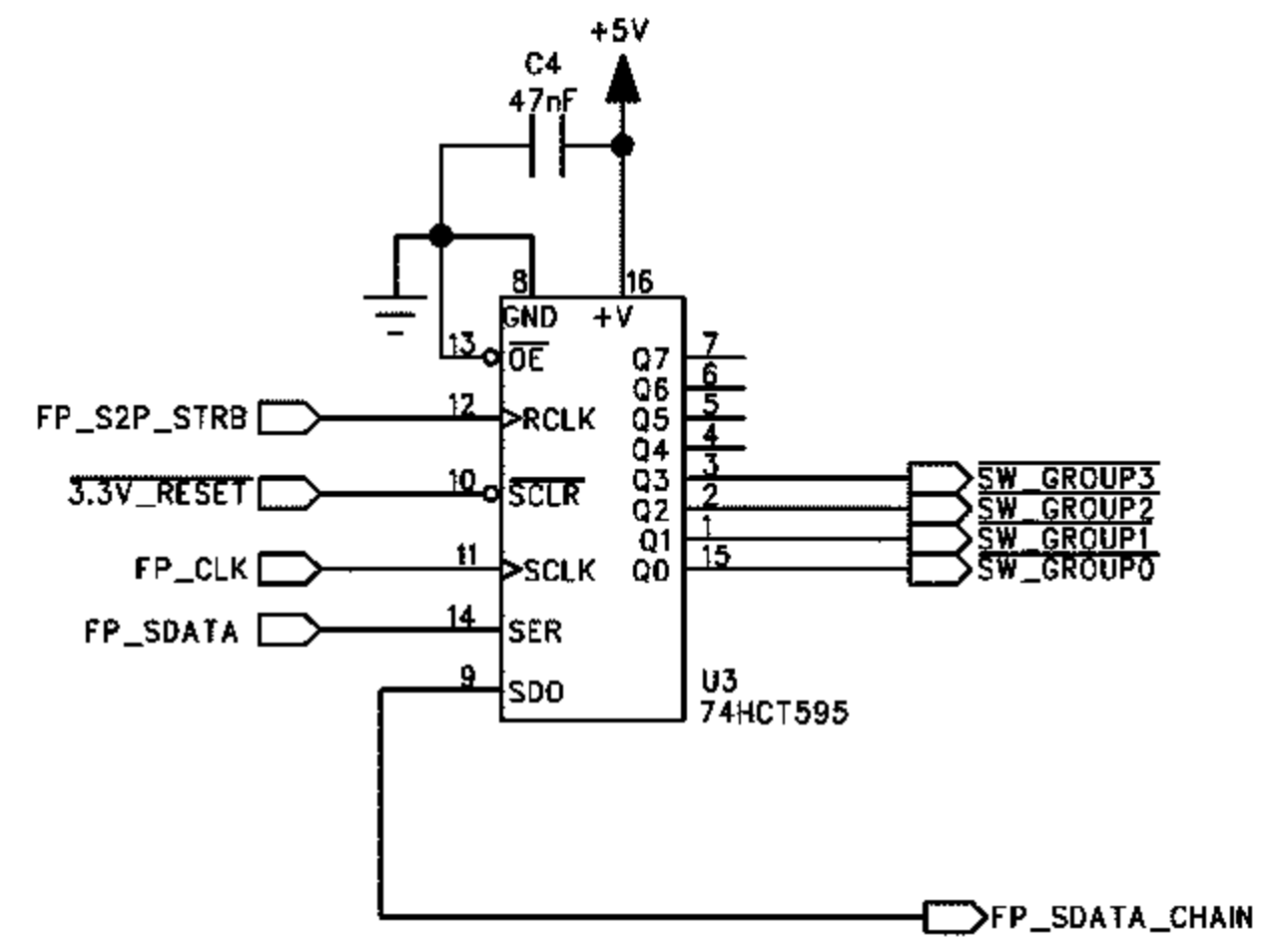
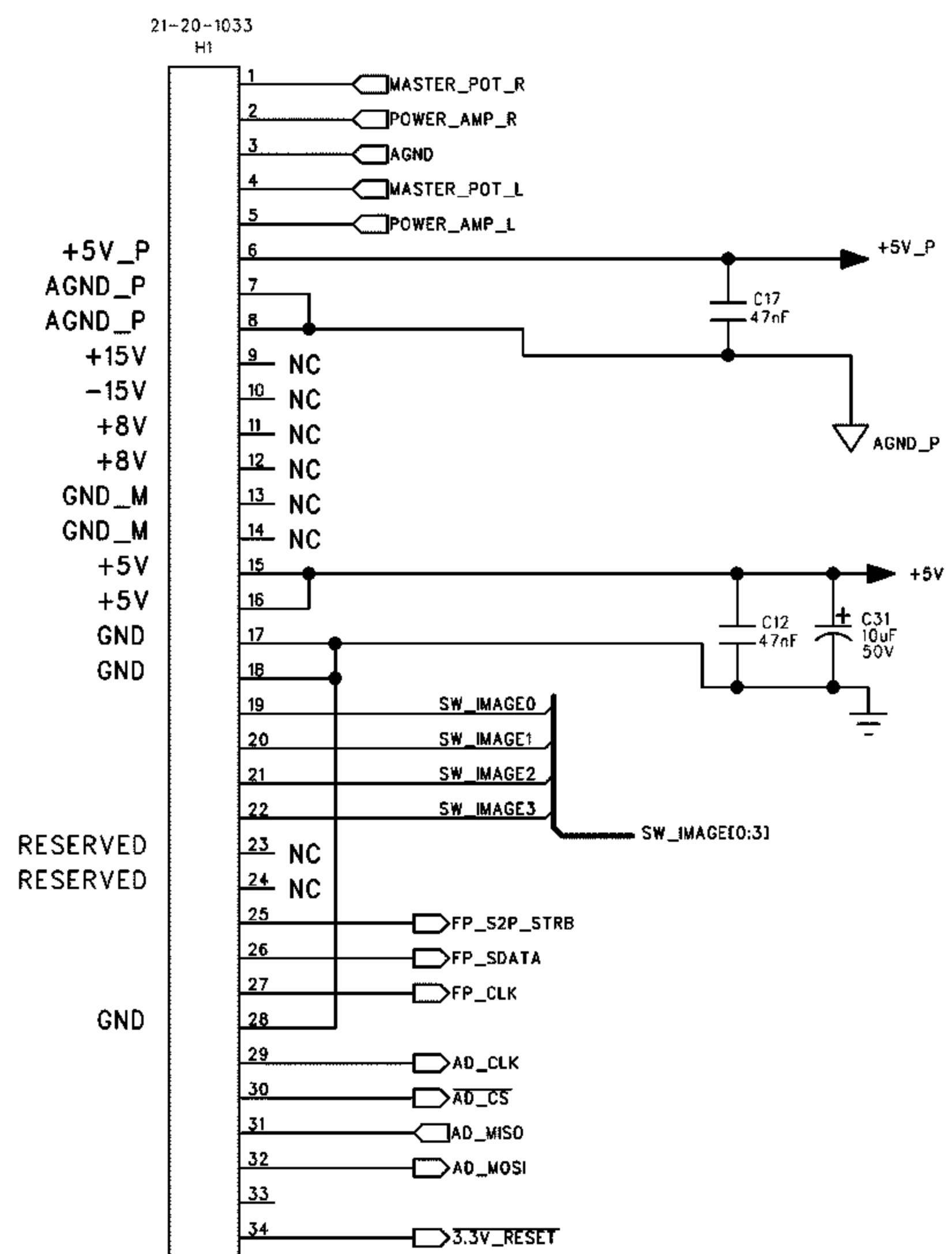
2

1

# SWITCHES AND ENCODERS

ECOs INCLUDED ON THIS SCHEMATIC/PCB REVISION		
ECO NO:	DATE:	DESCRIPTION:
0303006	01.30.03	RELEASED REV B

INTERFACE TO MAIN PCB



THE INFORMATION CONTAINED IN THIS DRAWING IS THE SOLE PROPERTY OF LINE 6 INC. ANY REPRODUCTION IN PART OR WHOLE WITHOUT THE WRITTEN PERMISSION OF LINE 6 INC. IS PROHIBITED.

COMPANY: **LINE 6 INC**

TITLE: **FT3 FRONT PANEL (Classic Series / Modern-HD)**

PROGRAM: **PADS POWER LOGIC V5.0**

FILENAME: /ShorcTone Product Family/ShorcTone 212 Combo/Electrical/ /Schematic/Front Panel/REV A/FT3 Front Panel REV A.sch

DRAWN: RP/DB	DATED: 5/20/02
CHECKED: Name (F.Last)	DATED: 00/00/01

SCALE: 1:1	SIZE: C	PART NUMBER: 35-00-0146	SHEET: 1 OF 3
------------	---------	-------------------------	---------------

D

C

B

A

D

C

B

A



6

5

4

3

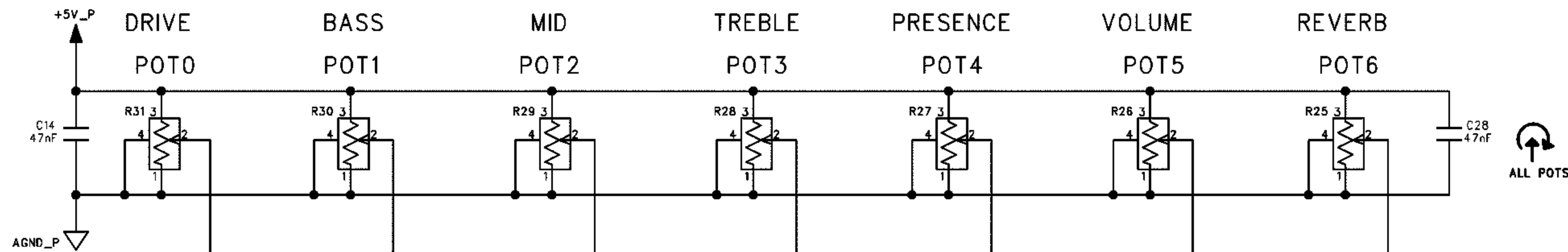
2

1

# POTENTIOMETERS

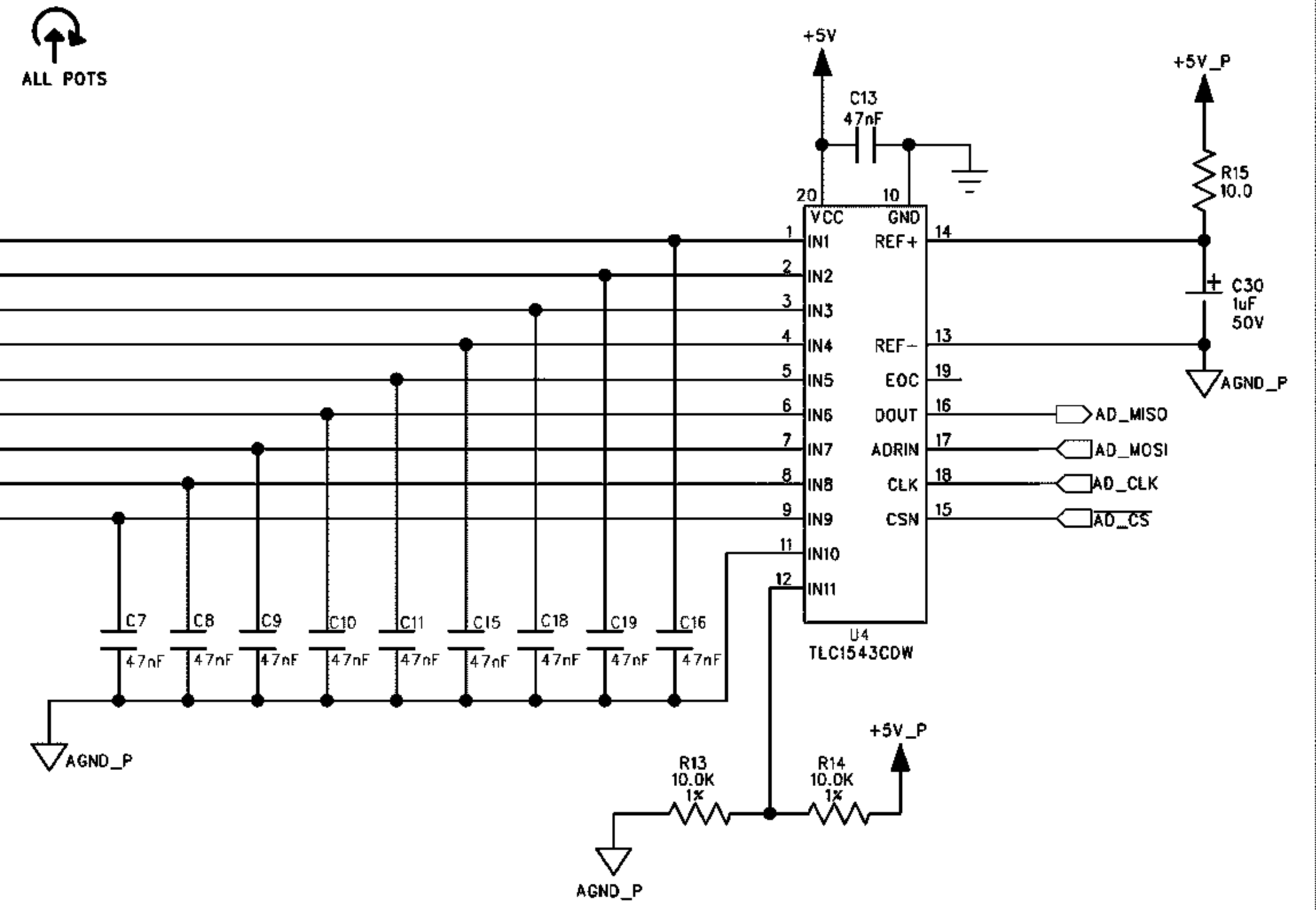
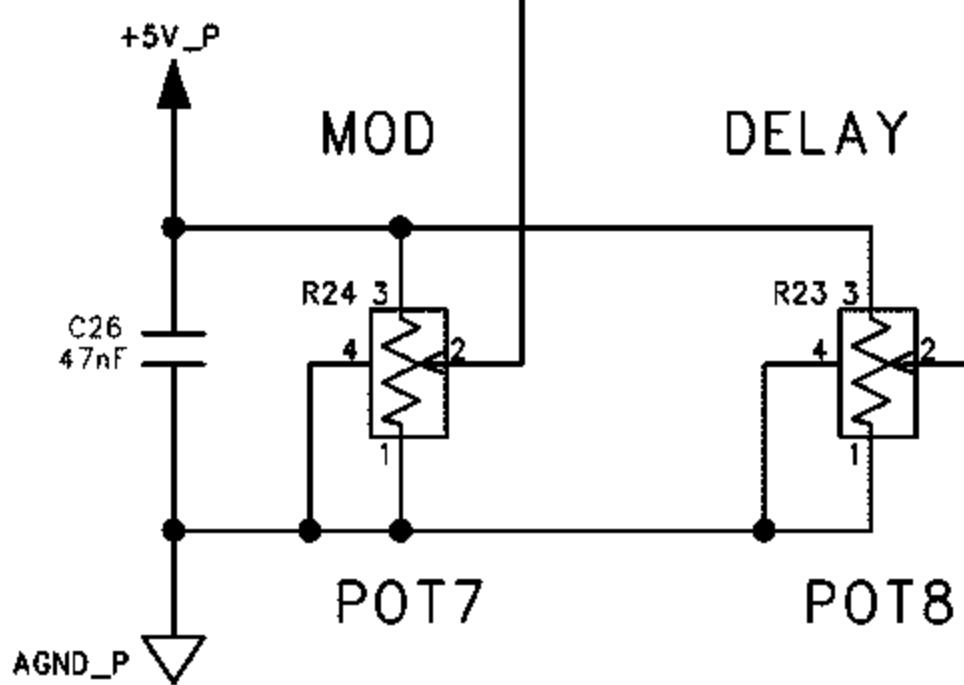
ECOs INCLUDED ON THIS SCHEMATIC/PCB REVISION		
ECO NO:	DATE:	DESCRIPTION:

D



ALL POTS

C

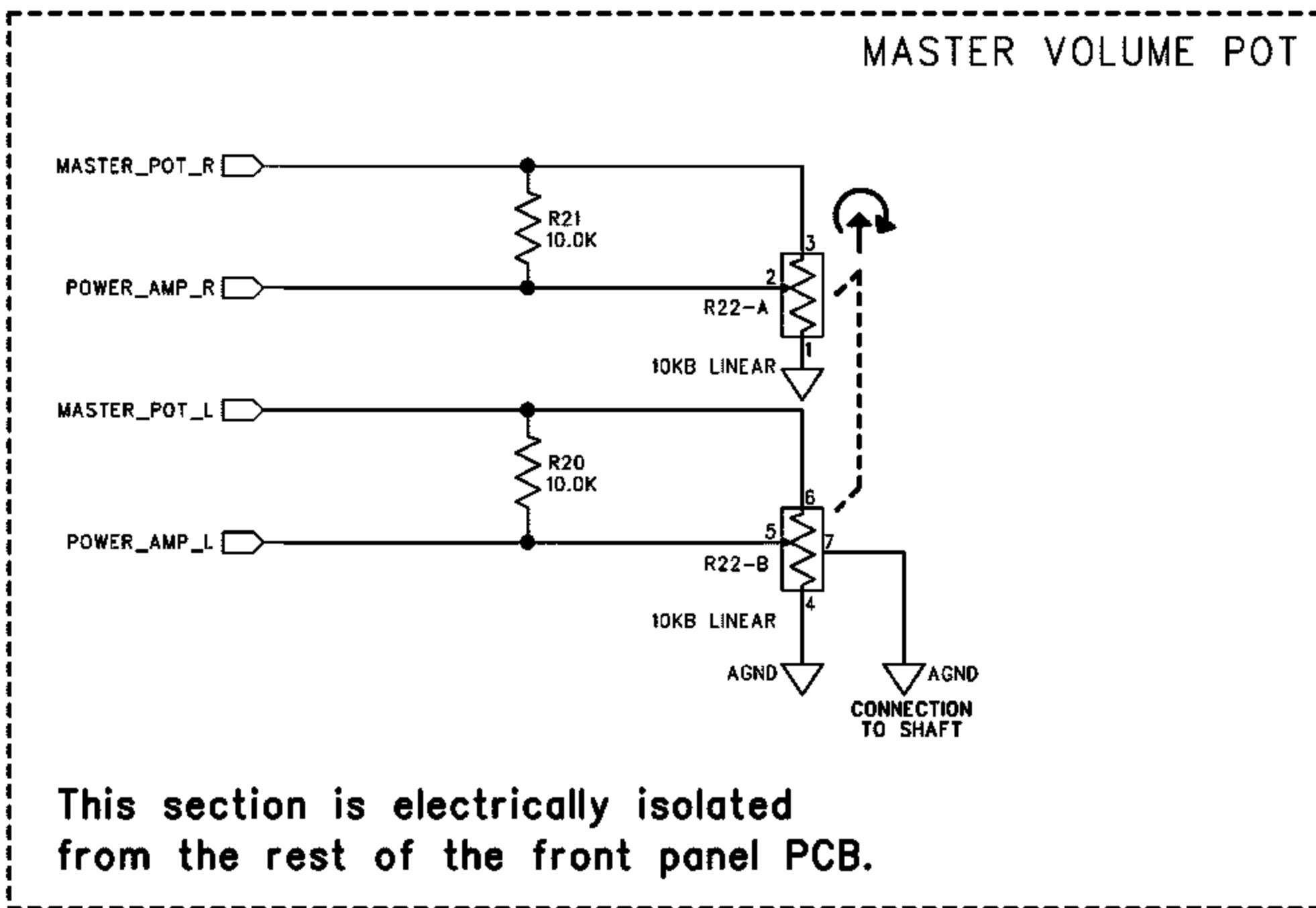


B

B

A

A



THE INFORMATION CONTAINED IN THIS DRAWING IS THE SOLE PROPERTY OF LINE 6 INC. ANY REPRODUCTION IN PART OR WHOLE WITHOUT THE WRITTEN PERMISSION OF LINE 6 INC. IS PROHIBITED

COMPANY:  LINE 6 INC	
TITLE: FT3 FRONT PANEL (Classic Series / Modern-HD)	
PROGRAM: PADS POWER LOGIC V5.0	REV: B
FILENAME: /Sharctone Product Family/Sharctone 212 Combo/Electrical/Schematic/Front Panel/REV A/FT3 Front Panel REV A.sch	
SCALE: 1:1	SIZE: C
PART NUMBER: 35-00-0146	SHEET: 2 OF 3

DRAWN: RP/DB	DATED: 5/20/02
CHECKED: Name (F.Last)	DATED: 00/00/01

6

5

4

3

2

1

# FRONT PANEL LEDs

# ENCODER LEADS

ECOs INCLUDED ON THIS SCHEMATIC/PCB REVISION		
ECO NO:	DATE:	DESCRIPTION:

D

D

C

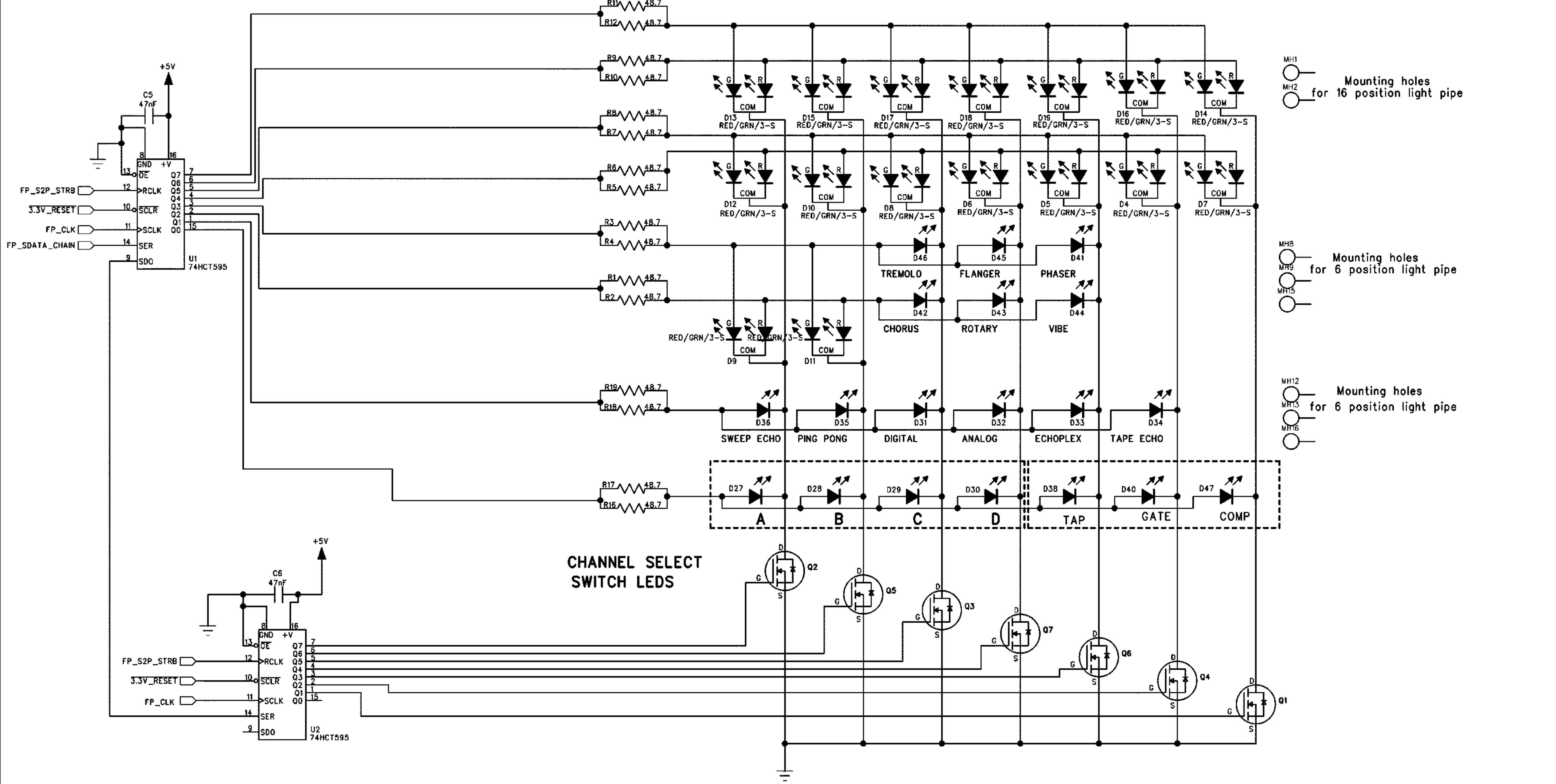
C

B

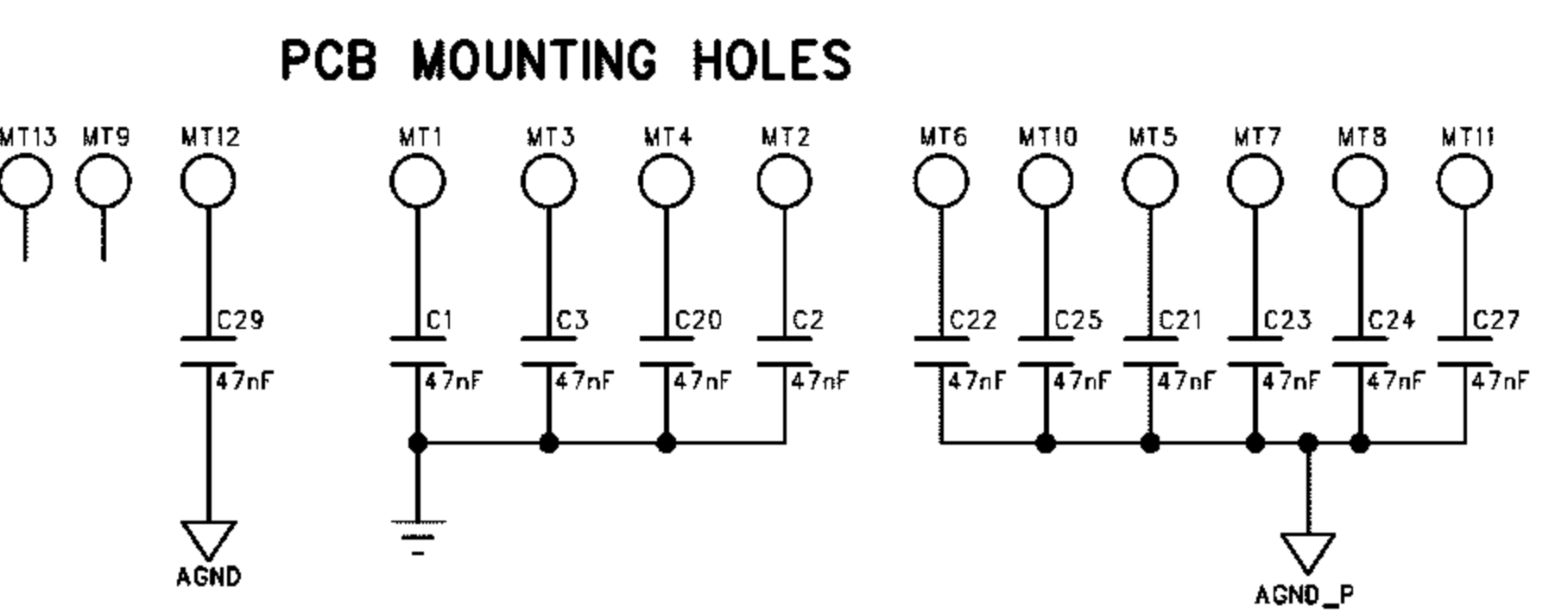
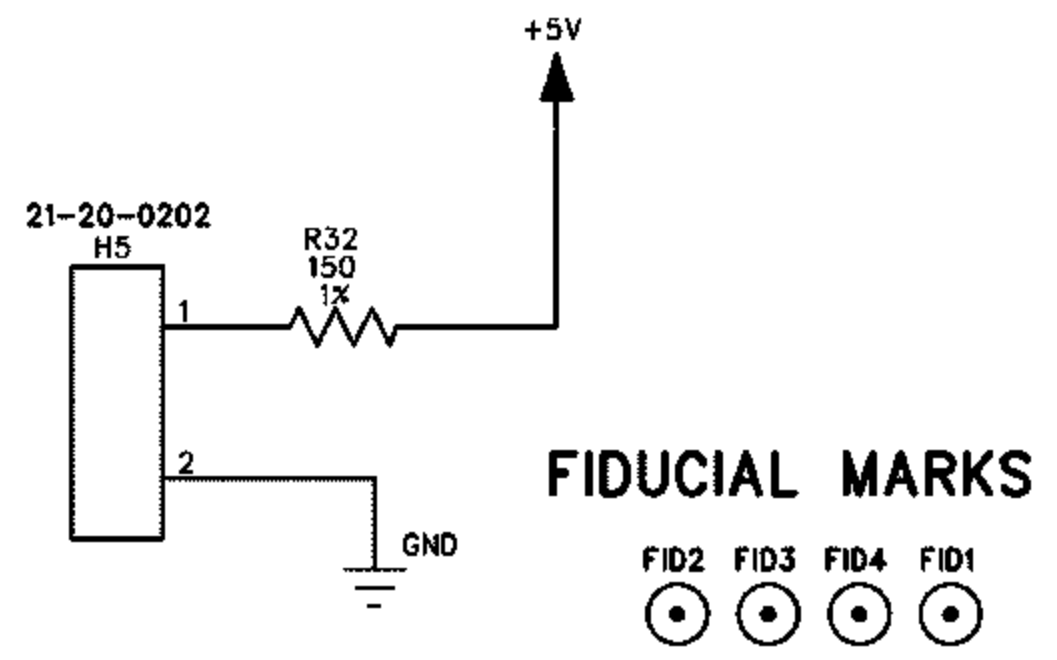
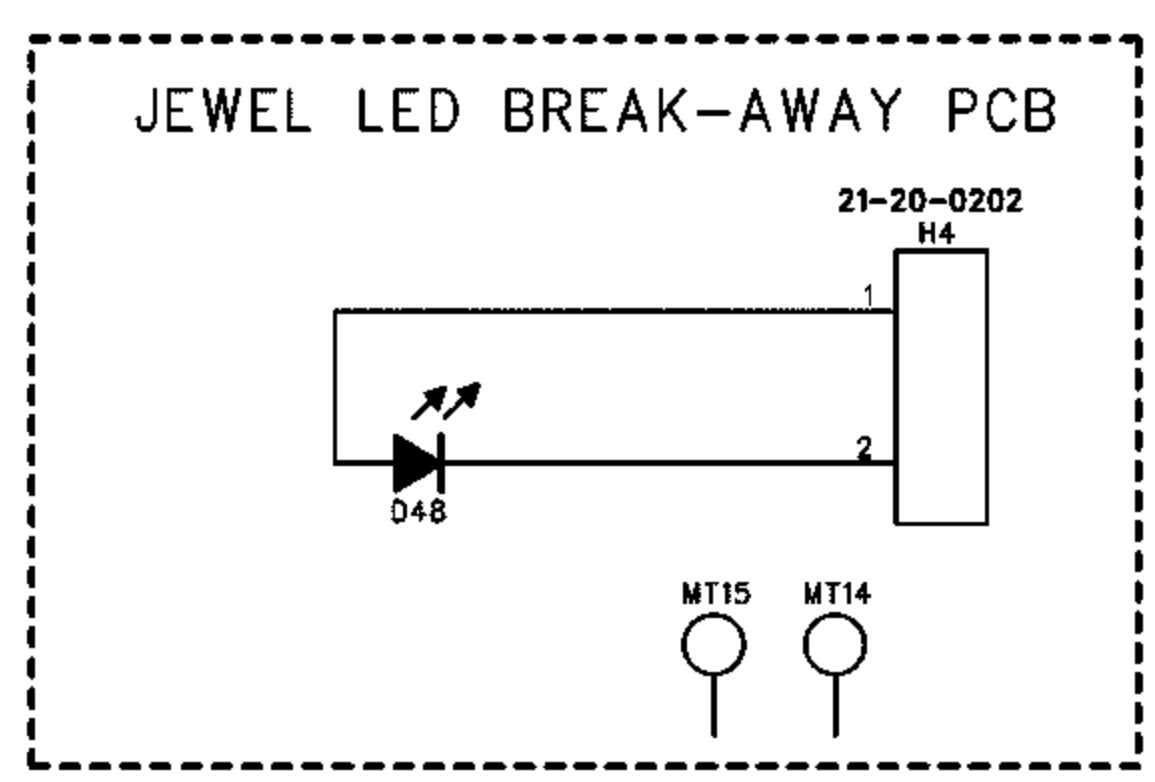
B

A

A



- MH1  
MH2  
for 16 position light pipe
- MH8  
MH9  
MH15  
for 6 position light pipe
- MH12  
MH13  
MH16  
for 6 position light pipe



THE INFORMATION CONTAINED IN THIS DRAWING IS THE SOLE PROPERTY OF LINE 6 INC. ANY REPRODUCTION IN PART OR WHOLE WITHOUT THE WRITTEN PERMISSION OF LINE 6 INC. IS PROHIBITED

COMPANY:	LINE 6
TITLE:	FT3 FRONT PANEL (Classic Series / Modern-HD)
PROGRAM:	PADS POWER LOGIC V5.0
FILENAME:	/SharcTone Product Family/SharcTone 212 Combo/Electrical/ /Schematic/Front Panel/REV A/FT3 Front Panel REV A.sch
SCALE: 1:1	SIZE: C
PART NUMBER: 35-00-0146	SHEET: 3 OF 3

DRAWN:	G. STOCK/DB	DATED:	5/20/02
CHECKED:	Name (F.Last)	DATED:	00/00/01

REV: B

6

5

4

3

2

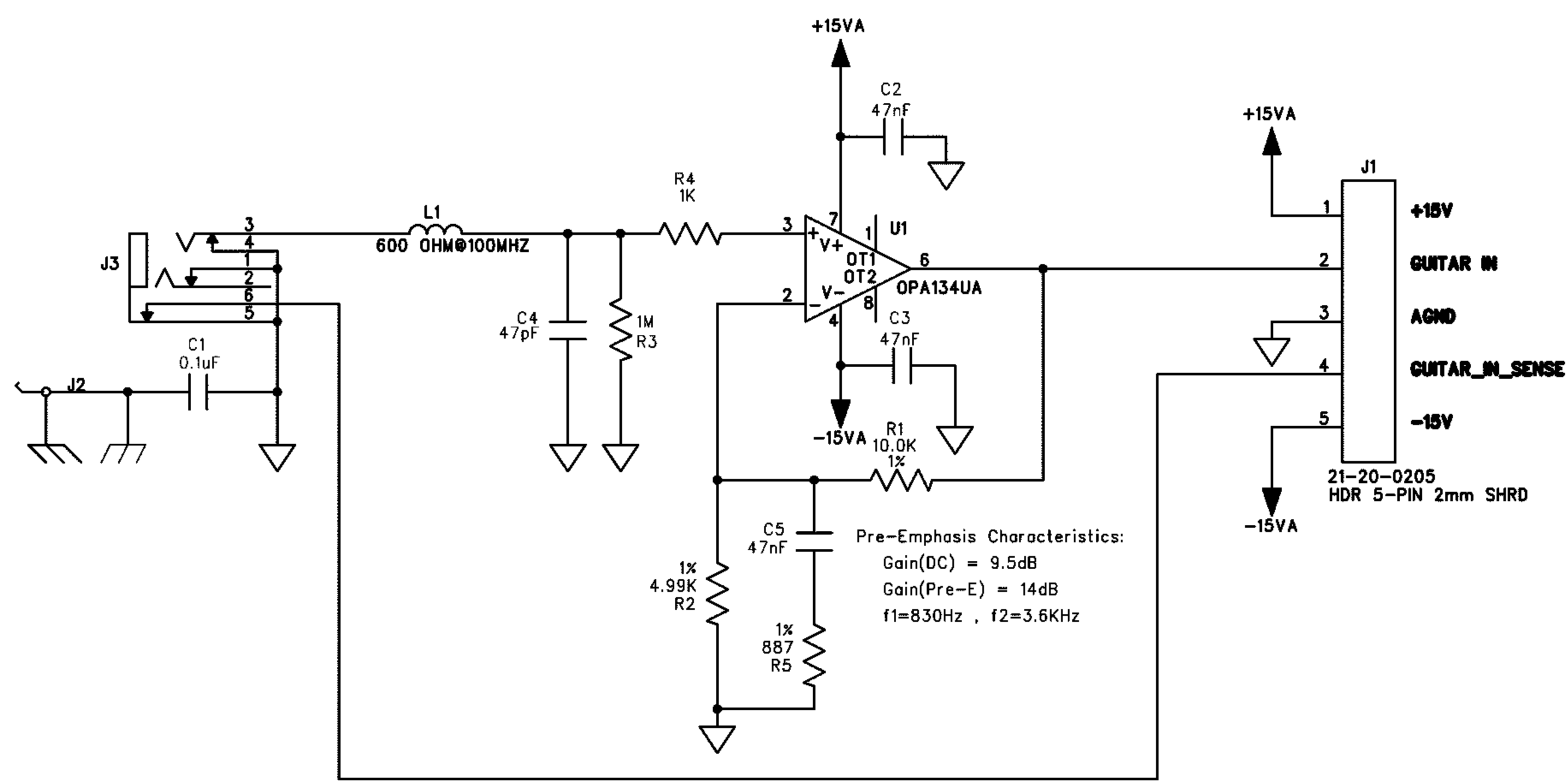
1

REVISION RECORD

LTR	ECO NO:	APPROVED:	DATE:

PER ECO# 223903 - CORRECTED PCB SOLDER MASK PROBLEM

# GUITAR INPUT PCB



COMPANY:		LINE 6	
TITLE: DUET GUITAR INPUT PCB			
PROGRAM: PADS POWER LOGIC V4.0			REV: C
FILENAME: SHARCTONE Product Family/DUET 212 Combo/Electrical/ /Schematic/GUITAR IN/REV C/DUET GUITAR IN REV C.SCH			
SCALE: 1:1	SIZE: B	PART NUMBER: 35-00-0169	SHEET: 1 OF 1

DRAWN: D. Blackmore	DATED: Date 7/10/02
CHECKED: Initials	DATED: Date

D

D

C

C

B

B

A

A

6

5

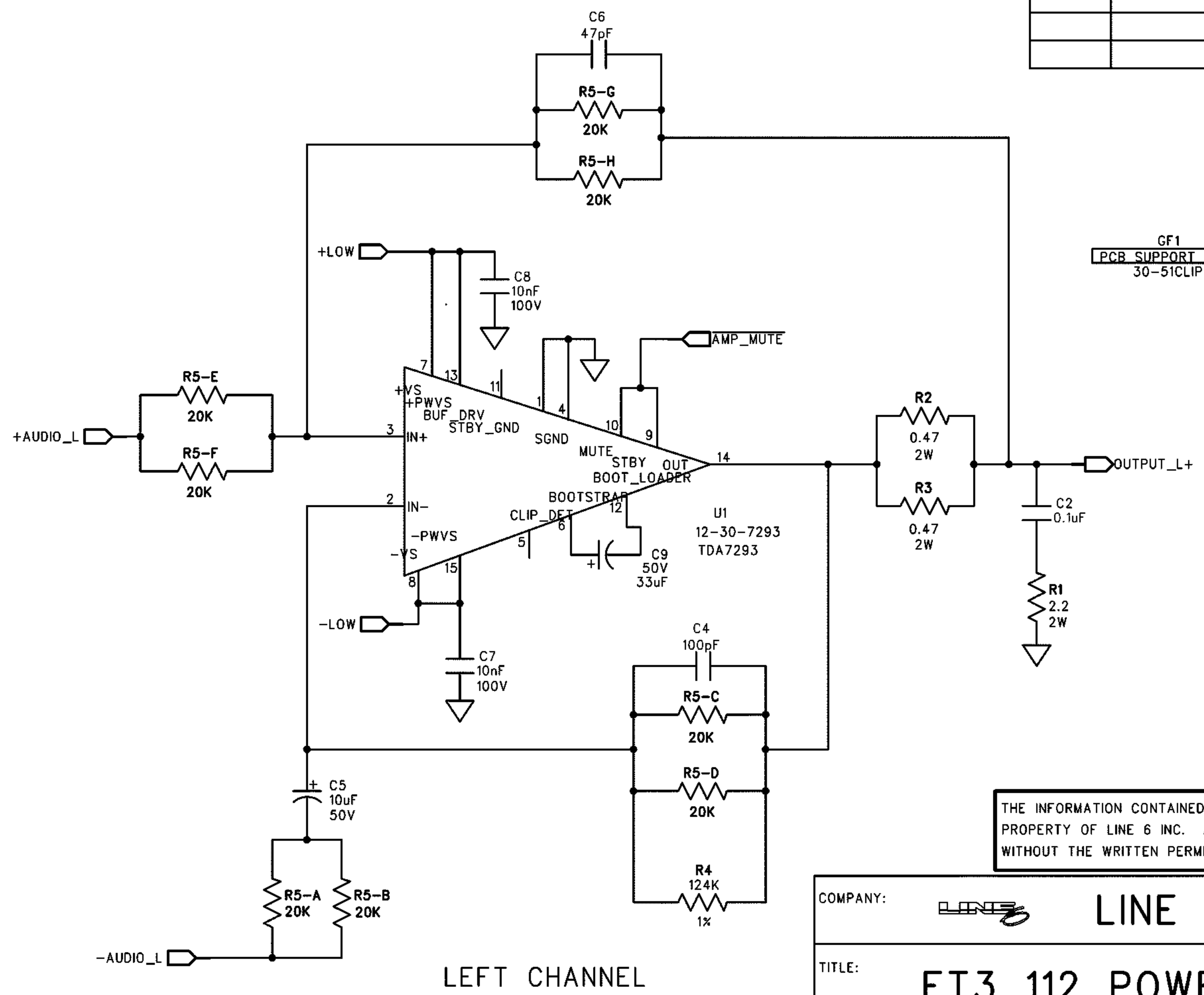
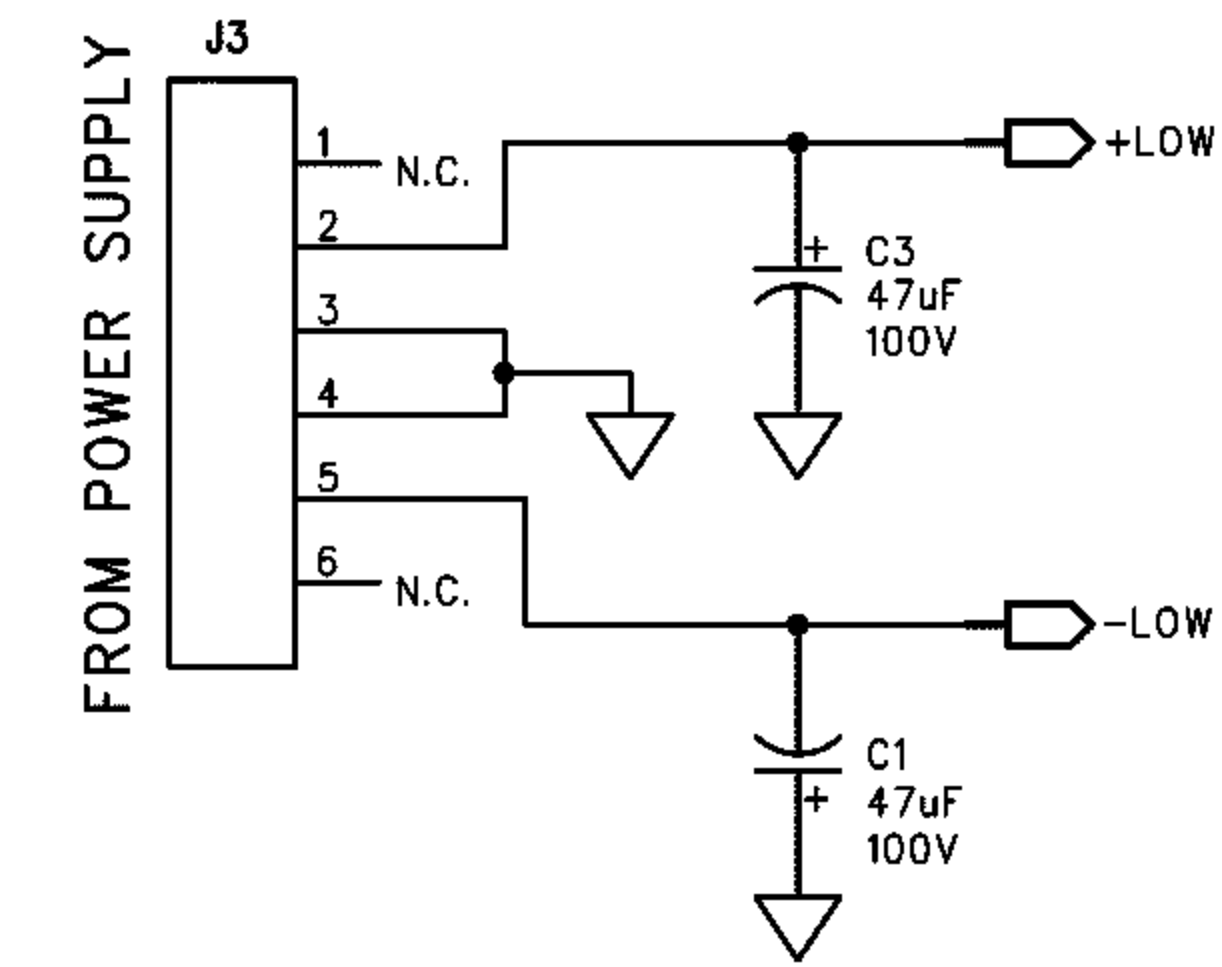
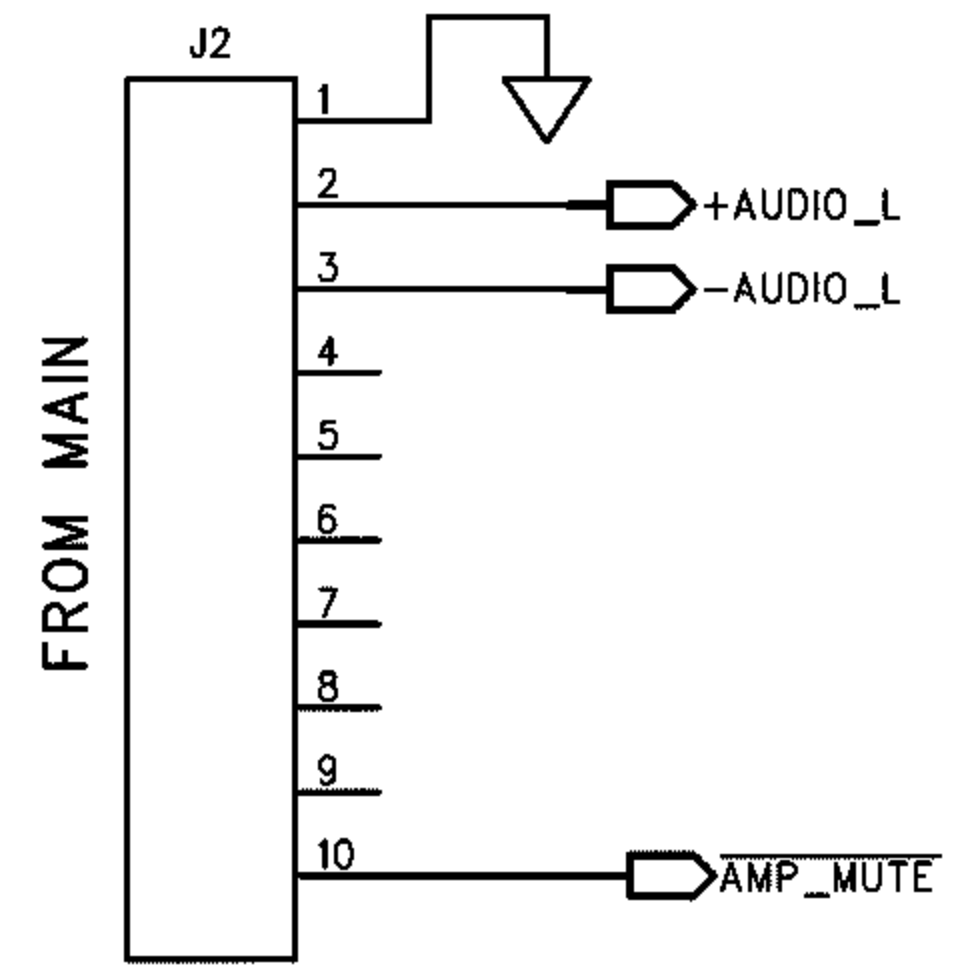
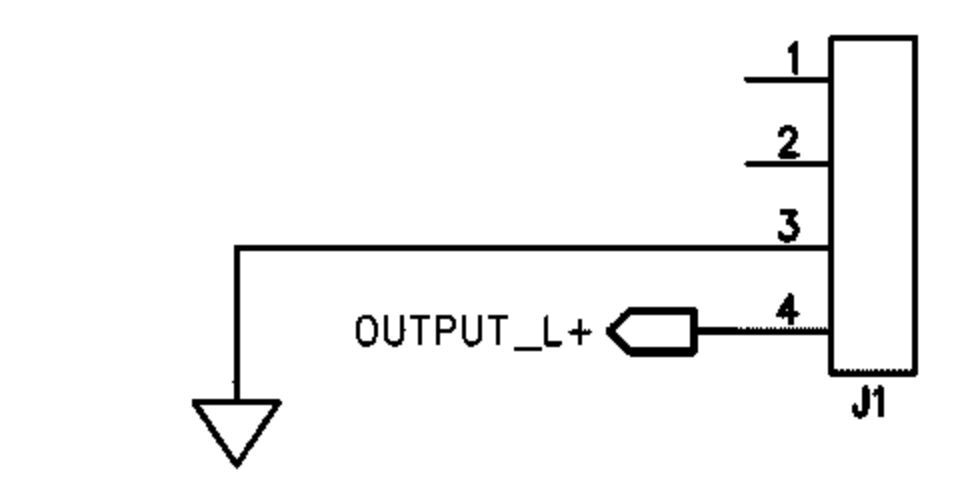
4

3

2

1

REVISION RECORD			
LTR	ECO NO:	DESCRIPTION	DATE:
A	0229801	RELEASE REV A	10.25.02



THE INFORMATION CONTAINED IN THIS DRAWING IS THE SOLE PROPERTY OF LINE 6 INC. ANY REPRODUCTION IN PART OR WHOLE WITHOUT THE WRITTEN PERMISSION OF LINE 6 INC. IS PROHIBITED

COMPANY:  LINE 6	
TITLE: FT3 112 POWER AMP (SHARCTONE 112 COMBO)	
PROGRAM: PADS POWER LOGIC V5.0	REV: A
FILENAME: /Sharctone Product Family/Sharctone 112 Combo/Electrical/ Schematic/Power Amp/Rev A/FT3 112 Power Amp Rev A.sch	
SCALE: 1:1 SIZE: B	PART NUMBER: 35-00-0162
SHEET: 1 OF 1	

DRAWN: T.B.	DATED: 10-17-02
CHECKED: Initials	DATED: Date

LEFT CHANNEL

6

5

4

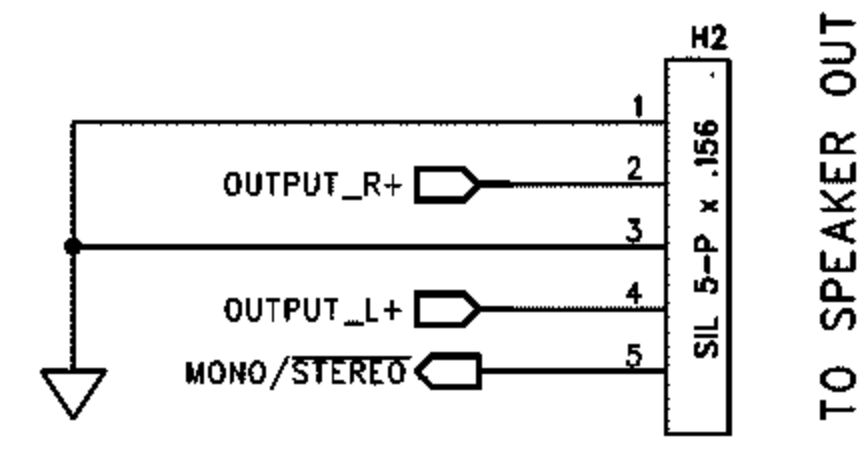
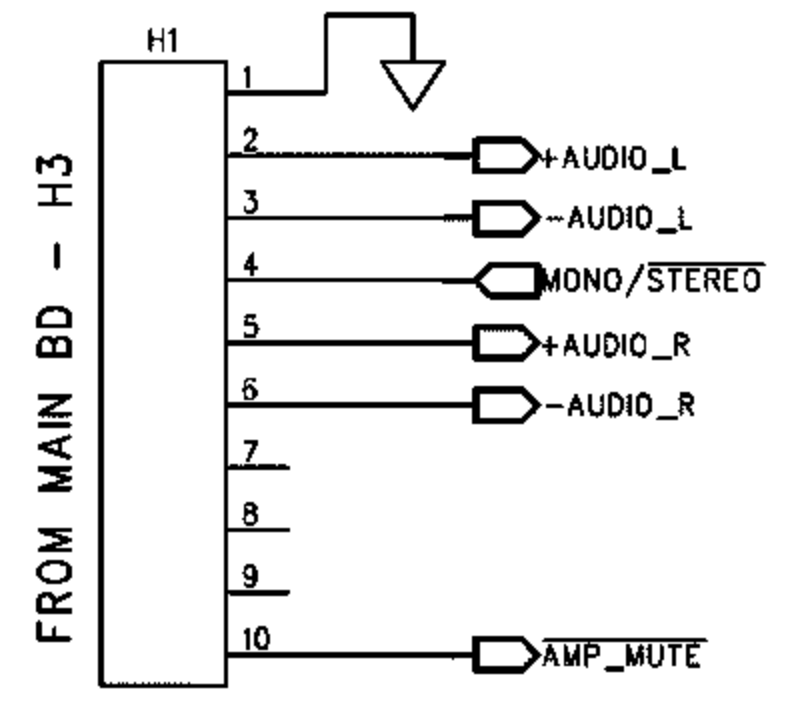
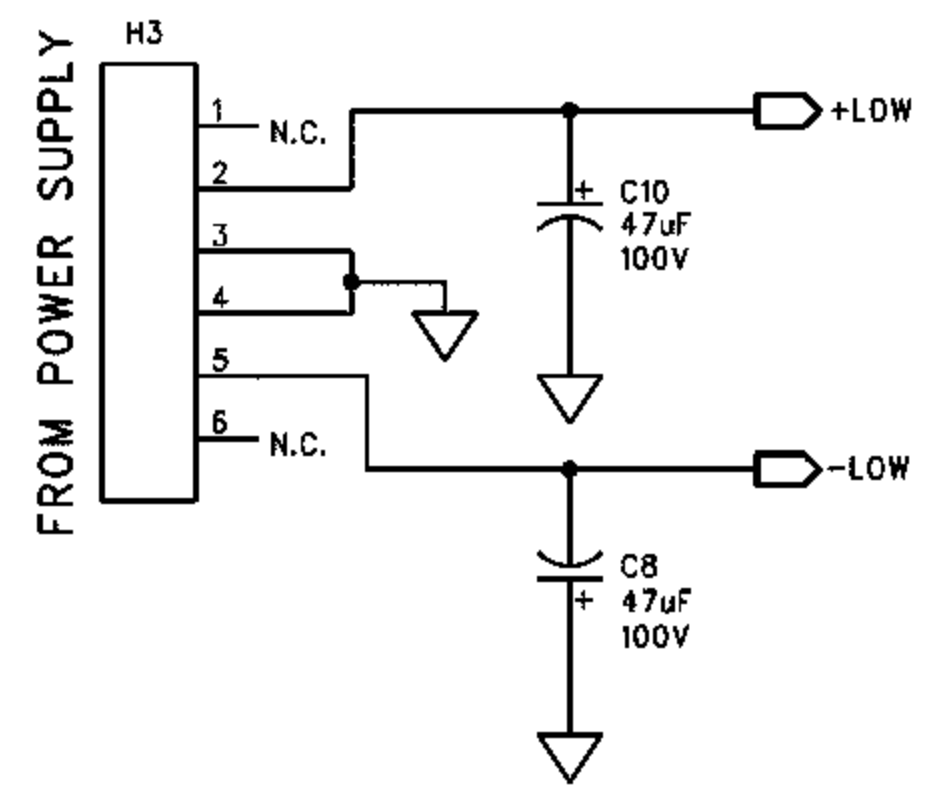
3

2

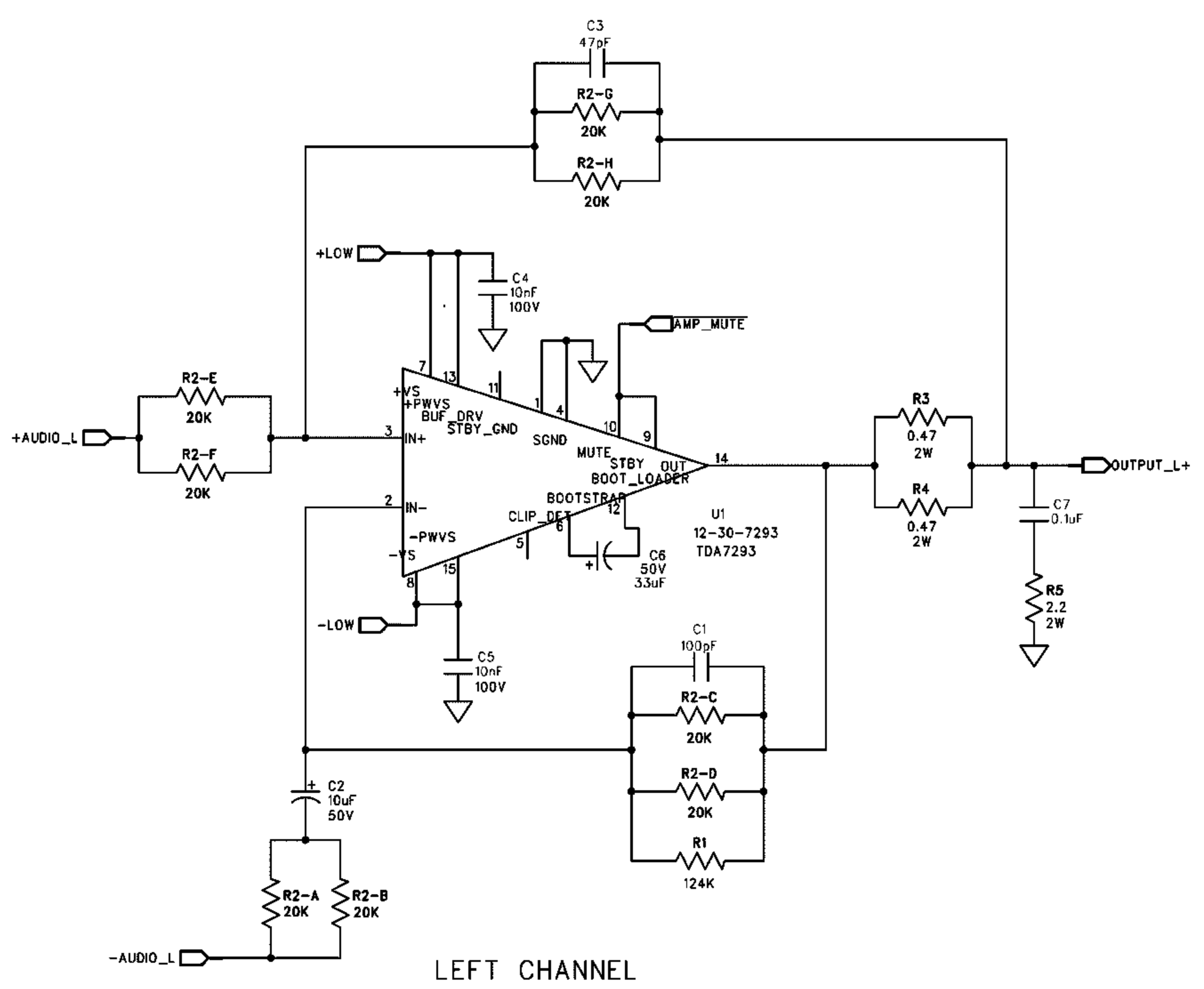
1

ECOs INCLUDED ON THIS SCHEMATIC/PCB REVISION		
ECO NO:	DATE:	DESCRIPTION:

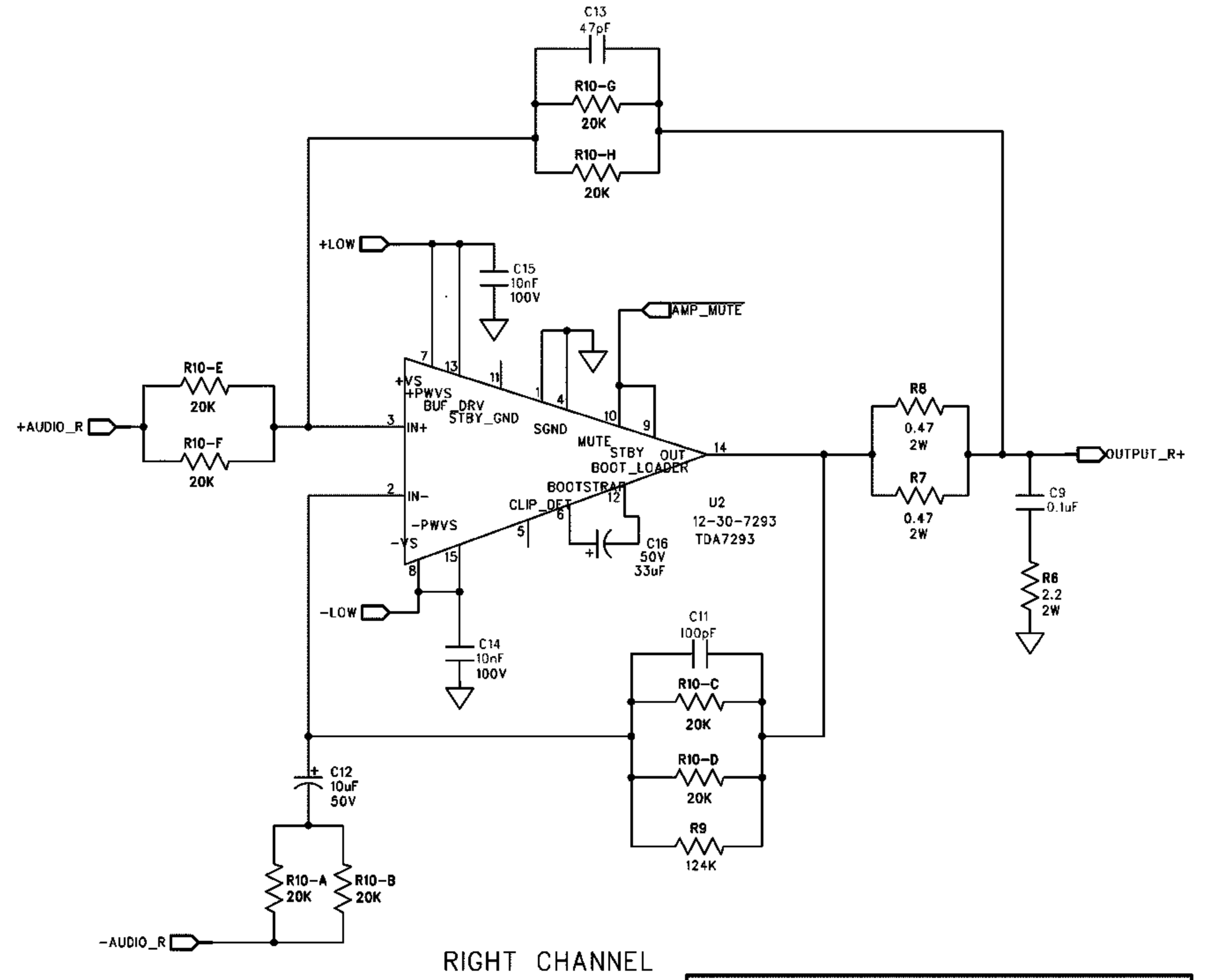
H3 CHANGED TO 5 PIN & STEREO SENSE ADDED TO PIN 5  
 TO MAKE IT COMPATIBLE WITH CLASSIC SERIES  
 REV X2 CHANGED TO REV A FOR PRODUCTION RELEASE  
 CONNECT PIN 9 TO 10 ON PWR AMP IC. RELEASE AS  
 REV B PER ECO # 223101



BR1  
 PCB SUPPORT CLIP  
 30-51-0105



LEFT CHANNEL



RIGHT CHANNEL

THE INFORMATION CONTAINED IN THIS DRAWING IS THE SOLE PROPERTY OF LINE 6 INC. ANY REPRODUCTION IN PART OR WHOLE WITHOUT THE WRITTEN PERMISSION OF LINE 6 INC. IS PROHIBITED

COMPANY: **LINE 6**

TITLE: **DUET POWER AMP**

PROGRAM: **PADS POWER LOGIC V4.0**

DRAWN: T. BURTON  
 CHECKED:   
 DATED: 6/5/02  
 DATED:   
 Date

FILENAME: G:/CLIENTS/FFD/Sharctone Product Family/Duet/Electrical/ /Schematic/Power Amp/Rev B/Power Amp Rev B.sch  
 SCALE: 1:1 SIZE: C PART NUMBER: 35-00-0123 SHEET: 1 OF 1

REV: **B**

6

5

4

3

2

1

ECOs INCLUDED ON THIS SCHEMATIC/PCB REVISION		
ECO NO:	DATE:	DESCRIPTION:
0229801	10.25.02	REV A RELEASED
0302702	01.27.03	Corrected Fuse Ratings - Saved as rev.A1

D

D

C

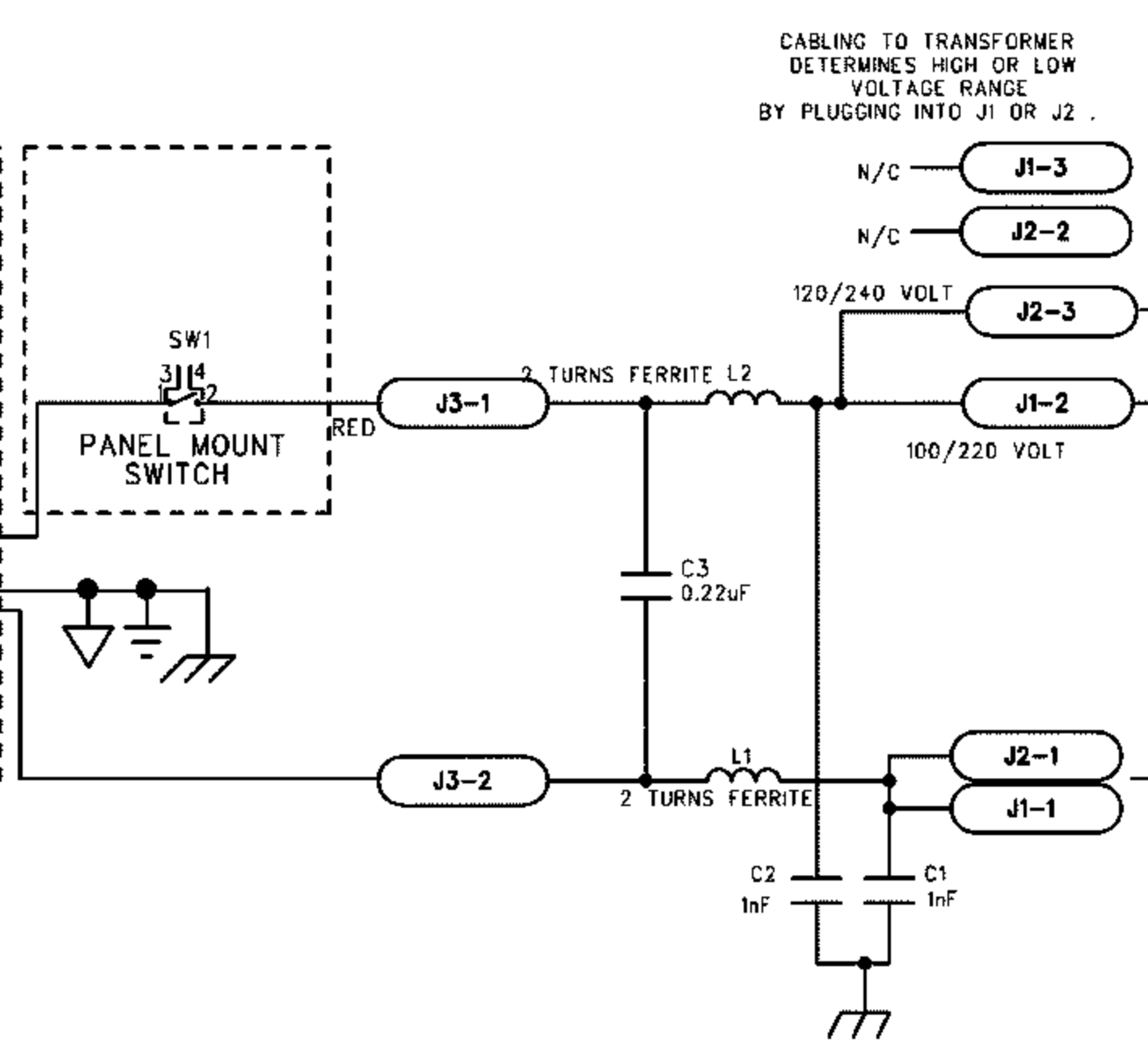
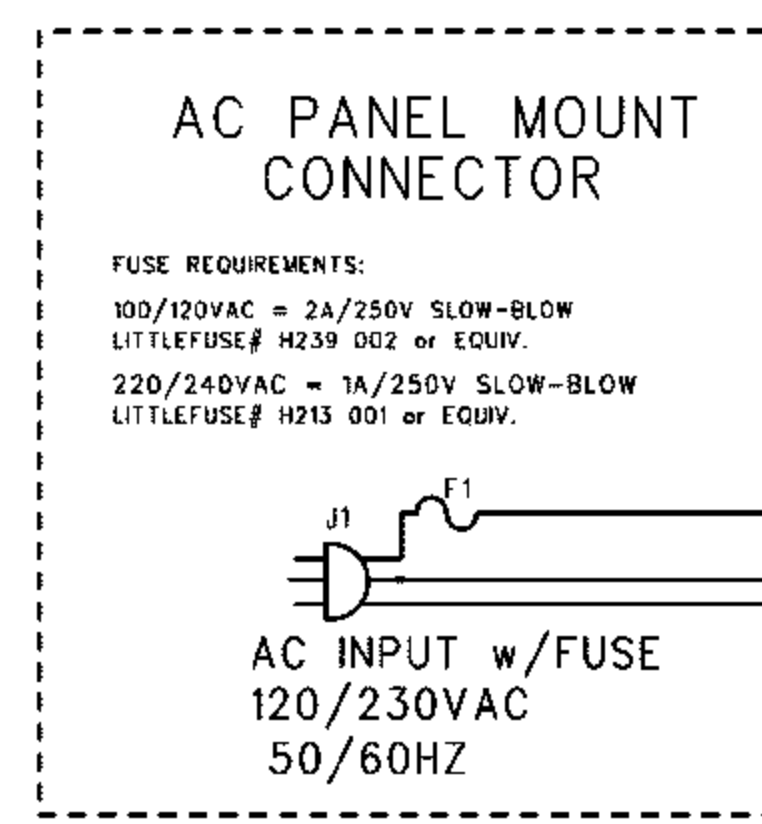
C

B

B

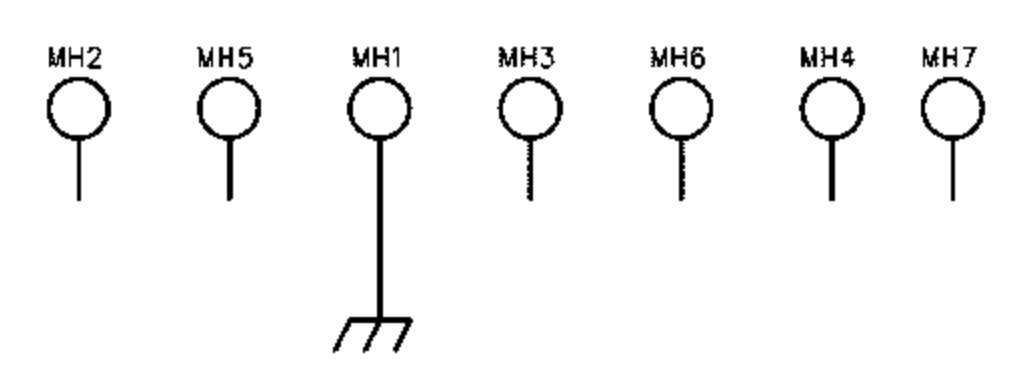
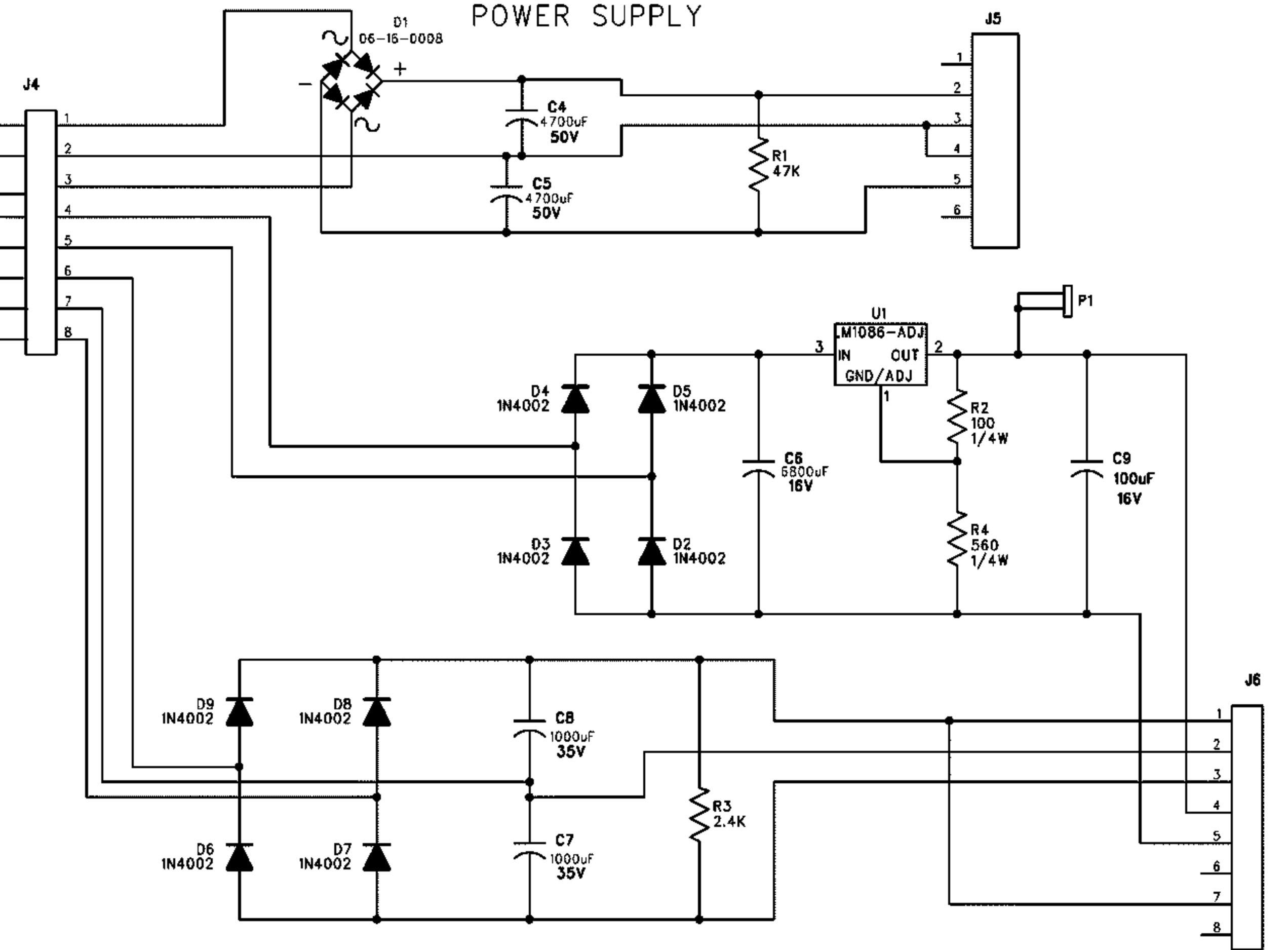
A

A



DIFFERENT TRANSFORMER  
 FOR USA & EUROPE  
 100/120V = 11-32-0002  
 220/240V = 11-30-0001

**POWER SUPPLY**



THE INFORMATION CONTAINED IN THIS DRAWING IS THE SOLE  
 PROPERTY OF LINE 6 INC. ANY REPRODUCTION IN PART OR WHOLE  
 WITHOUT THE WRITTEN PERMISSION OF LINE 6 INC. IS PROHIBITED

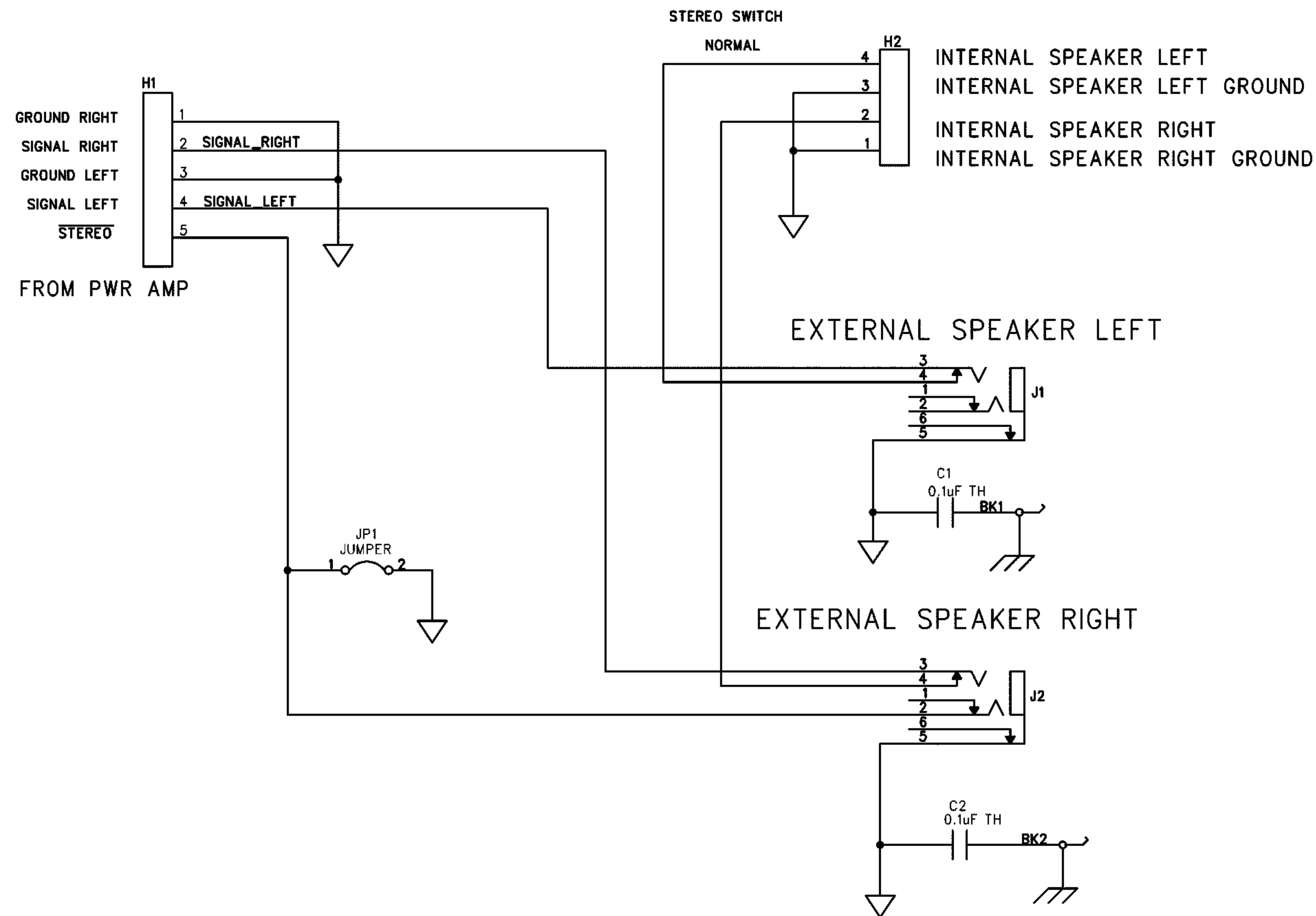
DRAWN: GS	DATED: 10/25/02
CHECKED: INITIALS	DATED: MO Day, Year

COMPANY:  LINE 6	
TITLE: FT3 POWER SUPPLY (SHARCTONE CLASSIC 212)	
PROGRAM: PADS POWER LOGIC V5.0	REV: A1
FILENAME: Sharctone Product Family/Sharctone 212 Combo/Electrical/Schematic/Power Supply/Rev A/FT3 Power Supply Rev A1.sch	
SCALE: 1:1	SIZE: C
PART NUMBER: 35-00-0147	SHEET: 1 OF 1

REVISION RECORD

LTR	ECO NO:	DESCRIPTION	DATE:
A	0229801	RELEASE REV A	10.25.02

# FT3 SPEAKER OUTPUT PCB



JP-1 JUMPER SELECTION

Speakers	Config.	JP-1 Status
2 X 12	STEREO	Install
1 X 12	MONO	Do Not Install
1 X 12	PLUS	Do Not Install

STEREO = LOW  
 MONO = HI  
 (PULL-UP ON SIGNAL ON MAIN BOARD)

ALL PARTS ON THIS PCB ARE THRU HOLE

COMPANY: **LINE 6**

TITLE: **FT3 SPEAKER OUTPUTS PCB**

PROGRAM: **PADS POWER LOGIC V5.0** REV: **A**

FILENAME: /ShareTone Product Family/ShareTone 212 Combo/Electrical/  
 /Schematic/Speaker Out/REV A/FT3 SPKR OUT REV A.sch

SCALE: 1:1 SIZE: B PART NUMBER: 35-00-0149 SHEET: 1 OF 1

DRAWN: **dblackmore** DATED: 5-13-02

CHECKED: **Initials** DATED: Date

