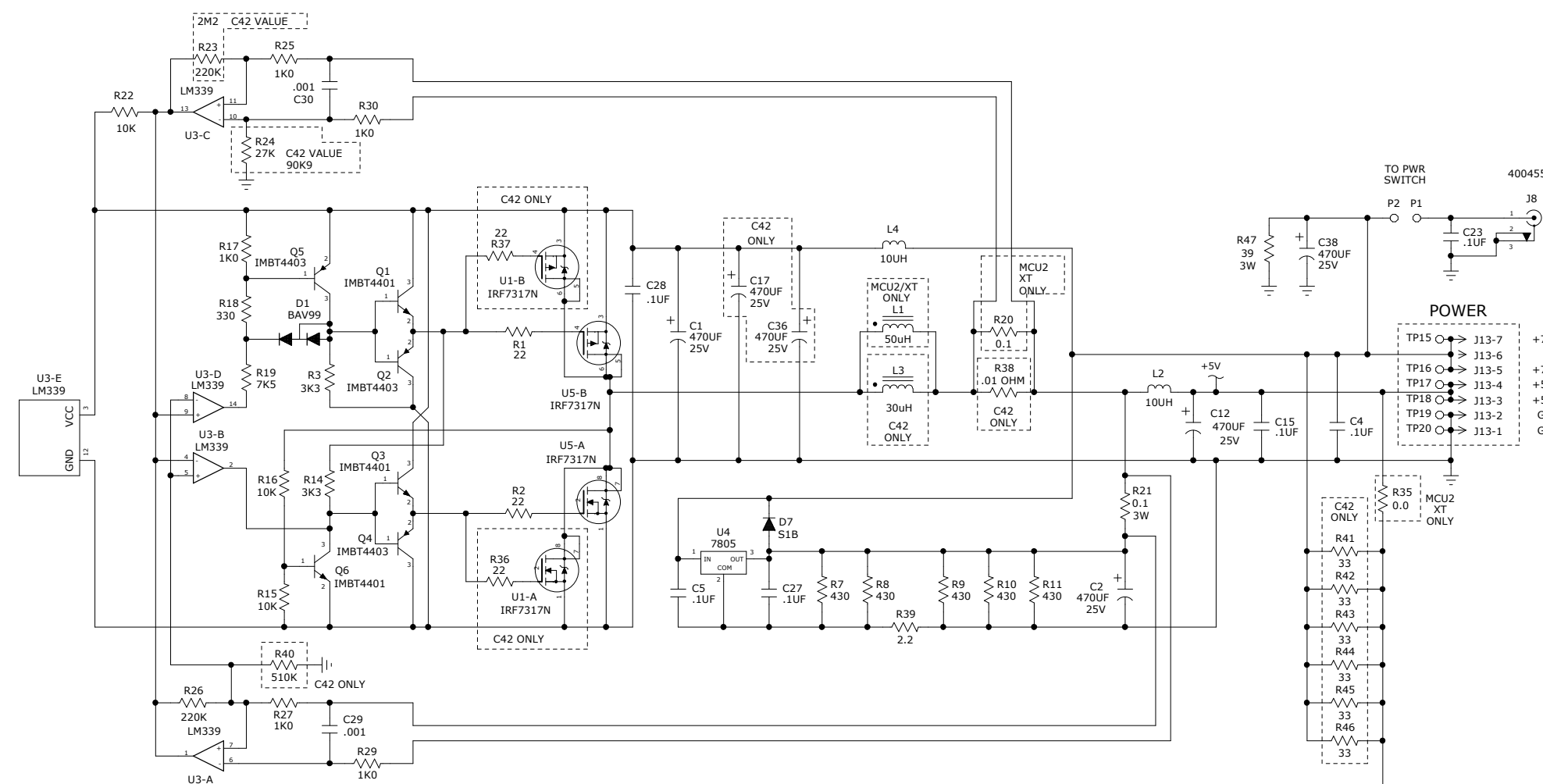
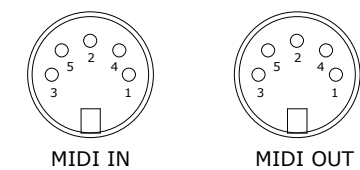


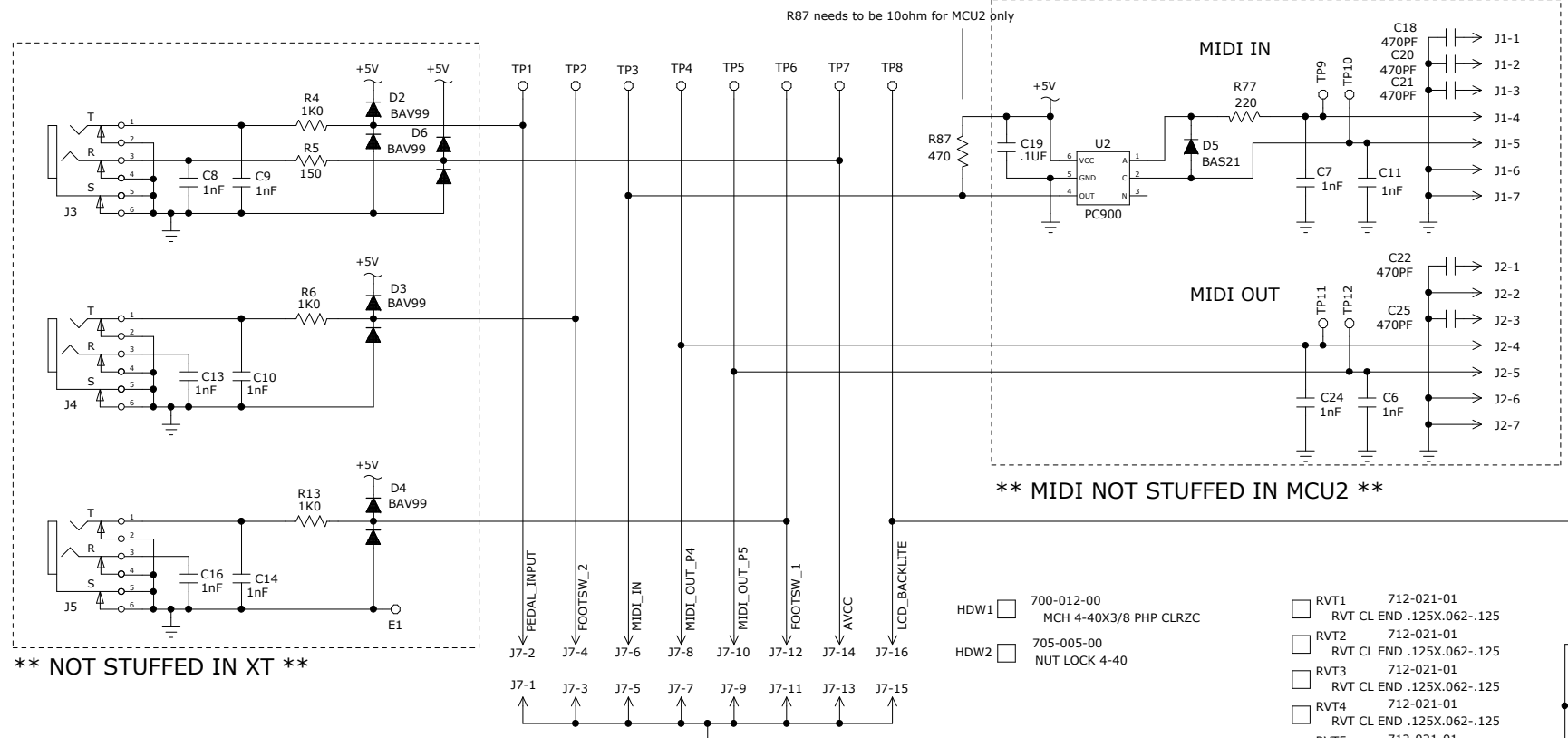
D



- DOC1 D00390 TEST FIXTURE, PCB ASSY MCU2/XT/C42 POWER SUPPLY
- SCH1 0020142-XX SCHEMATIC PCB ASSY MCU2/XTPOWER SUPPLY
- PCB1 0020143-03 PCB FAB MCU POWER

C

B

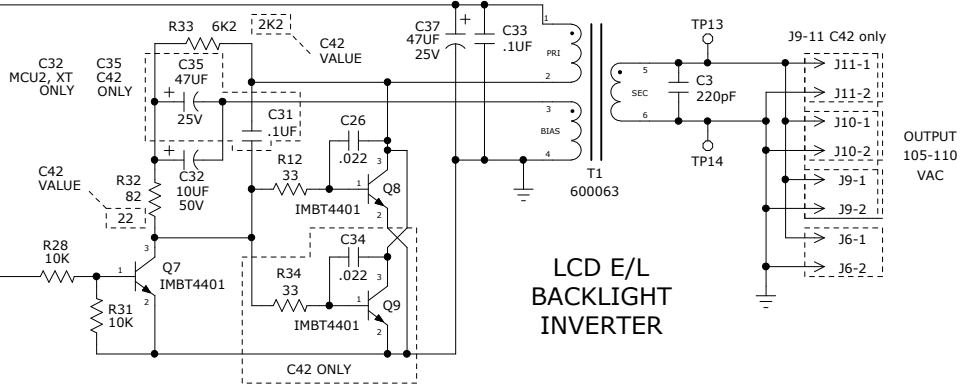


**** MIDI NOT STUFFED IN MCU2 ****

A

**** NOT STUFFED IN XT ****

- HDW1 700-012-00 MCH 4-40X3/8 PHP CLRZC
- HDW2 705-005-00 NUT LOCK 4-40
- RVT1 712-021-01 RVT CL END .125X.062-.125
- RVT2 712-021-01 RVT CL END .125X.062-.125
- RVT3 712-021-01 RVT CL END .125X.062-.125
- RVT4 712-021-01 RVT CL END .125X.062-.125
- RVT5 712-021-01 RVT CL END .125X.062-.125
- RVT6 712-021-01 RVT CL END .125X.062-.125
- BRKT1 712-020-00
- BRKT2 712-020-00
- BRKT3 712-020-00



OUTPUT 105-110 VAC

ASSEMBLY OPTIONS	
-00	MCU2 POWER SUPPLY
-01	XT POWER SUPPLY

APPROVALS	DATE
DRAWN: Matt Darval	1/20/2010
CHECKED:	
NP ENG:	
MATERIAL:	
MFG:	
MFG ENG:	
ISSUED:	

LOUD Technologies Inc.
16220 WOOD-RED RD NE WOODINVILLE, WA 98072

**MCU2/XT POWER SUPPLY
PSU+CONNECTORS**

SIZE	SCALE:	DWG. NO.	REV.
D	NONE	0020142-XX	D01
DWG FILE: 0020142-XX-D01.sch		SHEET 1 OF 1	

© 2009 LOUD TECHNOLOGIES INC.
ALL RIGHTS RESERVED
THE INFORMATION CONTAINED HEREIN
IS PROPRIETARY AND CONFIDENTIAL
PROPERTY OF LOUD TECHNOLOGIES INC.