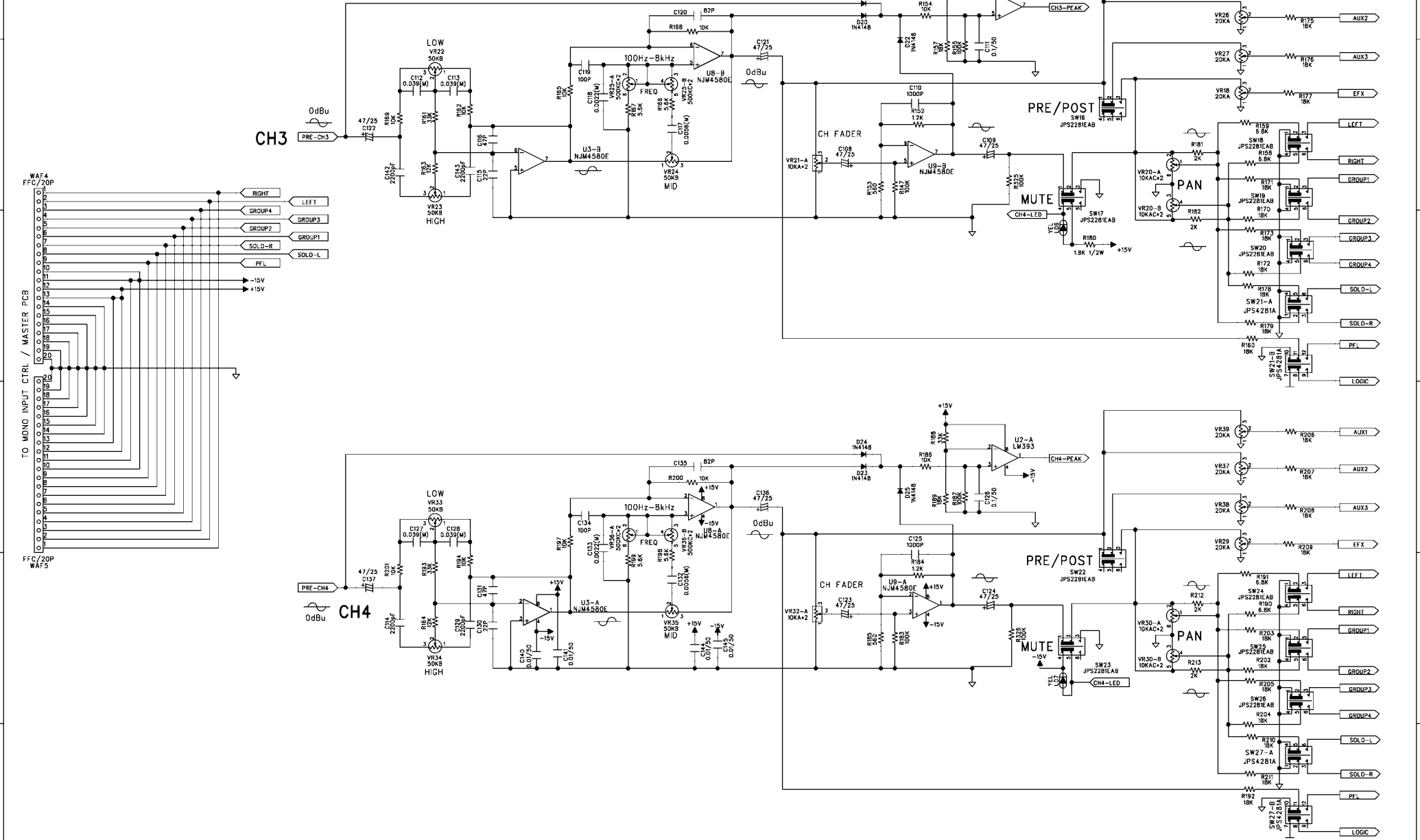
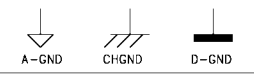


1		2			3		4		5		6	
COMPANY	SAMSON	APPLICANT	REVISED NUMBER AND DATE			DESIGN	DRAWN	CHECKED	APPROVED	NOTE	SHEET NO.	SCHEMATIC DIAGRAM
TYPE CODE		MP	1. Update: 2009.5.5	4.	7.	HeJian	Pc Ku	J.K Hong	MONO INPUT CTRL CHANNEL		2/14	MODEL : L1200/2000 MIXER
APPROVED DATE	2009.4.7		2. Update: 2009.6.26	5.	8.							
			3. Update: 2009.7.7	6.	9.							

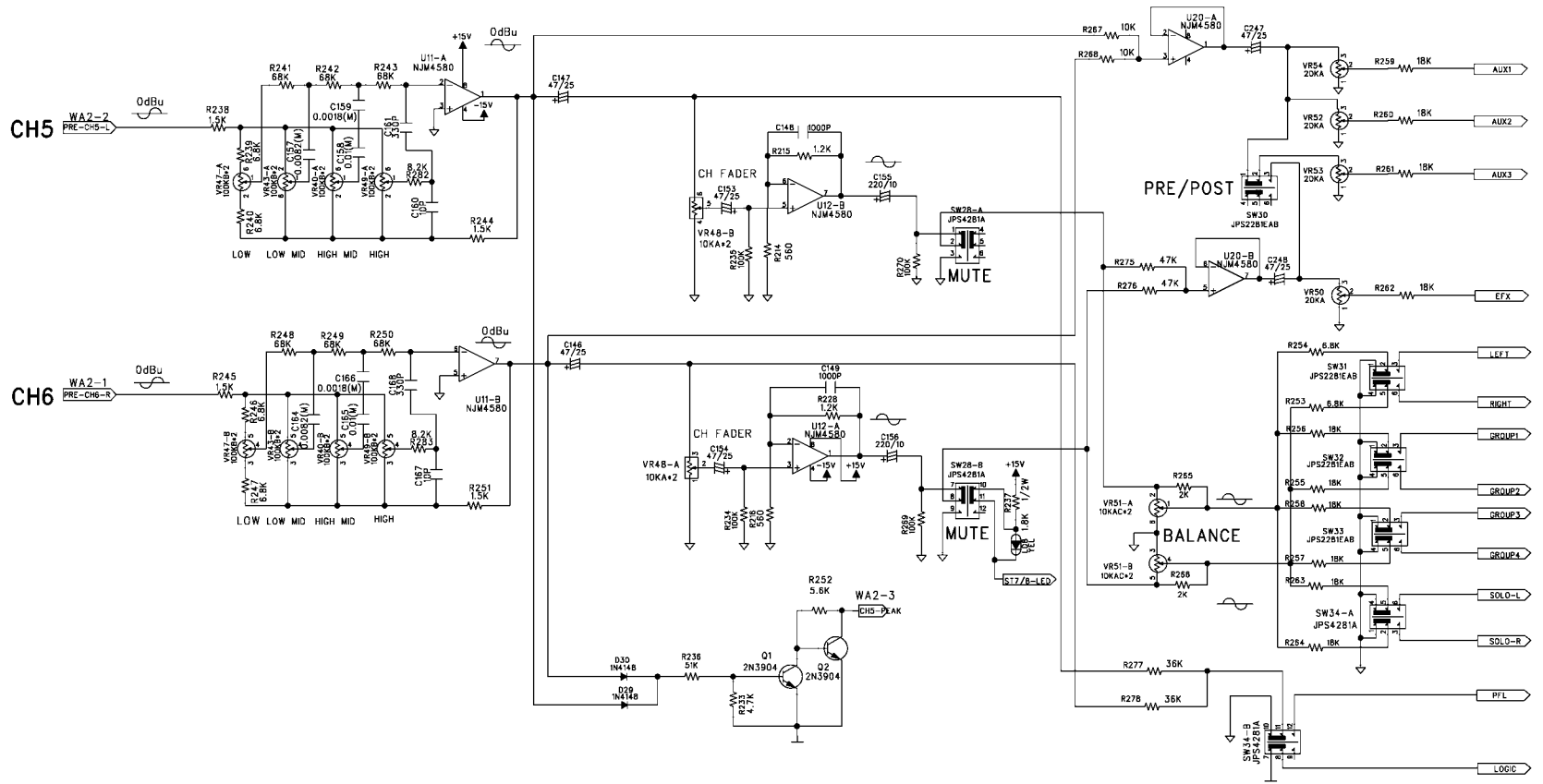
MONO INPUT CTRL PCB CIRCUIT
MASTER (4CH MONO INPUT CTRL) PCB CIRCUIT



1		2			3		4		5		6	
COMPANY	SAMSON	APPLICANT	REVISED NUMBER AND DATE			DRAWN	CHECKED	APPROVED	NOTE	SHEET NO.	SCHEMATIC DIAGRAM	
TYPE CODE		MP	1. Update: 2009.6.26	4.	7.	HeJian	Pc Ku	J.K Hong	STEREO CHANNEL	3/14	MODEL : L1200/2000 MIXER	
APPROVED DATE	2009.4.7		2. Update: 2009.7.7	5.	8.							
			3.	6.	9.							



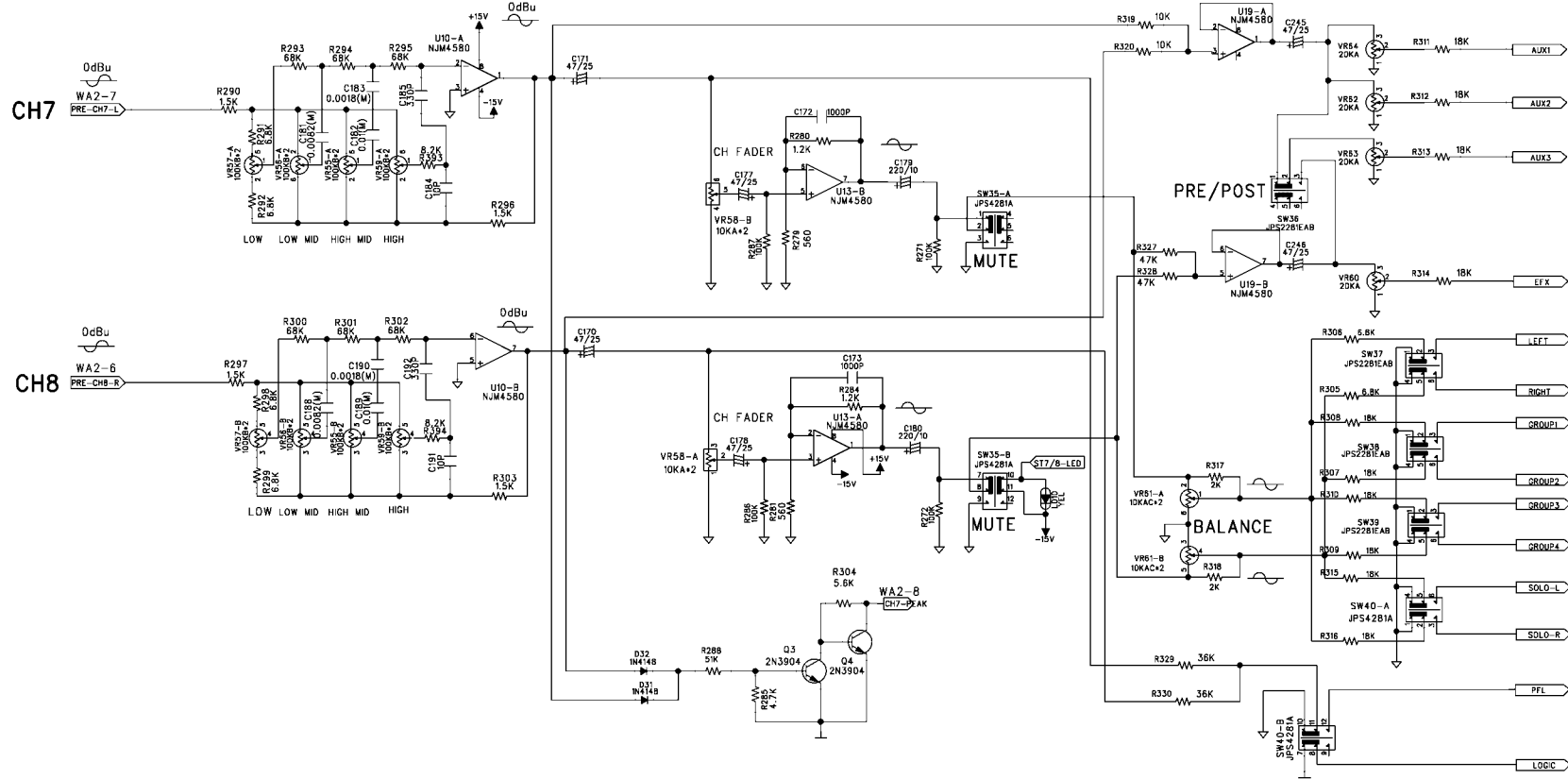
MASTER PCB CIRCUIT



1		2			3		4		5		6	
COMPANY	SAMSON	APPLICANT	REVISED NUMBER AND DATE			DESIGN	DRAWN	CHECKED	APPROVED	NOTE	SHEET NO.	SCHEMATIC DIAGRAM
TYPE CODE		MP	1. Update: 2009.6.26	4.	7.	HeJian	Pc Ku	J.K Hong	STEREO CHANNEL		4/14	MODEL : L1200/2000 MIXER
APPROVED DATE	2009.4.7		2. Update: 2009.7.7	5.	8.							
			3.	6.	9.							

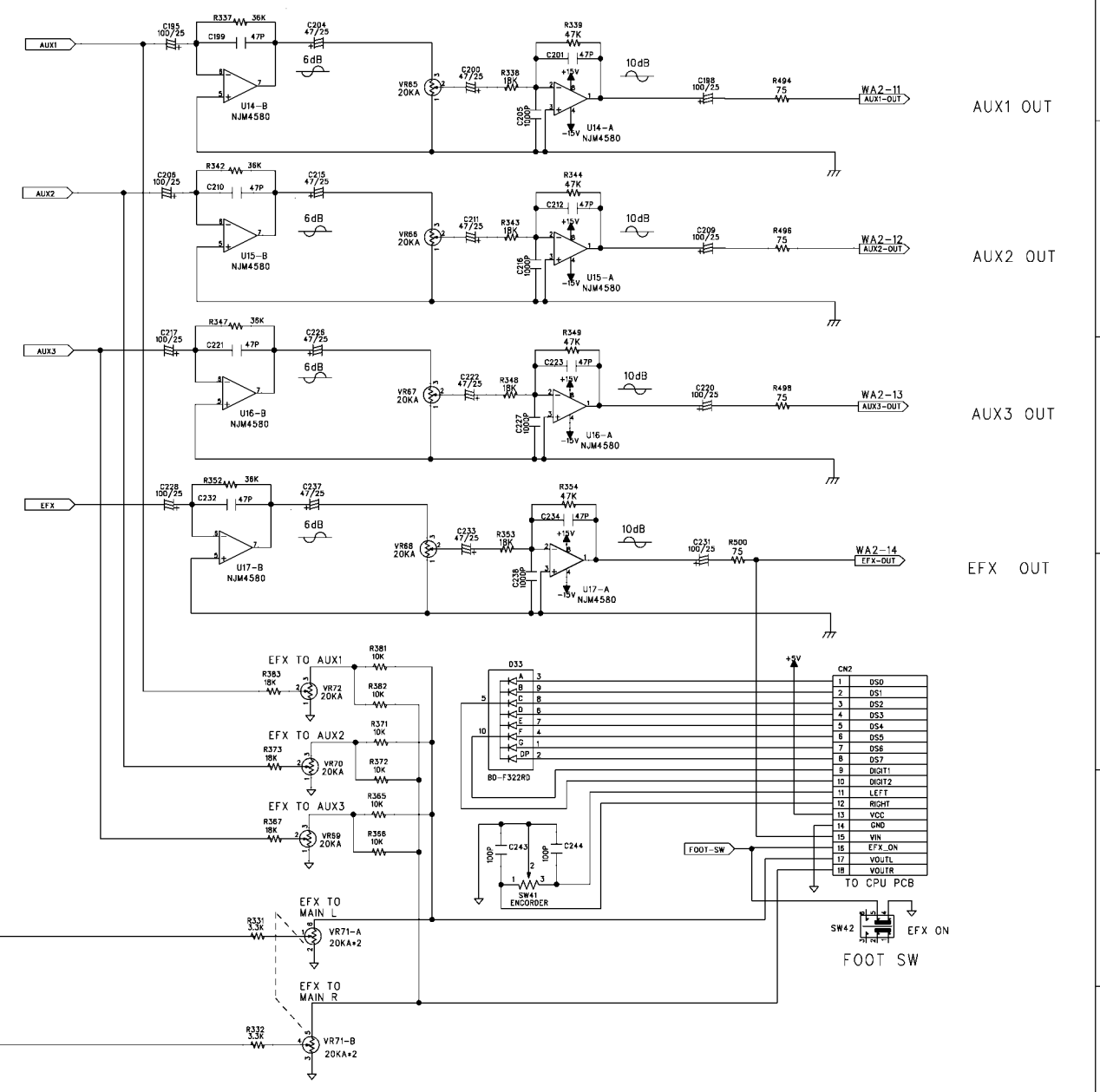
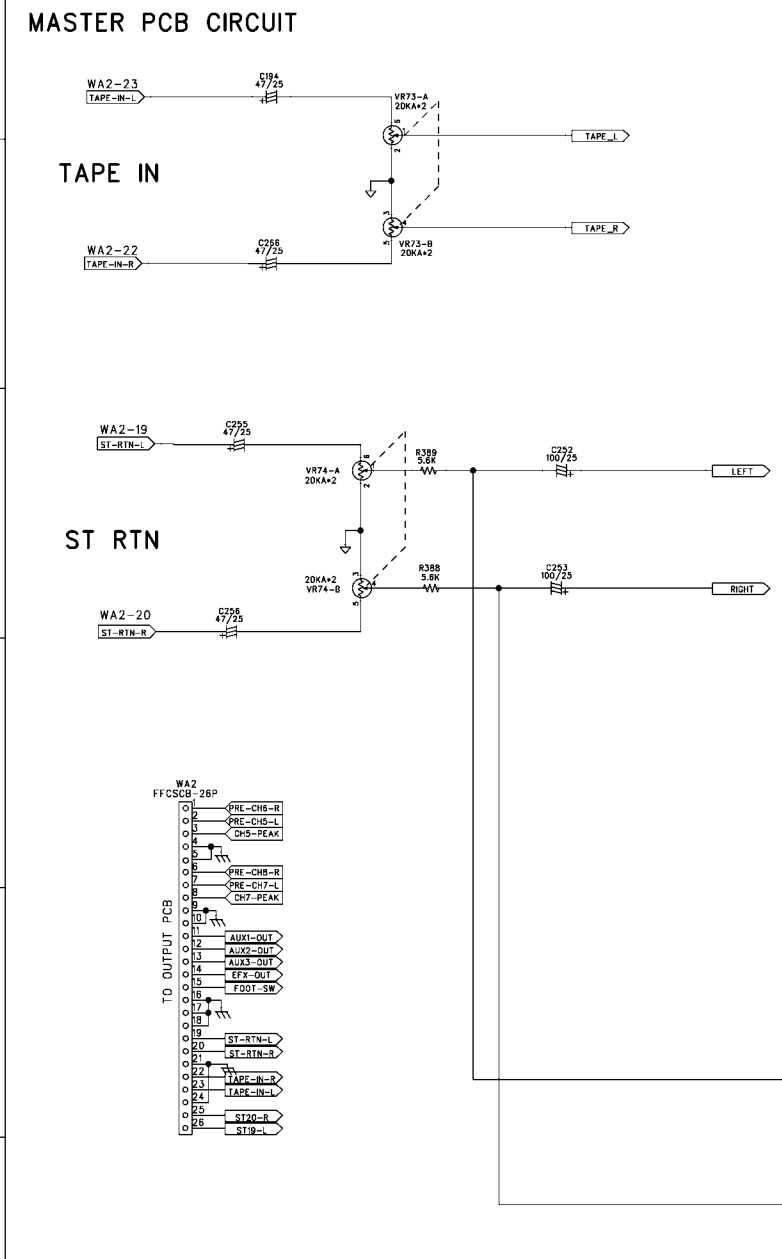


MASTER PCB CIRCUIT

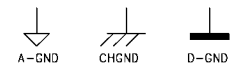


1		2			3		4		5		6	
---	--	---	--	--	---	--	---	--	---	--	---	--

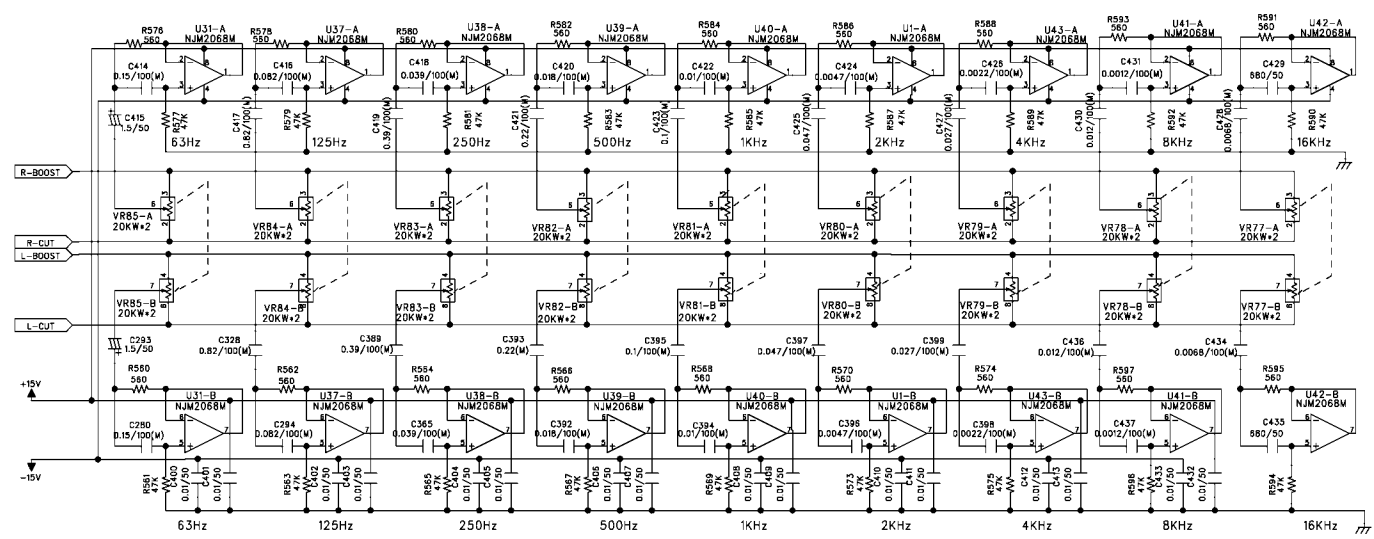
1		2		3		4		5		6	
COMPANY	SAMSON	APPLICANT	REVISED NUMBER AND DATE			DRAWN	CHECKED	APPROVED	NOTE	SHEET NO.	SCHEMATIC DIAGRAM
TYPE CODE		MP	1. Update: 2009.6.26	4.	7.	HeJian	Pc Ku	J.K Hong	AUX & EFX CTRL	5/14	MODEL : L1200/2000 MIXER
APPROVED DATE	2009.4.7		2. Update: 2009.7.7	5.	8.						
			3. Update: 2009.9.2	6.	9.						



1		2			3		4		5		6	
COMPANY	SAMSON	APPLICANT	REVISED NUMBER AND DATE			DESIGNER	CHECKED	APPROVED	NOTE	SHEET NO.		SCHEMATIC DIAGRAM MODEL : L1200/2000 MIXER
TYPE CODE		MP	1. Update:2009.6.26	4.	7.	HeJian	Pc Ku	J.K Hong	MAIN OUTPUT EQ	7/14		
APPROVED DATE	2009.4.7		2. Update:2009.7.7	5.	8.							
			3.	6.	9.							

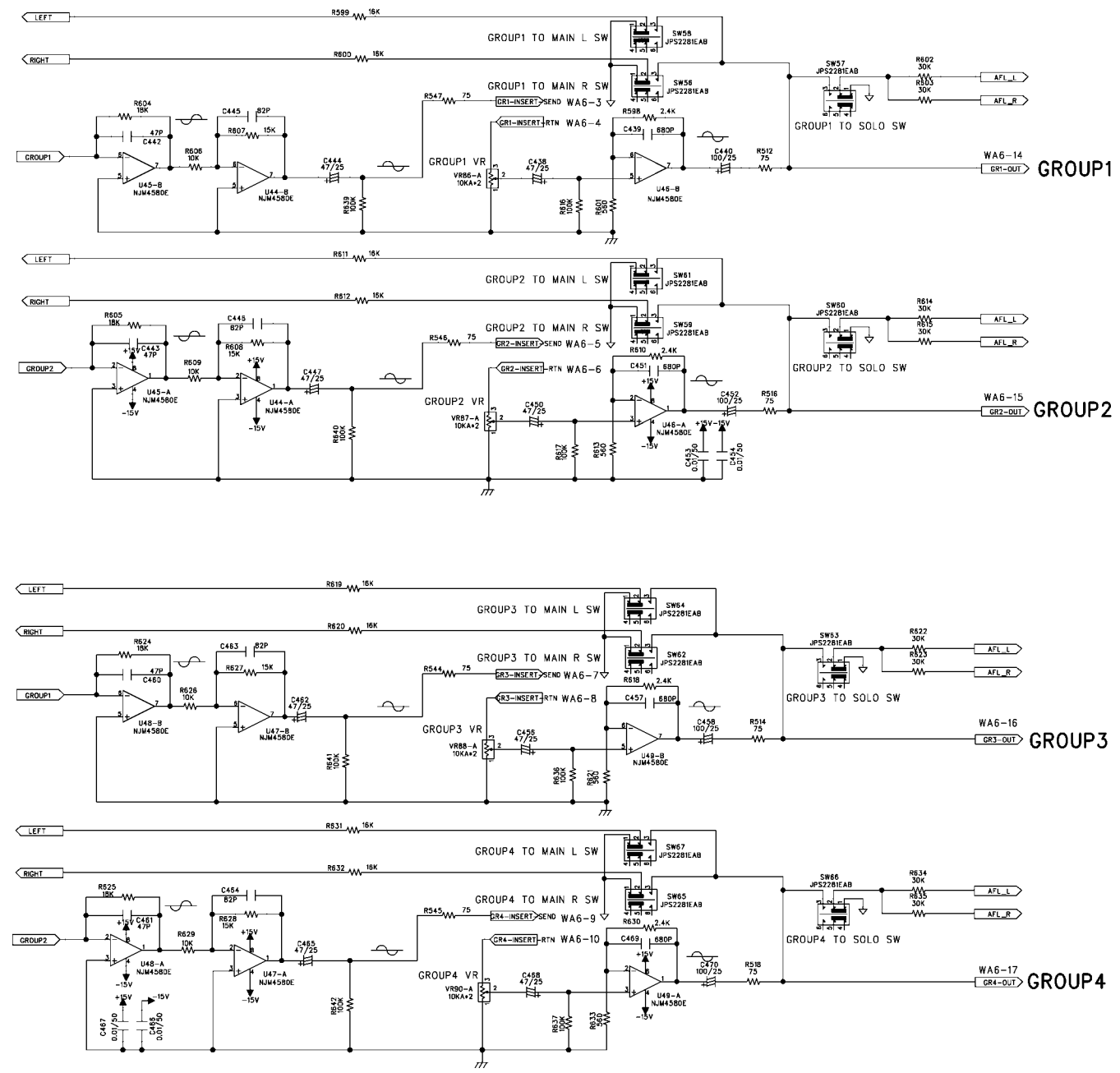


MASTER PCB CIRCUIT



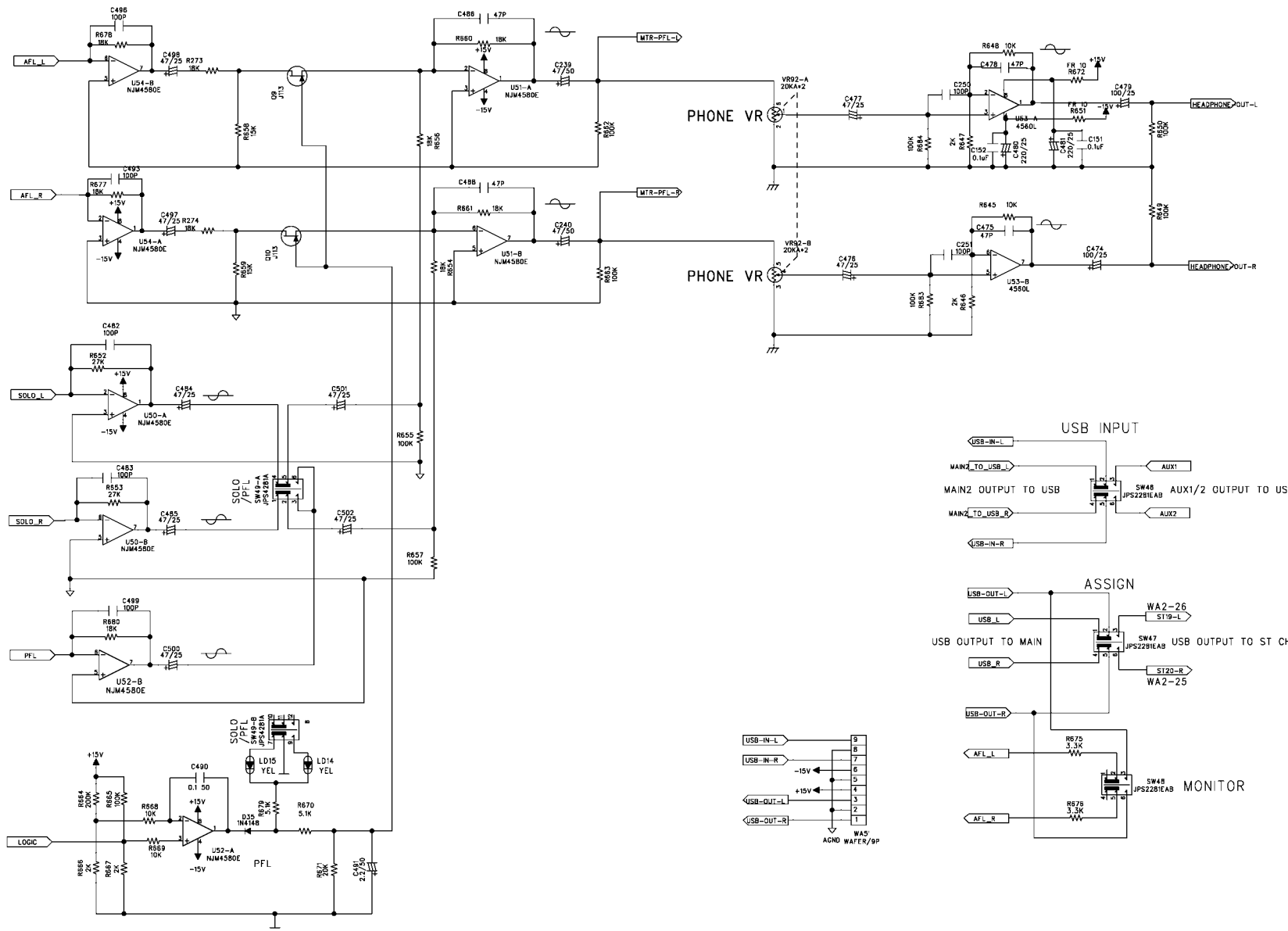
1		2			3		4		5		6	
COMPANY	SAMSON	APPLICANT	REVISED NUMBER AND DATE			DESIGN	DRAWN	CHECKED	APPROVED	NOTE	SHEET NO.	SCHEMATIC DIAGRAM
TYPE CODE		MP	1. update:2009.4.14	4.	7.	HeJian	Pc Ku	J.K Hong	GROUP OUTPUT CTRL		8/14	MODEL : L1200/2000 MIXER
APPROVED DATE	2009.4.7		2. Update:2009.6.26	5.	8.							
			3. Update:2009.7.7	6.	9.							

MASTER PCB CIRCUIT



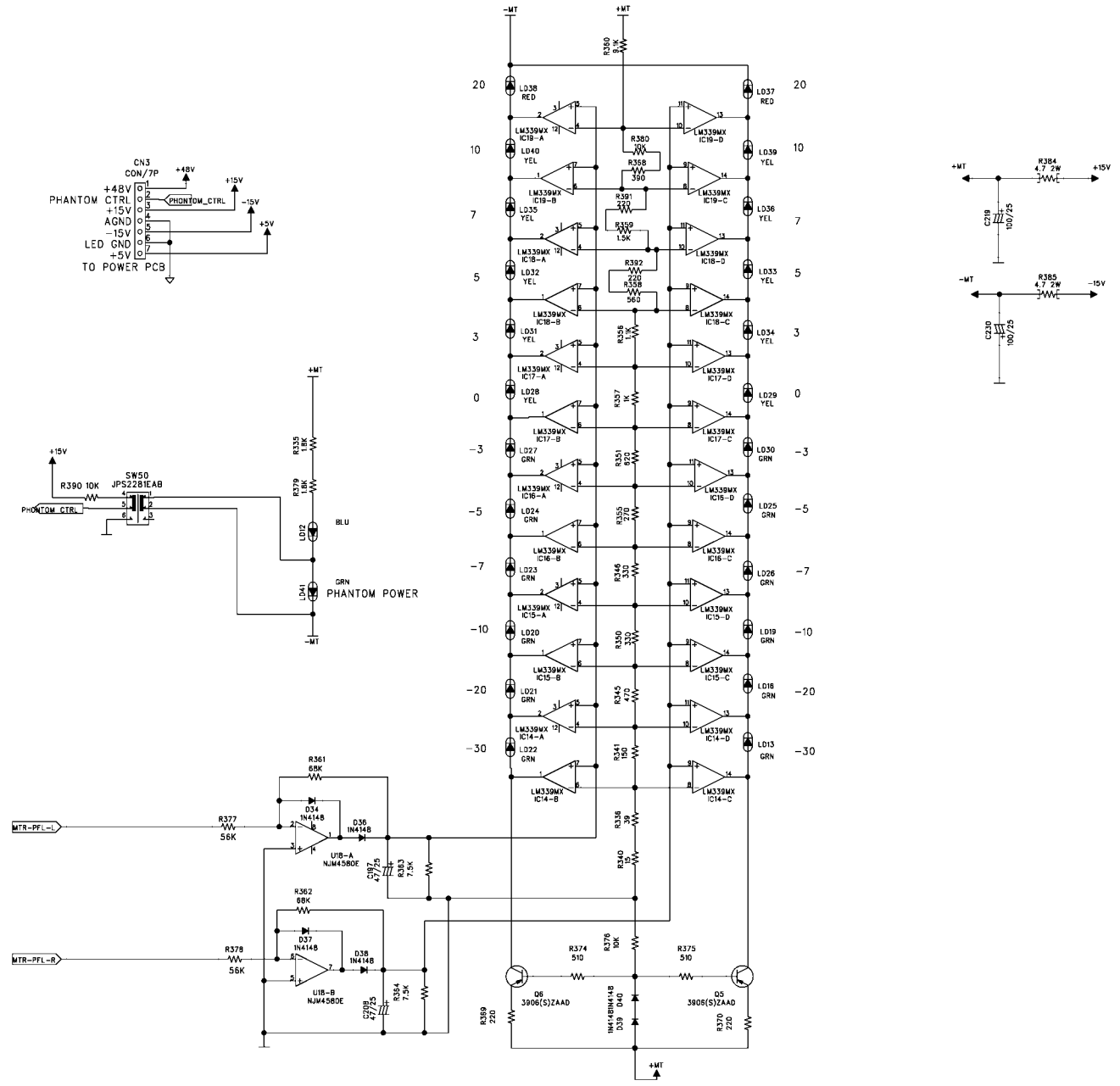
1		2			3		4		5		6	
COMPANY	SAMSON	APPLICANT	REVISED NUMBER AND DATE			DESIGN	DRAWN	CHECKED	APPROVED	NOTE	SHEET NO.	SCHEMATIC DIAGRAM
TYPE CODE		MP	1: Update: 2009.4.28	4.	7.	HeJian	Pc Ku	J.K Hong	PFL / SOLD & PHONES CTRL		9/14	MODEL : L1200/2000 MIXER
APPROVED DATE	2009.4.7		2: Update: 2009.6.26	5.	8.							
			3: Update: 2009.7.7	6.	9.							

MASTER PCB CIRCUIT



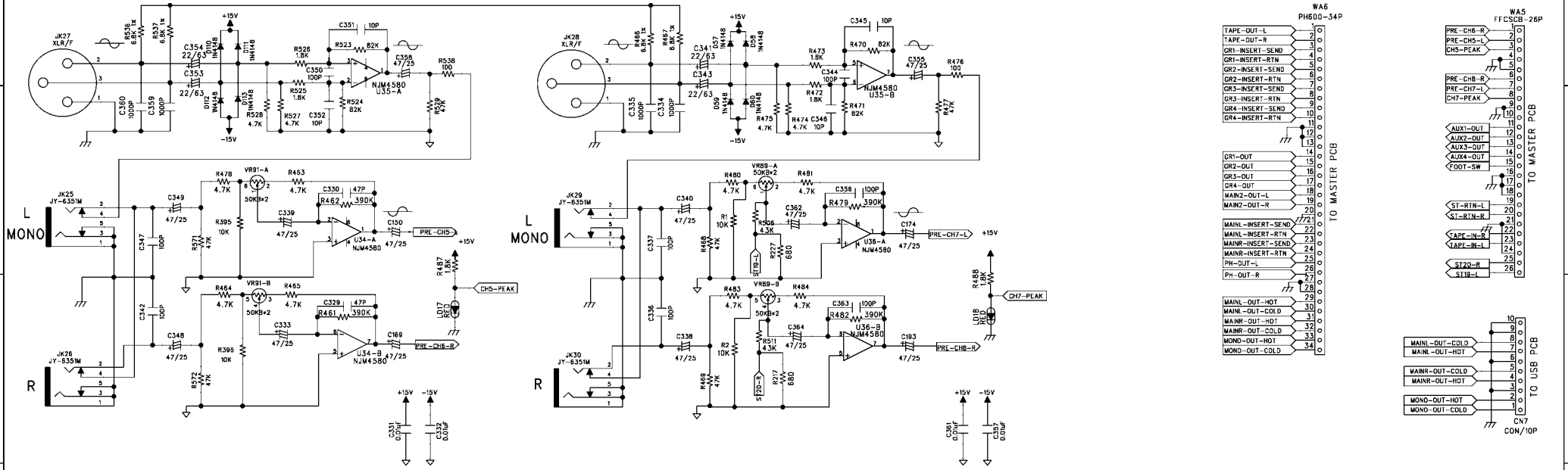
1		2			3		4		5		6	
COMPANY	SAMSON	APPLICANT	REVISED NUMBER AND DATE			DESIGN	CHECKED	APPROVED	NOTE	SHEET NO.	SCHEMATIC DIAGRAM	
TYPE CODE		MP	1. Update: 2009.6.26	4.	7.	HeJian	Pc Ku	J.K Hong	DISPLAY	10/14	MODEL : L1200/2000 MIXER	
APPROVED DATE	2009.4.7		2. Update: 2009.7.7	5.	8.							
			3.	6.	9.							

MASTER PCB CIRCUIT



1	2	3	4	5	6
COMPANY	SAMSON	APPLICANT	REVISED NUMBER AND DATE	DRAWN	CHECKED
TYPE CODE		MP	1.Update:2009.4.27 4.Update:2009.7.7 7.	HeJian	Pc Ku
APPROVED DATE	2009.4.7		2.Update:2009.6.11 5. 8.	J.K Hong	
			3.Update:2009.6.26 6. 9.		
			A-GND	CHGND	D-GND
			ST INPUT & ALL OUTPUT JACK		
			SHEET NO.	11/14	
			SCHEMATIC DIAGRAM		
			MODEL: L1200/2000 MIXER		

OUTPUT & 4CH MONO INPUT & 4CH ST INPUT JACK PCB CIRCUIT



1		2		3		4		5		6	
COMPANY	SAMSON	APPLICANT	REVISED NUMBER AND DATE			DESIGN	CHECKED	APPROVED	NOTE	SHEET NO.	SCHEMATIC DIAGRAM
TYPE CODE		MP	1. Update: 2009.6.26	4.	7.	HeJian	Pc Ku	J.K Hong	MONO INPUT JACK	12/14	MODEL : L1200/2000 MIXER
APPROVED DATE	2009.4.7		2. Update: 2009.7.7	5.	8.						
			3.	6.	9.						



MONO INPUT JACK PCB CIRCUIT OUTPUT & 4CH MONO INPUT & 4CH ST INPUT JACK PCB CIRCUIT

