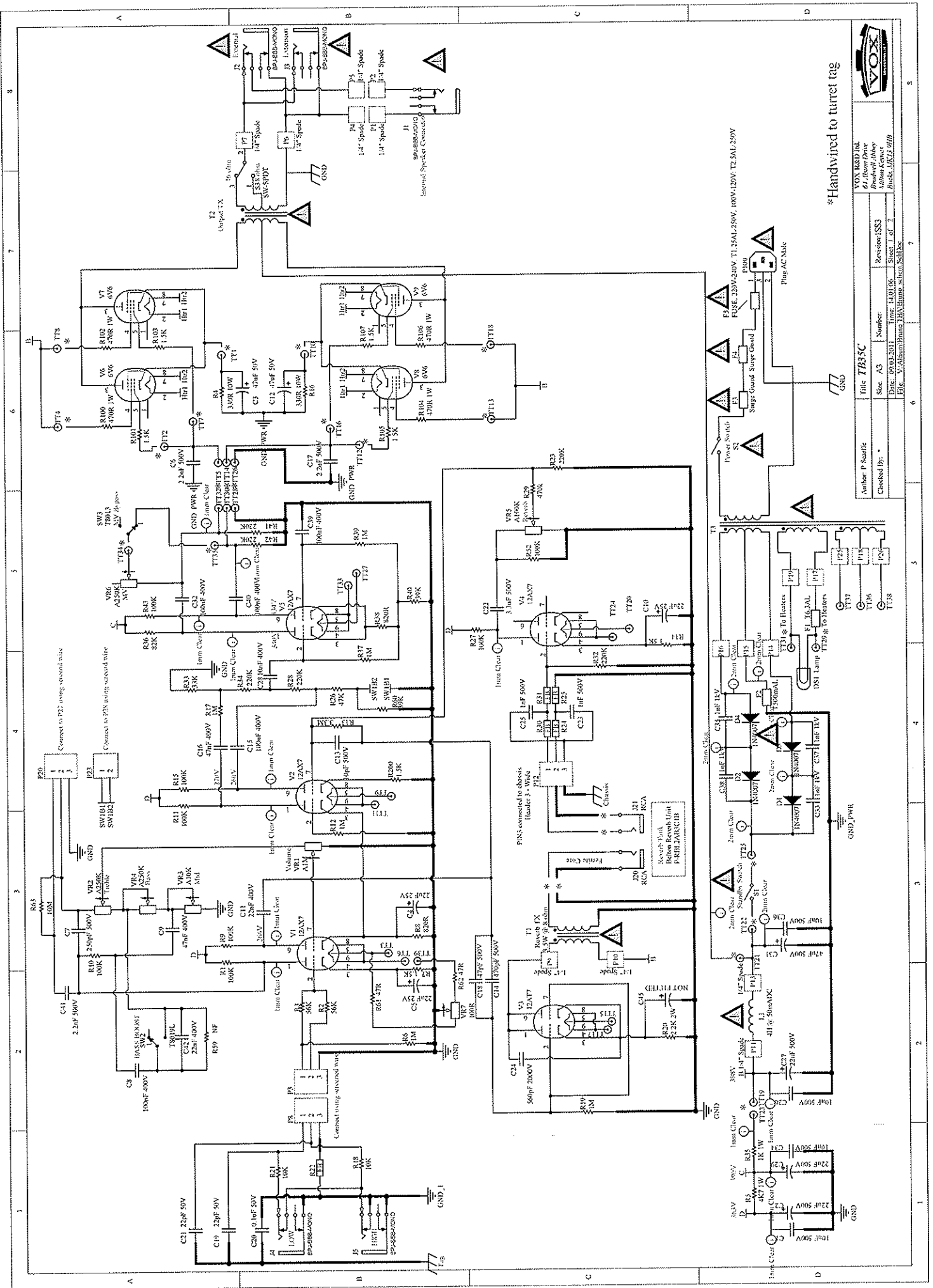


|  |  |                         |  |                 |  |
|--|--|-------------------------|--|-----------------|--|
| Author: Phil Searle                                |  | Title: TB35C Fourswitch |  | VOX R&D Ltd     |  |
| Checked By: *                                      |  | Revision: ESS2          |  | 67, Broom Drive |  |
| Date: 07/01/2011                                   |  | Time: 16:29:42          |  | Milton Keynes   |  |
| File: V:\Adrian\Broom\BNA\Broom_Fourswitch_Sch.Dwg |  | Sheet 1 of 2            |  | Bucks, MK15 9HR |  |



\* Handwired to turret tag



|  |                |                    |               |
|--|----------------|--------------------|---------------|
| Title <b>TR35C</b>                           |                | Author: P. Szarile |               |
| Size: A3                                     | Number:        | Revision: ISS      | Checked by: * |
| Date: 09/03/2011                             | Time: 14:01:36 | Sheet: 1 of 2      |               |
| File: V:\altium\boards\TR35\tag_scheme_SMD26 |                |                    |               |

VON BOARD 04  
 6.1. Board Date  
 Bradwell Abbey  
 Wilton Keyser  
 Bucks, MK13 9JH

VOX