

GAIN A @ 10, SHAPE @ 5, A LEVEL @ 5.  
 GAIN B & MASTER, TONES @ 5, OCTAVE @ 0,  
 CHANNEL B CLEAN, 500Hz INPUT 60mV p-p  
 120VAC NO LOAD


| TEST POINT | WAVE SHAPE                            | A.C. p-p  | D.C.       | SPECIAL CONDITIONS                       |
|------------|---------------------------------------|-----------|------------|--|
| 1          | ~                                     | 200mV     | —          |  |
| 2          | ~                                     | 150mV     | —          |  |
| 3          | ~                                     | 3.5V      | —          | CHANNEL A SELECTED                       |
| 4          | ~                                     | 3V        | —          | CHANNEL A SELECTED                       |
| 5          | ~                                     | 1.5V      | —          | CHANNEL A SELECTED                       |
| 6          | ~                                     | 200mV     | —          |  |
| 7          | ~                                     | 460mV     | —          |  |
| 8          | ~                                     | 700mV     | —          |  |
| 9          | ~ <sup>+10</sup> <sub>-12</sub> 500Hz | 22V       | +/-4V      |  |
| 10         | ~ <sup>+2</sup> <sub>0</sub> 250Hz    | 12V       | —          |  |
| 11         | ~                                     | 80mV      | —          |  |
| 12         | ~                                     | 15V       | —          |  |
| 13         | ~                                     | 15V       | —          |  |
| 14         | —                                     | —         | .7V        |  |
| 15         | —                                     | —         | .8V<br>10V | CHANNEL A SELECTED<br>CHANNEL B SELECTED |
| 16         | —                                     | —         | 10V<br>.6V | CHANNEL A SELECTED<br>CHANNEL B SELECTED |
| 17         | —                                     | .2 RIPPLE | 21V        |  |
| 18         | —                                     | .2 RIPPLE | -21V       |  |
| 19         | —                                     | —         | 14V        |  |
| 20         | —                                     | —         | -14V       |  |

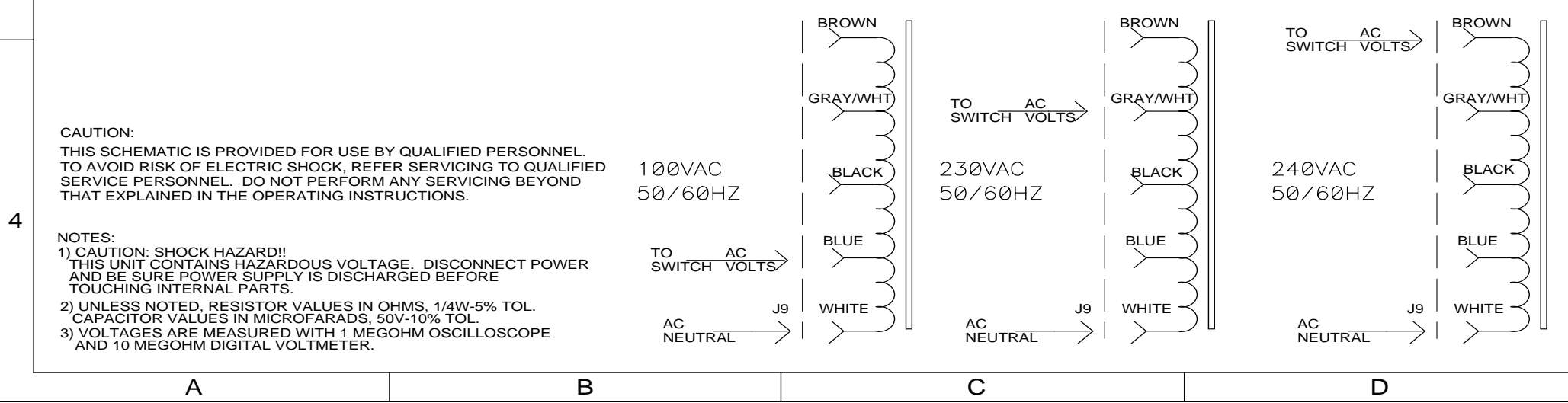
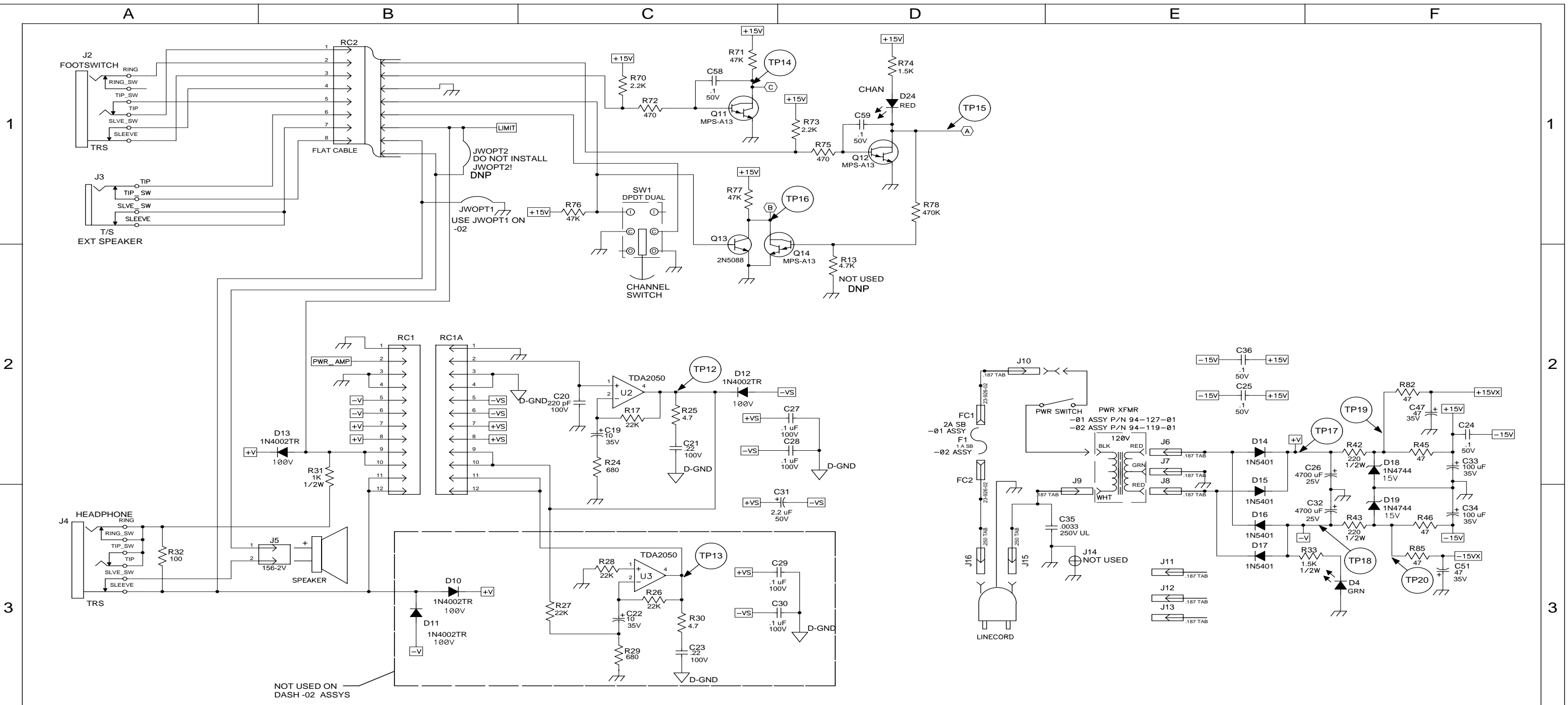
ASSY P/N 07-848-01  
 ASSY P/N 07-848-02

| Ref Des | Device(Type) | Package  | C | GND | -VS | +VS | +15V | -15V | -15VX | +15VX |
|---------|--------------|----------|---|-----|-----|-----|------|------|-------|-------|
| U1      | 3707201      | 8DIP.3   |   |     | 8   | 4   |      |      |       |       |
| U2      | 3725001_H    | TDA20XXH | 3 | 5   |     |     |      |      |       |       |
| U3      | 3725001_H    | TDA20XXH | 3 | 5   |     |     |      |      |       |       |
| U4      | 3707201      | 8DIP.3   |   |     | 8   | 4   |      |      |       |       |
| U5      | 3707201      | 8DIP.3   |   |     | 8   | 4   |      |      |       |       |
| U6      | 3707201      | 8DIP.3   |   |     | 8   | 4   |      |      |       |       |
| U7      | 3707201      | 8DIP.3   |   |     | 8   | 4   |      |      |       |       |
| U8      | 3707201      | 8DIP.3   |   |     |     |     |      | 4    | 8     |       |
| U12     | 3741301      | 14DIP.3  | 7 |     |     |     |      |      |       | 14    |

CAUTION:  
 THIS SCHEMATIC IS PROVIDED FOR USE BY QUALIFIED PERSONNEL.  
 TO AVOID RISK OF ELECTRIC SHOCK, REFER SERVICING TO QUALIFIED  
 SERVICE PERSONNEL. DO NOT PERFORM ANY SERVICING BEYOND  
 THAT EXPLAINED IN THE OPERATING INSTRUCTIONS.

NOTES:  
 1) CAUTION: SHOCK HAZARD!!  
 THIS UNIT CONTAINS HAZARDOUS VOLTAGE. DISCONNECT POWER  
 AND BE SURE POWER SUPPLY IS DISCHARGED BEFORE  
 TOUCHING INTERNAL PARTS.  
 2) UNLESS NOTED, RESISTOR VALUES IN OHMS, 1/4W-5% TOL.  
 CAPACITOR VALUES IN MICROFARADS, 50V-10% TOL.  
 3) VOLTAGES ARE MEASURED WITH 1 MEGOHM OSCILLOSCOPE  
 AND 10 MEGOHM DIGITAL VOLTMETER.

| -   | -      | -                       | -             | -  | -        |      |
|---|--------|-------------------------|---------------|--|----------|------|
| A   | 3/6/03 | INITIAL ISSUE           | -             | -  | -        |      |
| REV   | Date   | DESCRIPTION             | Ecr(s)/Ecn(s) | Chgd By  | Appvd by | Date |
| THE INFORMATION CONTAINED ON THIS DRAWING IS PROPRIETARY TO<br>ST. LOUIS MUSIC, INC |        |                         |               |  |          |      |
| Signatures:   |        | Date:                   |               | <br>11880 Borman Drive, St. Louis, MO 63146 |          |      |
| Drawn: REM  |        | 1/15/03                 |               | First Used On:   |          |      |
| Checked:  |        |                         |               |  |          |      |
| Released:   |        |                         |               |  |          |      |
| Tolerance:  |        | Drawing Size: C         |               | Drawing Title:<br><b>PWA - BASS AMPLIFIER</b>  |          |      |
|   |        | Drawing Type: Schematic |               | Drawing Number:<br><b>07S848</b>   |          |      |
|   |        | Class Code: NONE        |               |  |          |      |
|   |        | Sheet 1 of 2            |               |  |          |      |



**CAUTION:**  
THIS SCHEMATIC IS PROVIDED FOR USE BY QUALIFIED PERSONNEL. TO AVOID RISK OF ELECTRIC SHOCK, REFER SERVICING TO QUALIFIED SERVICE PERSONNEL. DO NOT PERFORM ANY SERVICING BEYOND THAT EXPLAINED IN THE OPERATING INSTRUCTIONS.

**NOTES:**  
1) CAUTION: SHOCK HAZARD!! THIS UNIT CONTAINS HAZARDOUS VOLTAGE. DISCONNECT POWER AND BE SURE POWER SUPPLY IS DISCHARGED BEFORE TOUCHING INTERNAL PARTS.  
2) UNLESS NOTED, RESISTOR VALUES IN OHMS, 1/4W-5% TOL. CAPACITOR VALUES IN MICROFARADS, 50V-10% TOL.  
3) VOLTAGES ARE MEASURED WITH 1 MEGOHM OSCILLOSCOPE AND 10 MEGOHM DIGITAL VOLTMETER.

| -   | -      | -                       | -             | -   | -        |
|---|--------|-------------------------|---------------|---|----------|
| A   | 3/6/03 | INITIAL ISSUE           | -             | -   | -        |
| REV   | Date   | DESCRIPTION             | Ecr(s)/Ecn(s) | Chgd By                                     | Appvd by |
| THE INFORMATION CONTAINED ON THIS DRAWING IS PROPRIETARY TO ST. LOUIS MUSIC, INC. |        |                         |               |   |          |
| Signatures:   |        | Date:                   |               | <br>11880 Borman Drive, St. Louis, MO 63146 |          |
| Drawn: REM  |        | 1/15/03                 |               |   |          |
| Checked:  |        | Released:               |               | First Used On:                              |          |
| Plot Date: Wed Jul 09, 2003   |        | Drawing Size: C         |               | Drawing Title:                              |          |
| Plot Time: 08:27:12   |        | Drawing Type: Schematic |               | PWA - BASS AMPLIFIER                        |          |
| Tolerance:  |        | Class Code: NONE        |               | Drawing Number:                             |          |
|   |        | Sheet 2 of 2            |               | 07S848                                      |          |