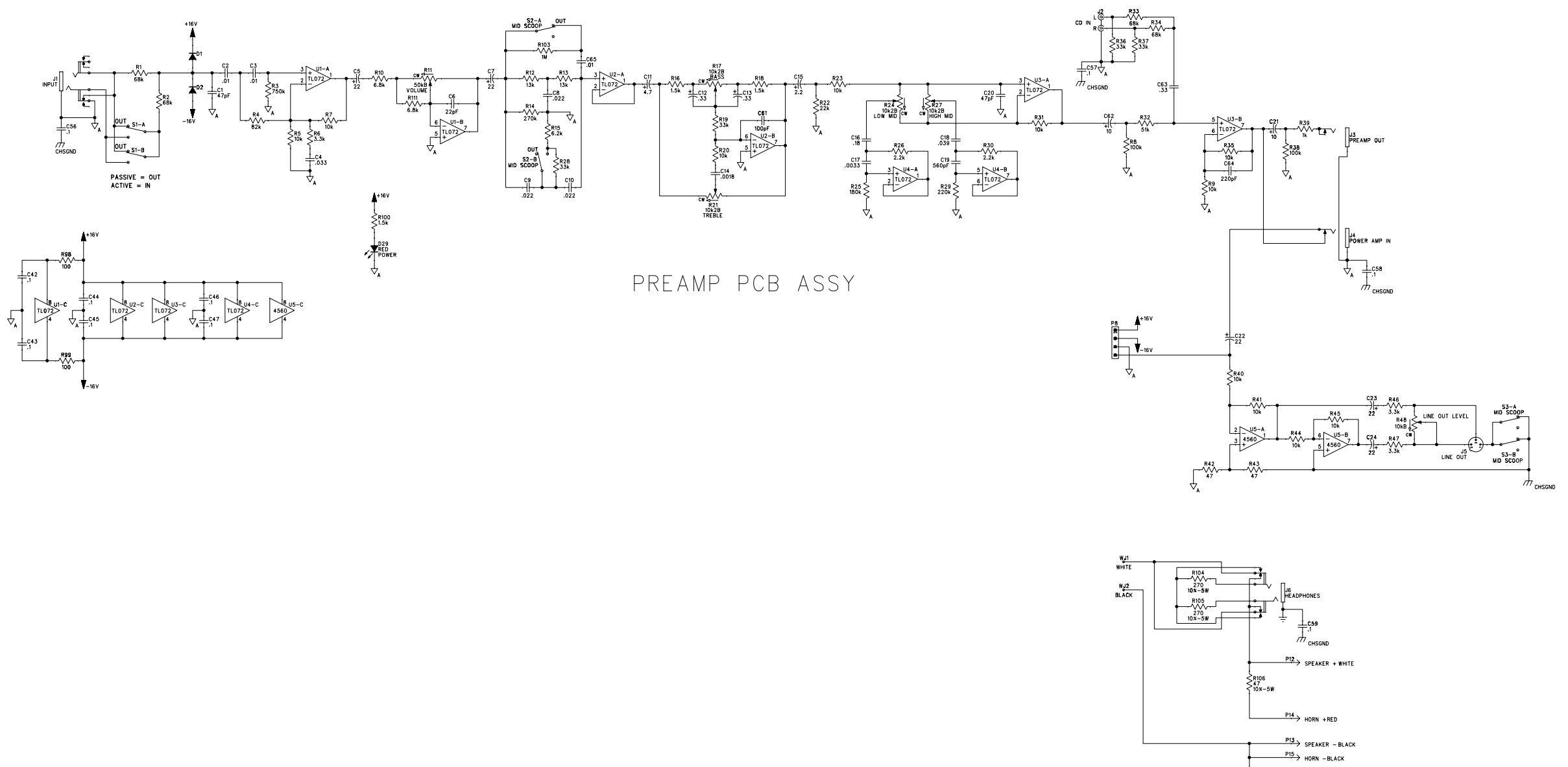


8 7 6 5 4 3 2 1

REVISIONS			
REV.	DESCRIPTION	DATE	APPROVED
A	PR559	26-NOV-03	dBL



PREAMP PCB ASSY

6. LAST REFERENCE DESIGNATORS USED: C61, D35, F1, J6, P15, Q22, R106, S3, U8.
5. THIS SCHEMATIC IS FOR PCB FABRICATION P/N 006156000 AND PCB ASSEMBLY P/N 006156000 (PREAMP). PCB FABRICATION P/N 006156000 AND PCB ASSEMBLY P/N 006155900 (POWER AMP).
4. ALL DIODES ARE 1N4448.
3. ALL POLARIZED CAPACITORS IN  $\mu$ F, 20% 25V MINIMUM.
2. ALL UNPOLARIZED CAPACITORS IN  $\mu$ F, 10% OR BETTER, 50V MINIMUM. (POWER SUPPLY BYPASS CAPACITORS ARE 20%).
1. ALL RESISTORS IN OHMS, 5% 1/4W.
- NOTES: (UNLESS OTHERWISE NOTED)

THIS DOCUMENT CONTAINS INFORMATION OF A PROPRIETARY NATURE TO FENDER MUSICAL INSTRUMENTS AND IS SUBMITTED TO YOU IN CONFIDENCE AND SHALL NOT BE DISCLOSED OR TRANSMITTED TO OTHERS WITHOUT AUTHORIZATION FROM FENDER MUSICAL INSTRUMENTS.

CHECKED BY: \_\_\_\_\_  
DATE: \_\_\_\_\_

APPROVED BY: \_\_\_\_\_  
DATE: \_\_\_\_\_

DRAWN: MUJ/dBL ENGR: MUJ/dBL  
DATABASE FILE: Z55951.SCH

**Fender** MUSICAL INSTRUMENTS  
Corona, CA U.S.A.

TITLE: SERVICE DIAGRAM, COMBINED (schematic)  
RUMBLE 100  
BASS AMPLIFIER

SIZE	DRAWING NUMBER	REV.
D	0061557000	A

RELEASE DATE: 26-NOV-02 SHEET: 1 OF 4

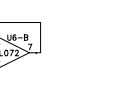
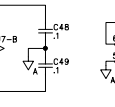
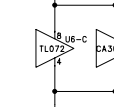
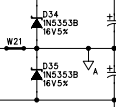
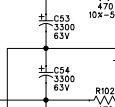
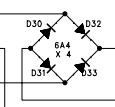
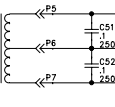
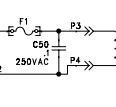
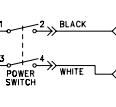
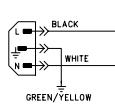
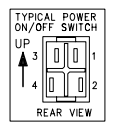
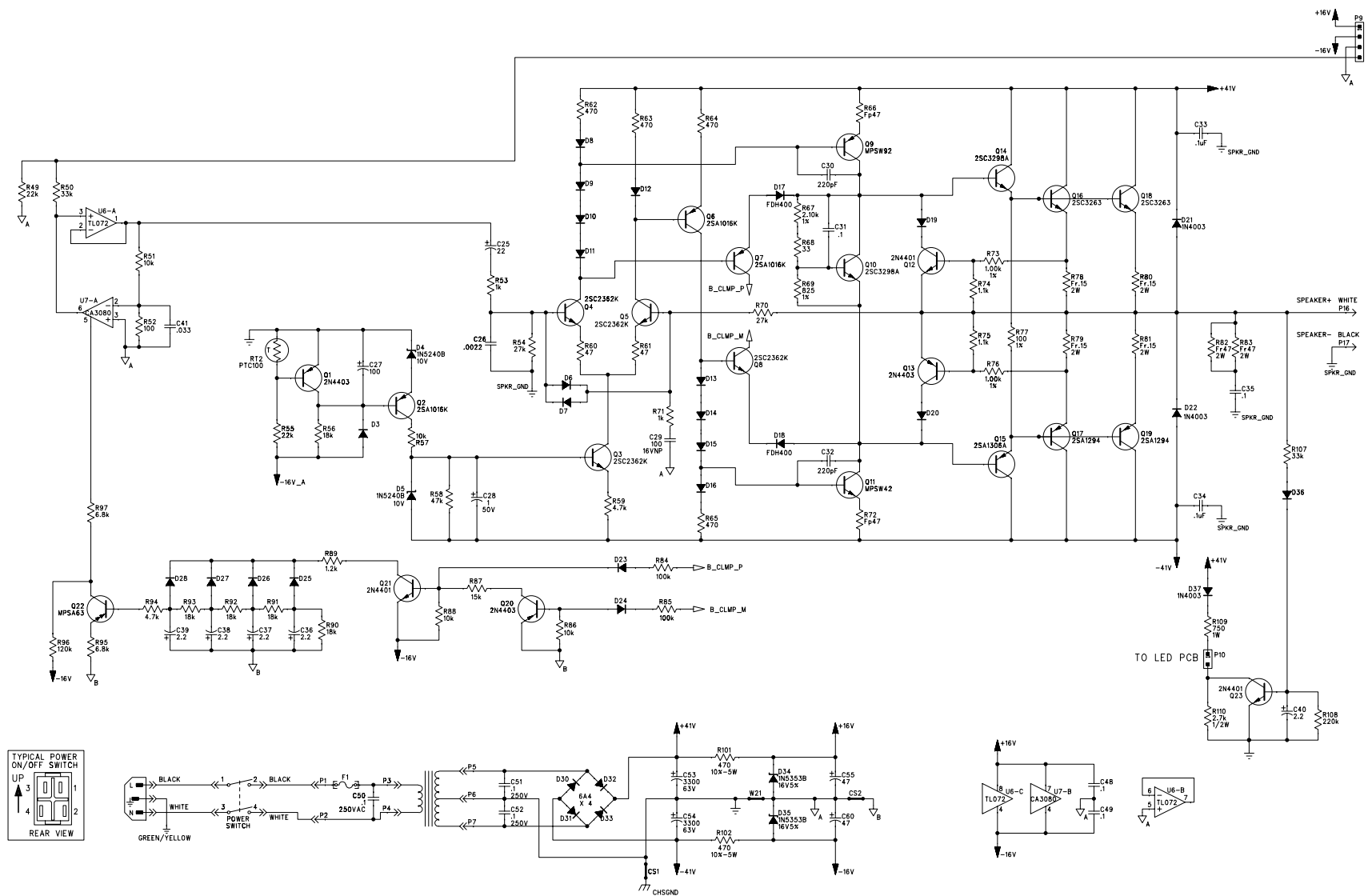
8 7 6 5 4 3 2 1

8 7 6 5 4 3 2 1

REVISIONS			
REV.	DESCRIPTION	DATE	APPROVED
A	PR559	26-NOV-02	dBL

D  
C  
B  
A

D  
C  
B  
A



POWER AMP PCB ASSEMBLY

- NOTES: (UNLESS OTHERWISE NOTED)
1. ALL RESISTORS IN OHMS, 5%; 1/4W.
  2. ALL UNPOLARIZED CAPACITORS IN  $\mu$ F, 10% OR BETTER; 50V MINIMUM. (POWER SUPPLY BYPASS CAPACITORS ARE 20%).
  3. ALL POLARIZED CAPACITORS IN  $\mu$ F, 20%; 25V MINIMUM.
  4. ALL DIODES ARE 1N4448.
  5. THIS SCHEMATIC IS FOR PCB FABRICATION P/N 0061558000 AND PCB ASSEMBLY P/N 0061558000 (PREAMP). PCB FABRICATION P/N 0061560000 AND PCB ASSEMBLY P/N 0061559000 (POWER AMP).
  6. LAST REFERENCE DESIGNATORS USED: C61, D35, F1, J6, P15, Q22, R104, S3, U8.

THIS DOCUMENT CONTAINS INFORMATION OF A PROPRIETARY NATURE TO FENDER MUSICAL INSTRUMENTS AND IS SUBMITTED TO YOU IN CONFIDENCE AND SHALL NOT BE DISCLOSED OR TRANSMITTED TO OTHERS WITHOUT AUTHORIZATION FROM FENDER MUSICAL INSTRUMENTS.		<b>MUSICAL INSTRUMENTS</b> Corona, CA U.S.A.	
CHECKED BY: _____		TITLE: SERVICE DIAGRAM, COMBINED (schematic)	
DATE: _____		RUMBLE 100	
APPROVED BY: _____		BASS AMPLIFIER	
DATE: _____	SIZE: <b>D</b>	DRAWING NUMBER: <b>0061557000</b>	REV. <b>A</b>
DRAWN: MU/dBL	ENGR: MU/dBL	RELEASE DATE: 26-NOV-02	SHEET: 2 OF 4
DATABASE FILE: Z55952.SCH			

8 7 6 5 4 3 2 1