



SPIRIT POWERSTATION

By Soundcraft

TYPICAL SPECIFICATIONS

T.H.D.

Mic, Line or stereo input to
Main Outputs, +20dB at outputs,
any input gain < 0.009%

Crosstalk

Fader Attenuation	100dB @1kHz
Aux Send Attenuation	80dB @1kHz
Stereo Separation	70dB @1kHz

Noise

Measured RMS, 22Hz to 22kHz bandwidth

Aux Outputs	-83dBu
Main Outputs	-80dBu

E.I.N.

Microphone Input, Maximum Gain,
terminated 150R -129dBu

Max. Gain to Main Outputs

Mic Input	74dB
Line Input	54dB
Stereo Input	32dB
Stereo Return & 2Track Return	12dB

Maximum Input Levels

Mic Input	+21dBu
Line Input	> 30dBu
Stereo Input	+26dBu
Stereo Return & 2Track Return	> 30dBu

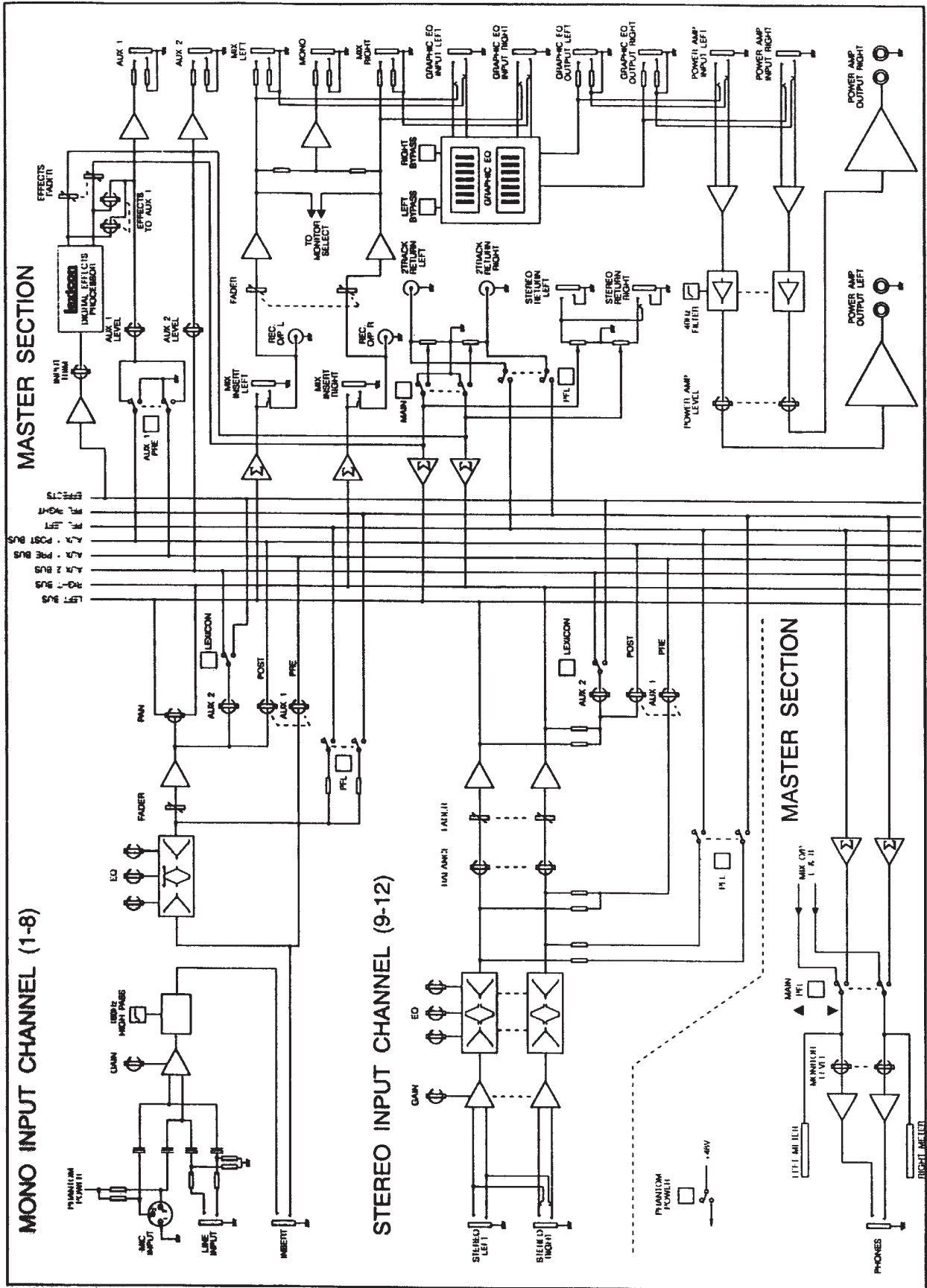
Maximum Output Levels

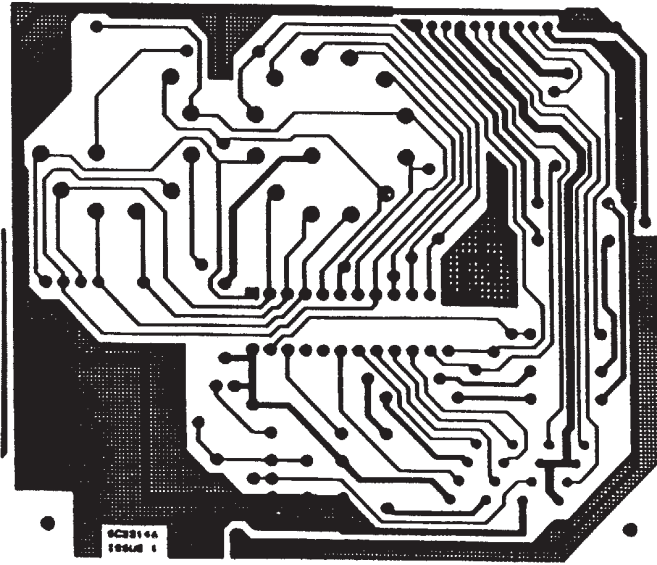
Any Output +22dBu



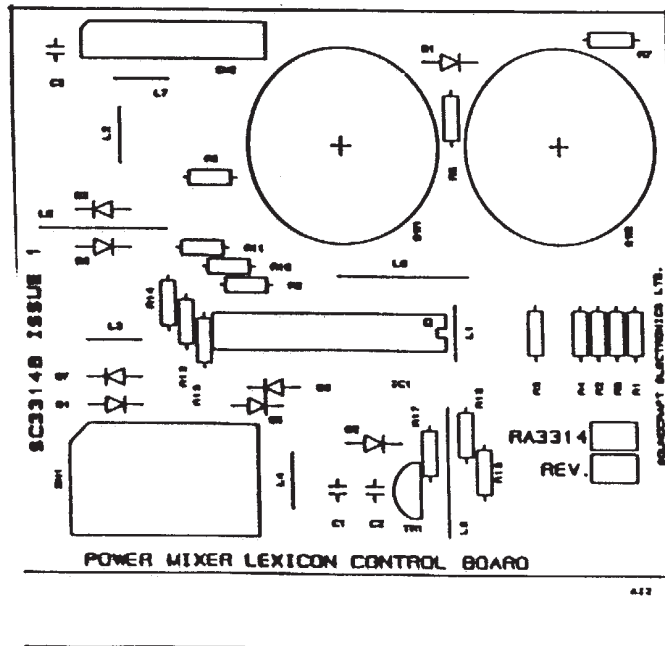
SPIRIT POWERSTATION

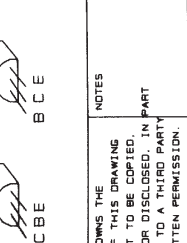
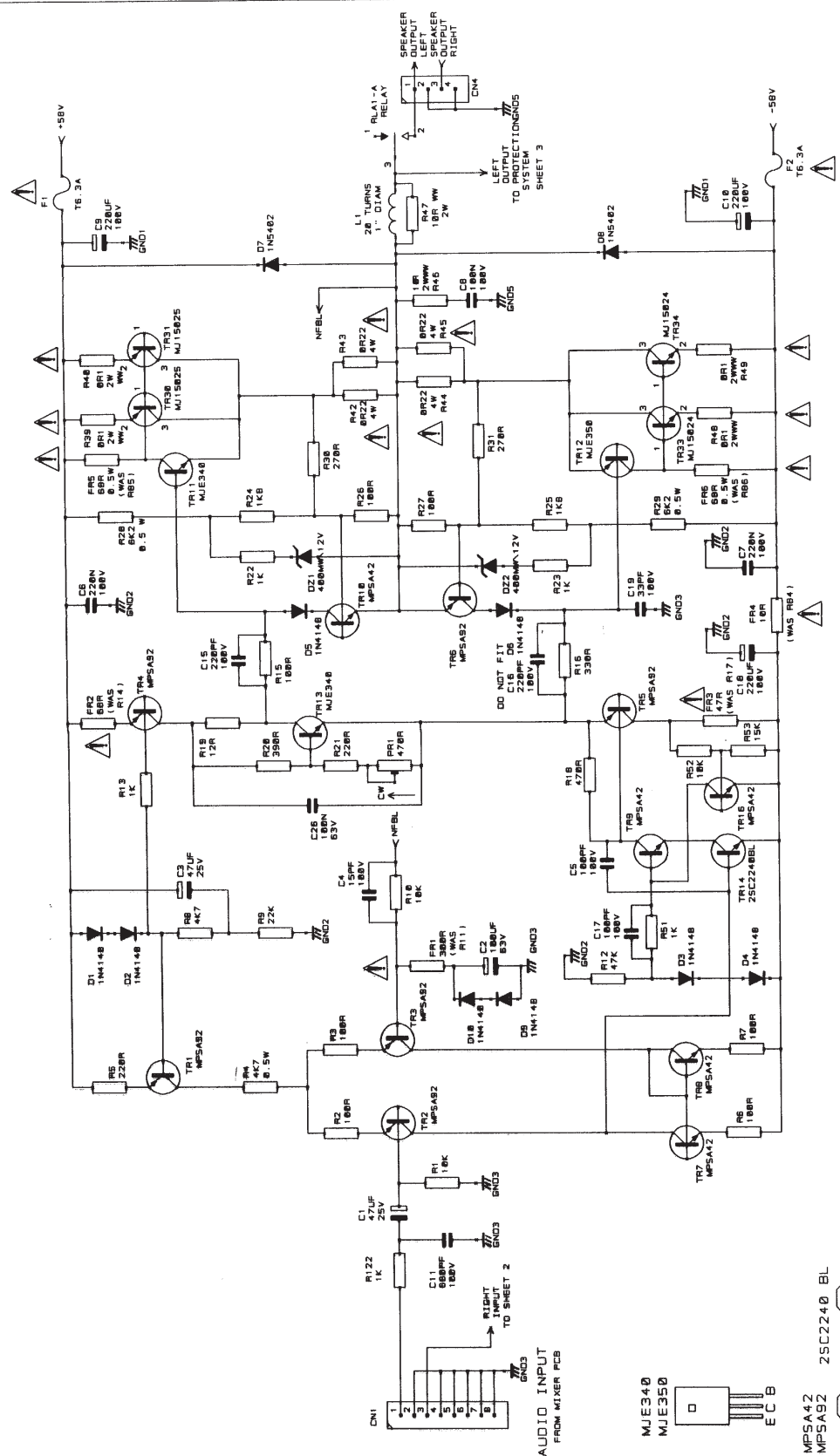
By Soundcraft





SC3314A ISSUE 1 17-8-94
POWER MIXER LEXICON CONTROL BOARD





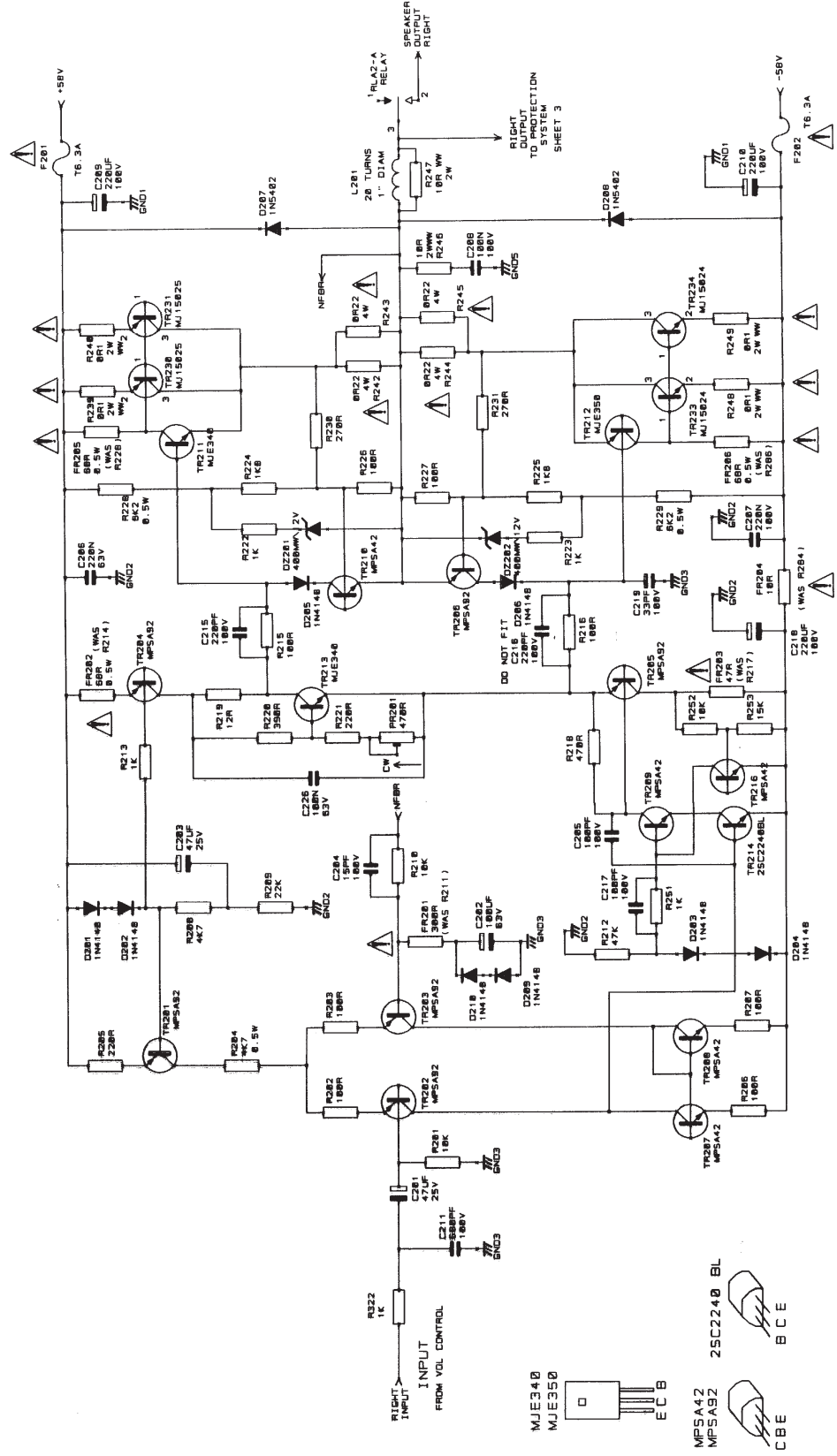
DRG NO. ED3312A

SOUND-CRAFT
HARMAN INT. INDUSTRIES LTD.
CRANBORNE HOUSE,
POTTERS BAR,
HERTS., ENG. 3 J.N.
TEL. 01787 665080
FAX: 01787 556922

TITLE STEREO POWER
AMP. LEFT CHAN.

NOTES
1) WHEN SERVICING, FUSIBLE RESISTORS (DESIGNATED FR) MUST BE REPLACED WITH SAME TYPE.

NOTES
SOUND-CRAFT OWNS THE COPYRIGHT OF THIS DRAWING WHICH IS NOT TO BE COPIED, REPRODUCED OR DISCLOSED, IN PART OR IN WHOLE TO A THIRD PARTY WITHOUT WRITTEN PERMISSION.



TITLE STEREO POWER
AMP., RIGHT CHAN

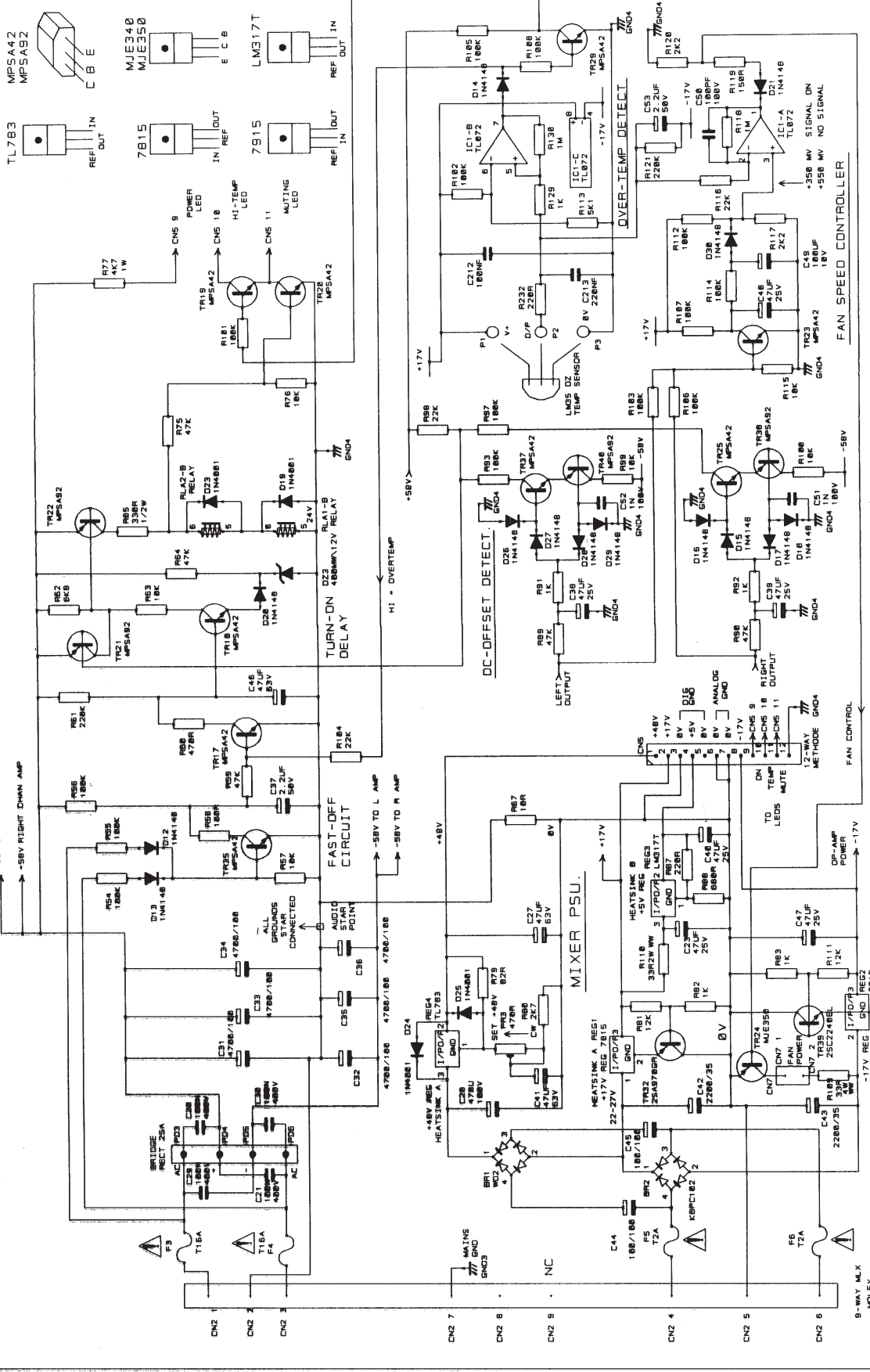
DRG NO. ED33128
SHT. 2 OF 3

NOTES
1) RESISTORS DESIGNATED FR MUST BE REPLACED WITH CORRECT FUSIBLE RESISTOR WHEN SERVICING

DO NOT FLT D206
DO NOT FLT D206
DO NOT FLT D206

SOUNDCRAFT OWNS THE
COPYRIGHT OF THIS DRAWING
WHICH IS NOT TO BE COPIED,
REPRODUCED OR DISCLOSED, IN PART
OR IN WHOLE TO A THIRD PARTY
WITHOUT WRITTEN PERMISSION.

SOUNDCRAFT INDUSTRIES LTD. OS
CRANBORNE HOUSE,
HERTS ENGL. S.J.N.
TEL: 01767 665988
FAX: 01767 668462



DRWG NO. ED 3312C

SOUNDSCRAFT
CHANDLER INT. INDUSTRIES CORP.

CHANDLER HOUSE,
HERTS ENG 3UN,
TEL: 01767 655088
FAX: 01767 655482

TITLE
STEREO
AMPLIFIER
PROTECTION SYSTEM

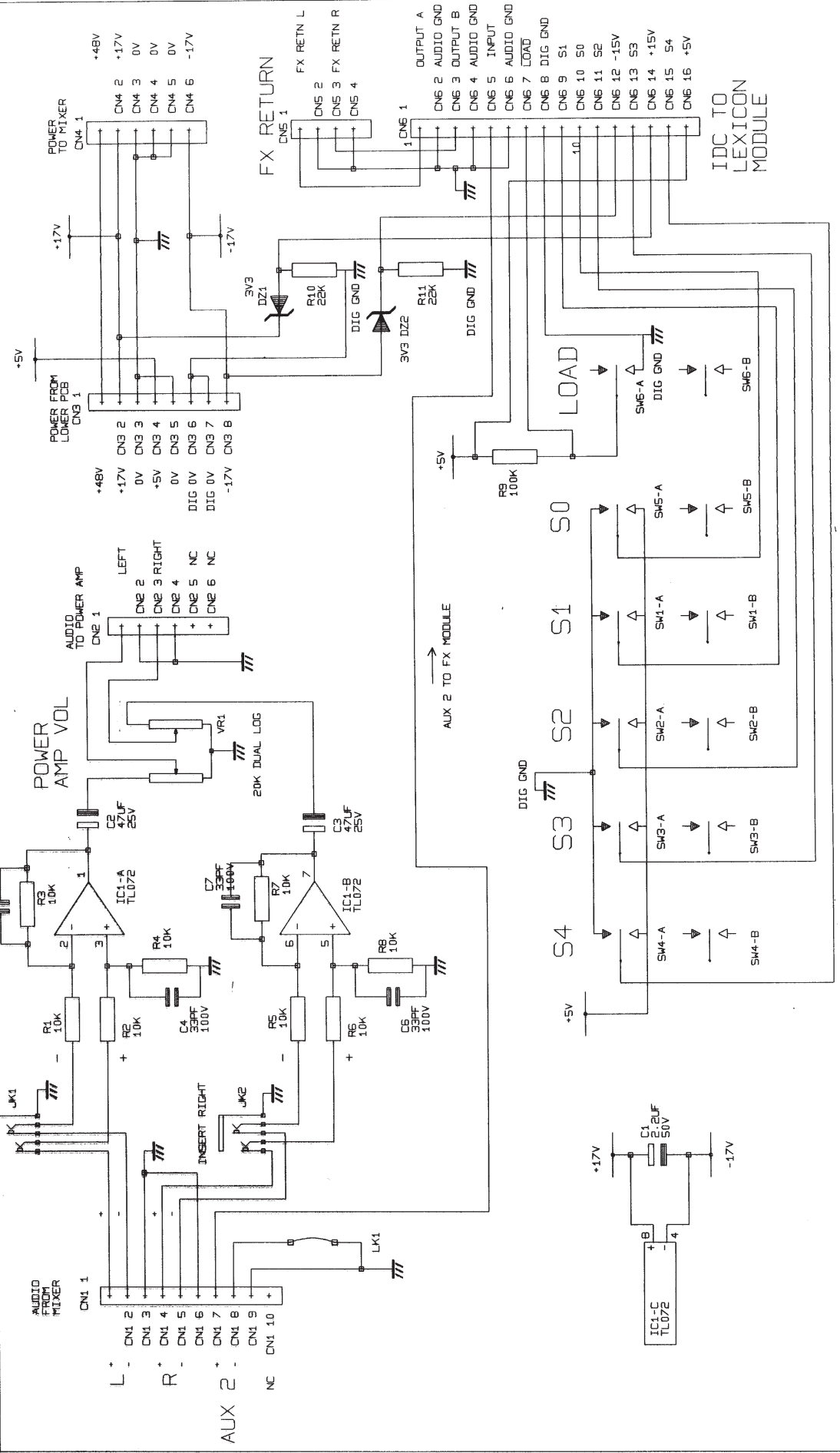
DRG NO. ED 3312C

SHIT 3 OF 3

NOTES
SOUNDSCRAFT OWNS THE
COPYRIGHT OF THIS DRAWING
WHICH IS NOT TO BE COPIED,
REPRODUCED OR DISCLOSED, IN PART
OR IN WHOLE TO A THIRD PARTY
WITHOUT WRITTEN PERMISSION.

DRG NO. ED3313

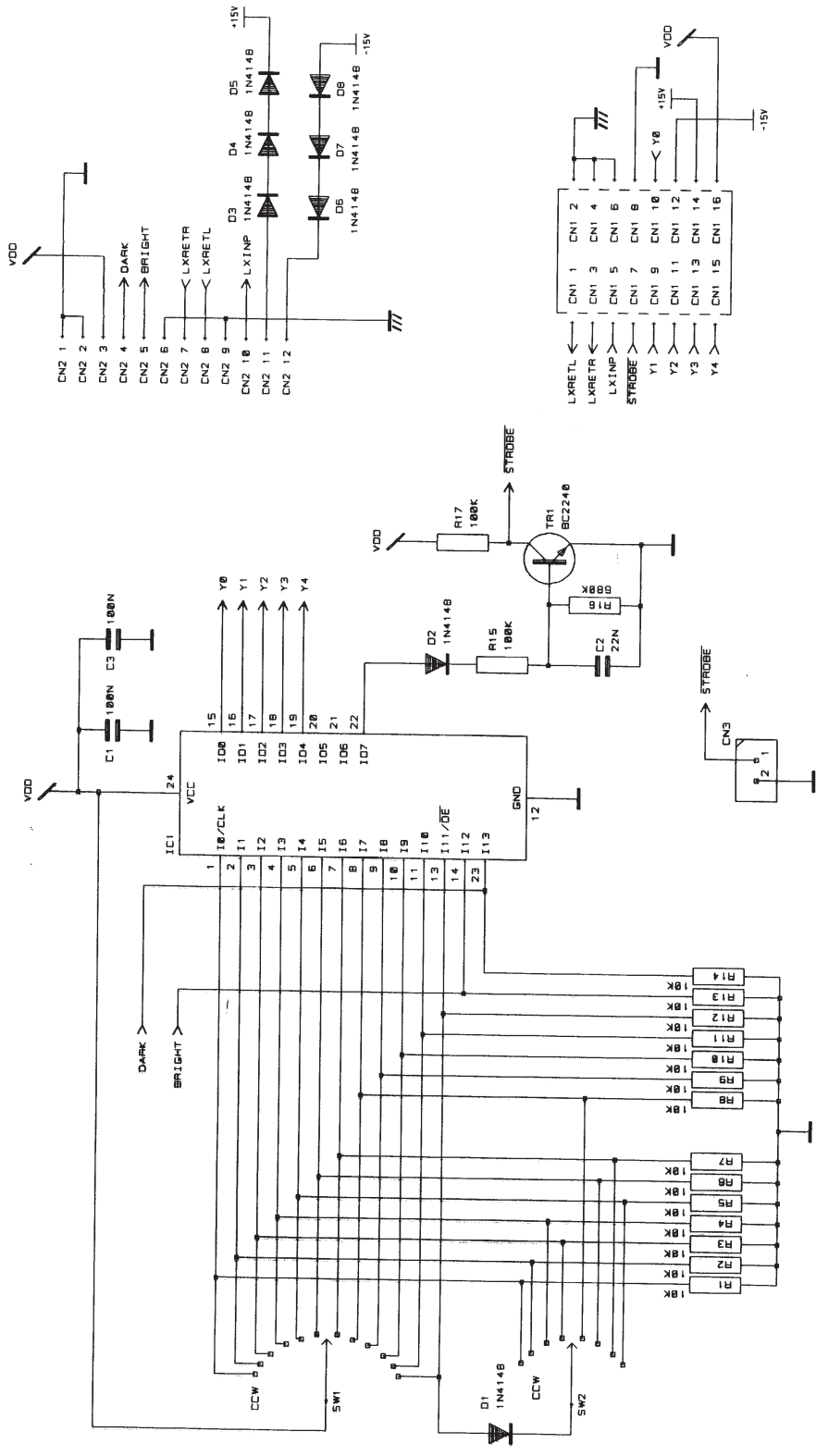
INITIAL DS
ISSUE 1
DATE 16-11-93



SOUNDCRAFT ELECTRONICS LTD OWNS THE COPYRIGHT OF THIS DRAWING WHICH IS NOT TO BE COPIED, REPRODUCED OR DISCLOSED, IN PART OR IN WHOLE TO A THIRD PARTY WITHOUT WRITTEN PERMISSION.		DRG NO. ED3313	SHT. 1 OF 1
DRN. DS	TITLE	POWERED MIXER ADAPTER BOARD.	
SOUNDCRAFT ELECTRONICS LTD. CRANBORNE HOUSE, CRANBORNE INDUSTRIAL ESTATE, CRANBORNE ROAD, POTTERS BAR, HERTS. EN6 3JN. TEL: 0707 665000 FAX: 0707 660462			
NOTES			

DRG NO. ED3314

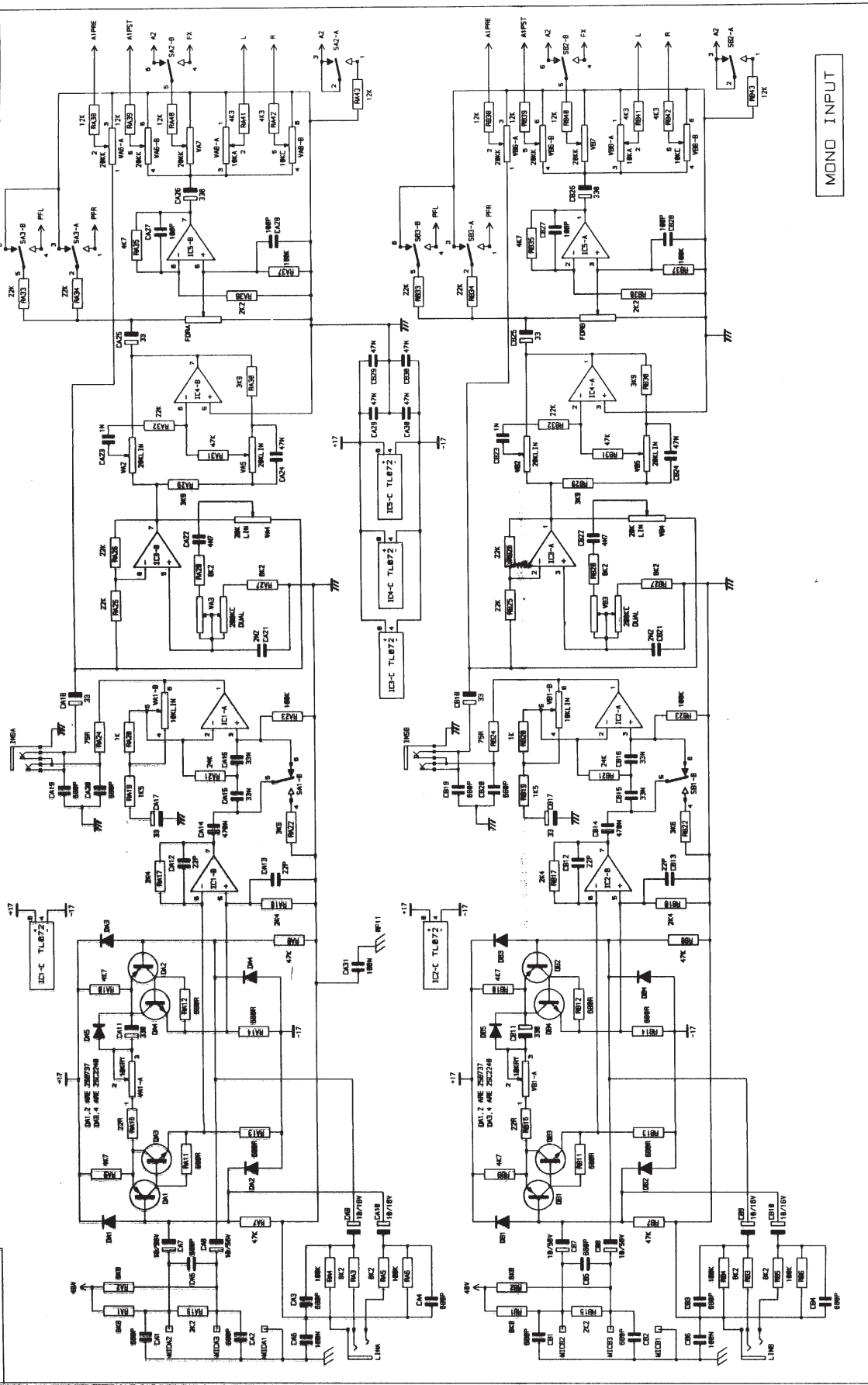
INITIAL	ISSUE	DATE
DCB	2	7/2/95



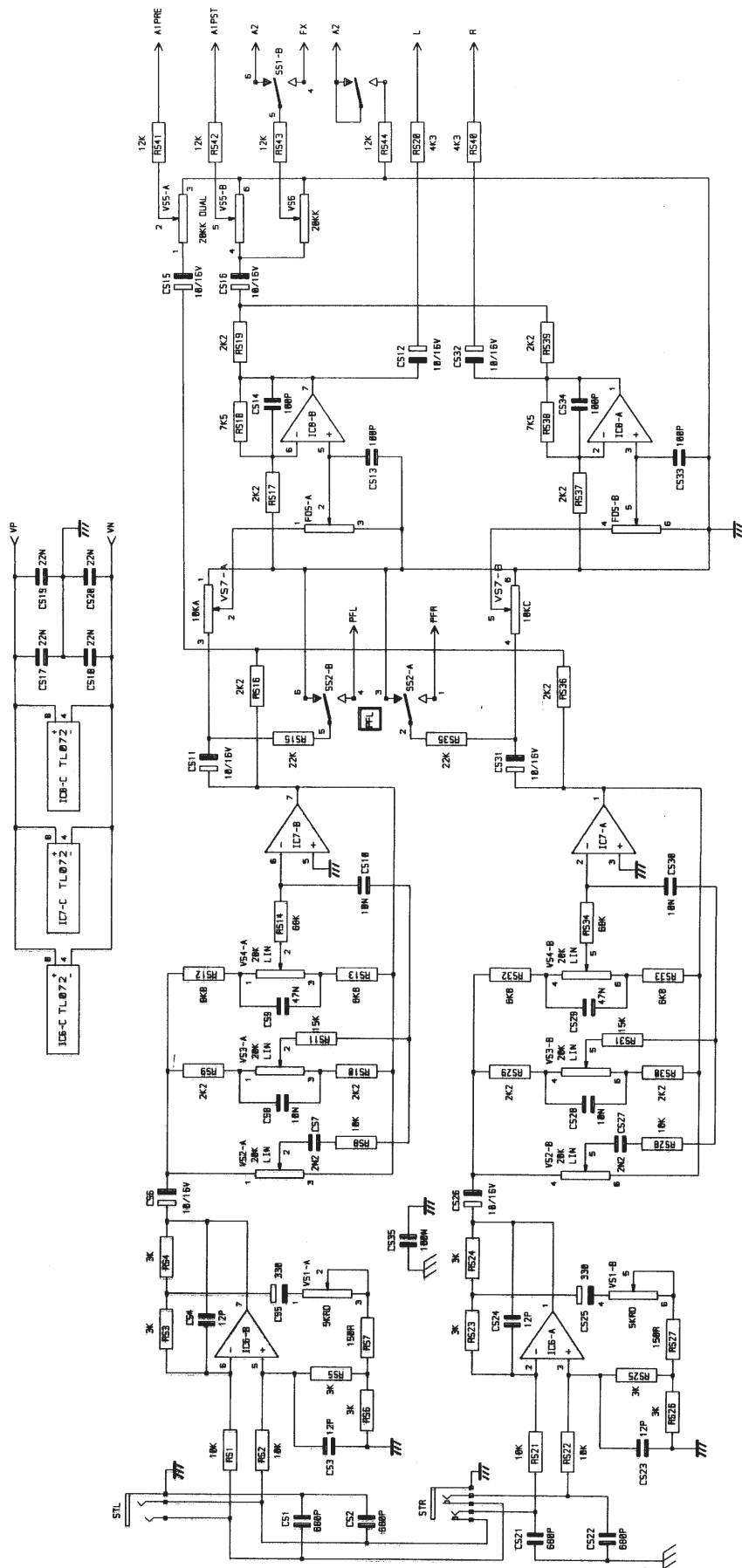
NOTES
 SOUNDCRAFT ELECTRONICS LTD OWNS
 THE COPYRIGHT OF THIS DRAWING
 WHICH IS NOT TO BE COPIED,
 REPRODUCED OR DISCLOSED, IN PART
 OR IN WHOLE TO A THIRD PARTY
 WITHOUT WRITTEN PERMISSION.

DRN. GB
 SOUNDCRAFT ELECTRONICS LTD.
 CRANBORNE HOUSE,
 CRANBORNE INDUSTRIAL ESTATE,
 CRANBORNE ROAD,
 POTTERS BAR,
 HERTS., EN6 3JN.
 TEL: 0707 665000
 FAX: 0707 660482

TITLE
 POWER STATION
 LEXICON CONTROL BOARD
 DRG NO. ED3314
 SHT. 1 OF 1



SOUNDWAVE ELECTRONICS LTD OWING THE COPYRIGHT OF THIS DRAWING WHICH IS NOT TO BE COPIED, REPRODUCED OR DISCLOSED, IN PART OR IN WHOLE TO A THIRD PARTY WITHOUT WRITTEN PERMISSION.		NOTES
SOUNDWAVE ELECTRONICS LTD CHANDONHOE HOUSE, INDUSTRIAL ESTATE, CHANDONHOE ROAD, POTTERS BAR, HERTS. SG8 3JH TEL: 0438 777000 FAX: 0438 770042		DMB
TITLE POWER AMP MAIN BOARD		DWG NO. ED3316A
SHEET 1 OF 6		

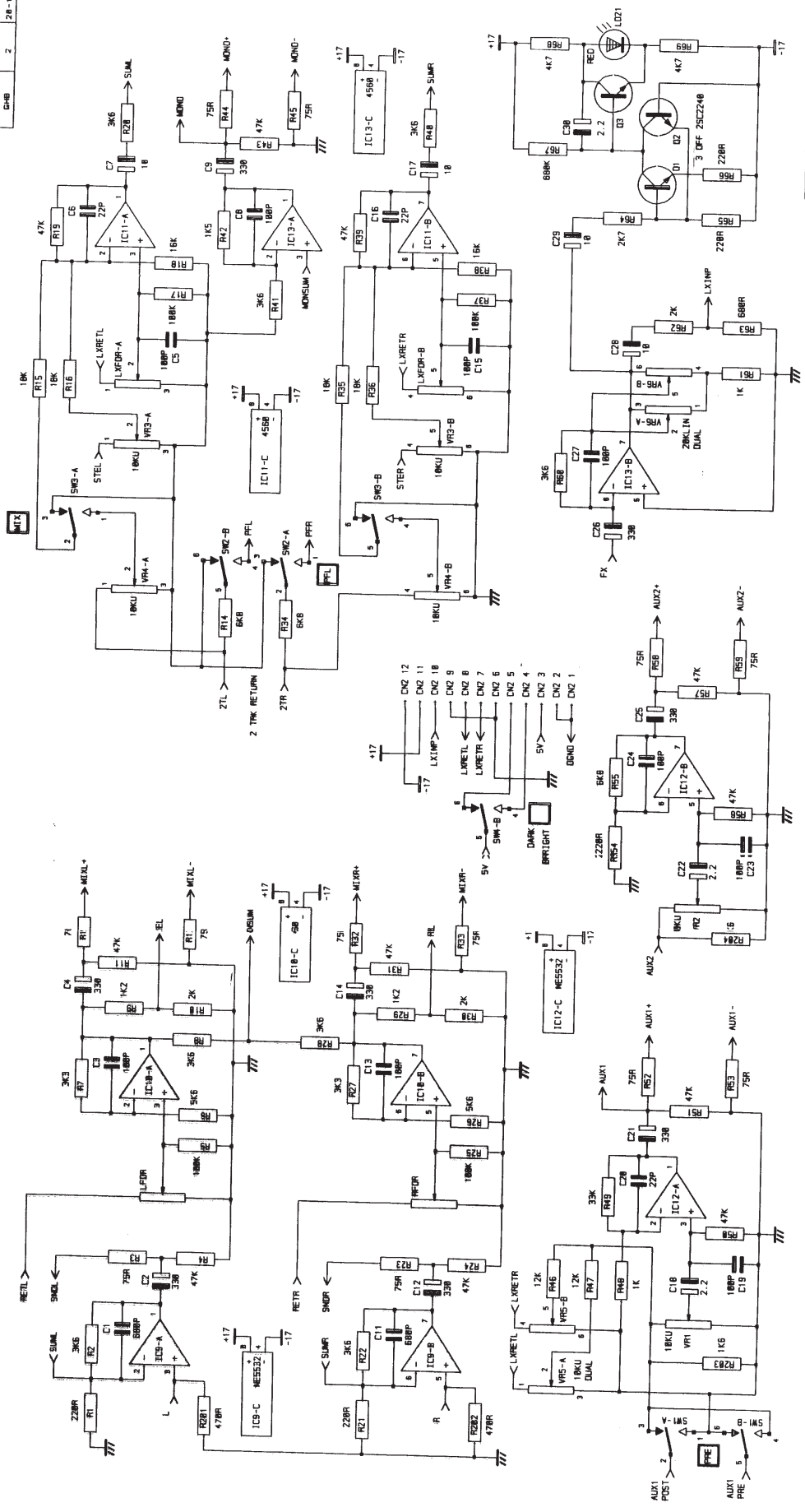


STEREO INPUT

SOUNDRAFT ELECTRONICS LTD. OWNS THE COPYRIGHT OF THIS DRAWING WHICH IS NOT TO BE COPIED, REPRODUCED OR DISCLOSED, IN PART OR IN WHOLE TO A THIRD PARTY WITHOUT WRITTEN PERMISSION.	NOTES	NOTES	DPN. GHB TITLE POWER AMP MAIN BOARD
	FOUNDRAFT ELECTRONICS LTD. PANSLOWNE HOUSE CENTRAL ESTATE, PANSLOWNE ROAD, POTTERS BAR, HERTS., ENG 3JN TEL: 0787 665088 FAX: 0787 666482		DNG NO. ED 3316B SHT. 2 OF 6

INITIAL	ISSUE	DATE
DHB	2	26-12-84

DRWG NO. ED3316C



MASTER 1

NOTES
 SOUNDRAFT ELECTRONICS LTD. OWNS
 THE COPYRIGHT OF THIS DRAWING.
 NO PARTS ARE TO BE REPRODUCED,
 REPRODUCED OR DISCLOSED IN ANY
 OR IN WHOLE TO A THIRD PARTY
 WITHOUT WRITTEN PERMISSION.

NOTES

SOUNDRAFT ELECTRONICS LTD.
 TRANSDRONE HOUSE,
 TRANSDRONE INDUSTRIAL ESTATE,
 POTTERS BAR,
 HERTS., ENG. J11
 TEL: 0438 668060
 FAX: 0438 668462

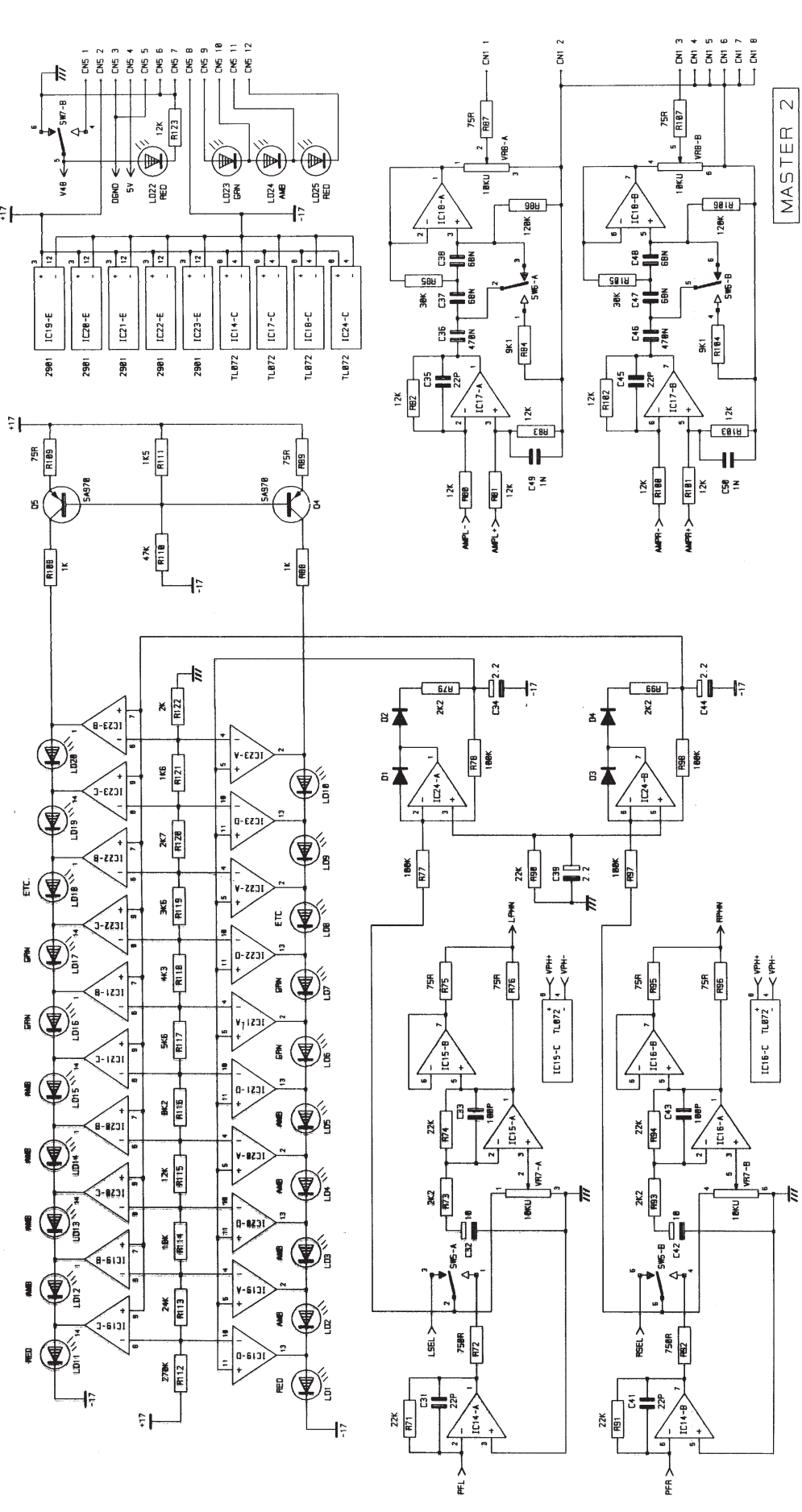
DRWN. DHB

TITLE
**POWER AMP
 MAIN BOARD**

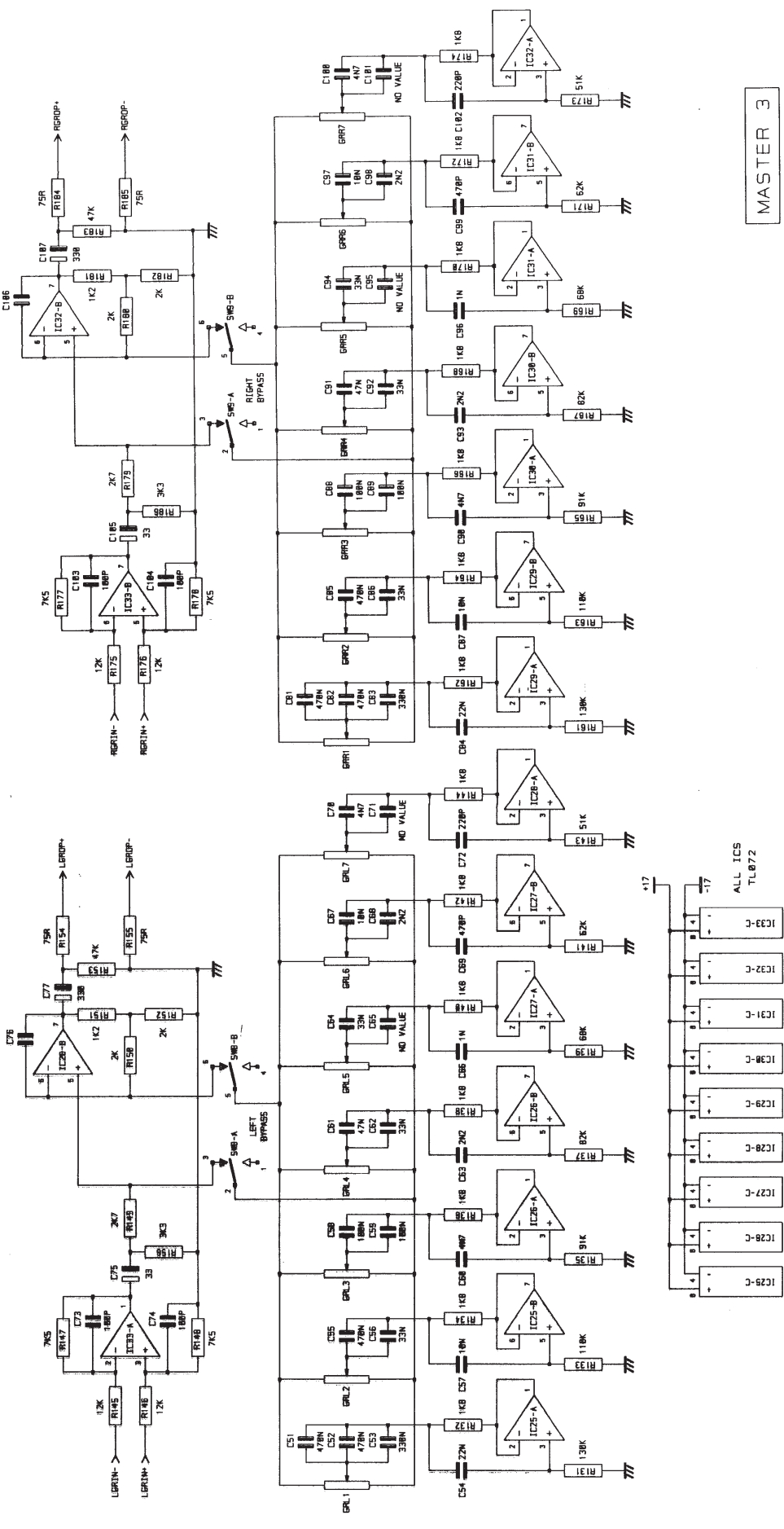
DRWG NO. ED3316C

SHT. 3 OF 6

ALL DIODES ARE 1N4148 TYPE.



DRN.	GHB	TITLE	POWER AMP MAIN BOARD
NOTES		SOUNDSCRIPT ELECTRONICS LTD. FRANKING HOUSE FRANKING ROAD, POTTERS BAR, HERTS., EN6 3JN TEL.: 0767 659000 FAX: 0767 659482	OWS NO. ED 33160
NOTES		SOUNDSCRIPT ELECTRONICS LTD. OWNS ALL RIGHTS RESERVED. REPRODUCING OR REPRODUCING THIS DRAWING WHICH IS NOT TO BE COPIED, REPRODUCED OR DISCLOSED, IN PART OR IN WHOLE TO A THIRD PARTY WITHOUT WRITTEN PERMISSION.	SHT. 4 OF 6



MASTER 3

<p>NOTES</p> <p>1. SOUND-CRAFT ELECTRONICS LTD. OWNS THE COPYRIGHT OF THIS DRAWING WHICH IS NOT TO BE COPIED, REPRODUCED OR DISCLOSED, IN PART OR WHOLE, TO ANY PARTY WITHOUT WRITTEN PERMISSION.</p>	<p>NOTES</p> <p>ALL IC'S TL072</p>	<p>DWG NO. ED3316E</p> <p>5 OF 6</p>
<p>BOUND-CRAFT ELECTRONICS LTD. DRANDORNE HOUSE, DRANDORNE INDUSTRIAL ESTATE, COTTERS BARK 3, 3A, HERTFORDSHIRE TEL: 0727 665888 FAX: 0727 665492</p>	<p>OPN. GHB</p> <p>TITLE POWER AMP MIXER BOARD</p>	<p>DWG NO. ED3316E</p> <p>SHT. 5 OF 6</p>