

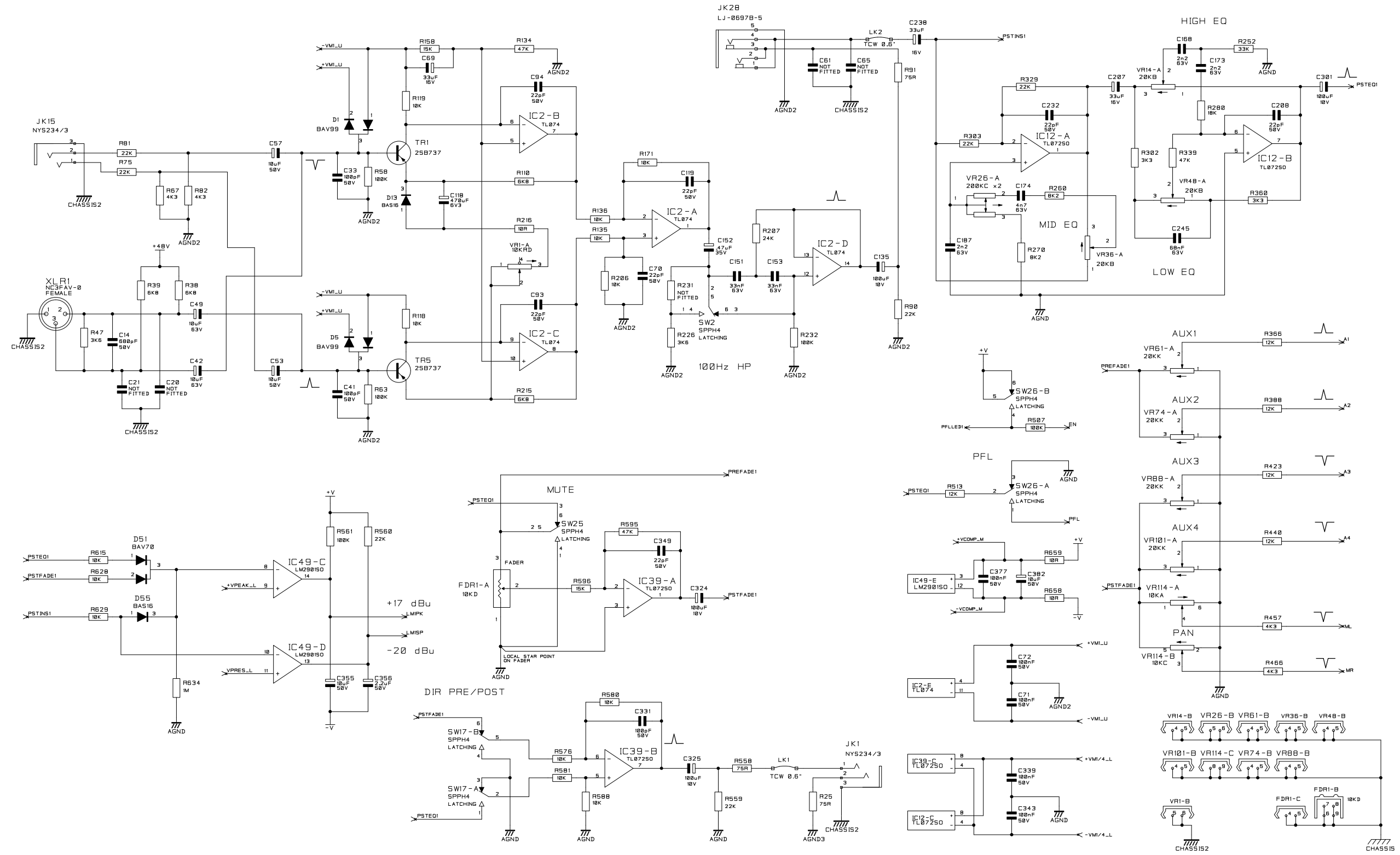
SOUNDCRAFT OWN THE COPYRIGHT OF THIS DRAWING WHICH IS NOT TO BE COPIED, REPRODUCED OR DISCLOSED, IN PART OR WHOLE TO A THIRD PARTY WITHOUT PRIOR WRITTEN PERMISSION.

SOUNDCRAFT
HARMAN INT. INDUSTRIES LTD.
CRANBORNE HOUSE,
CRANBORNE ROAD,
POTTERS BAR,
HERTS. EN6 3JN.
TEL: 01707 665000
FAX: 01707 660402

NOTES

DRN.	PMD	CN No.	INITIAL	DATE	ISSUE
DATE	02-10-00	PRE-PROD	PMD	18-01-01	03A
MASTER IF RED		PRE-PROD	ML	02-01-01	02C

TITLE	SPIRIT M4	
DRG NO.	ED4096	SHT. 1 OF 15

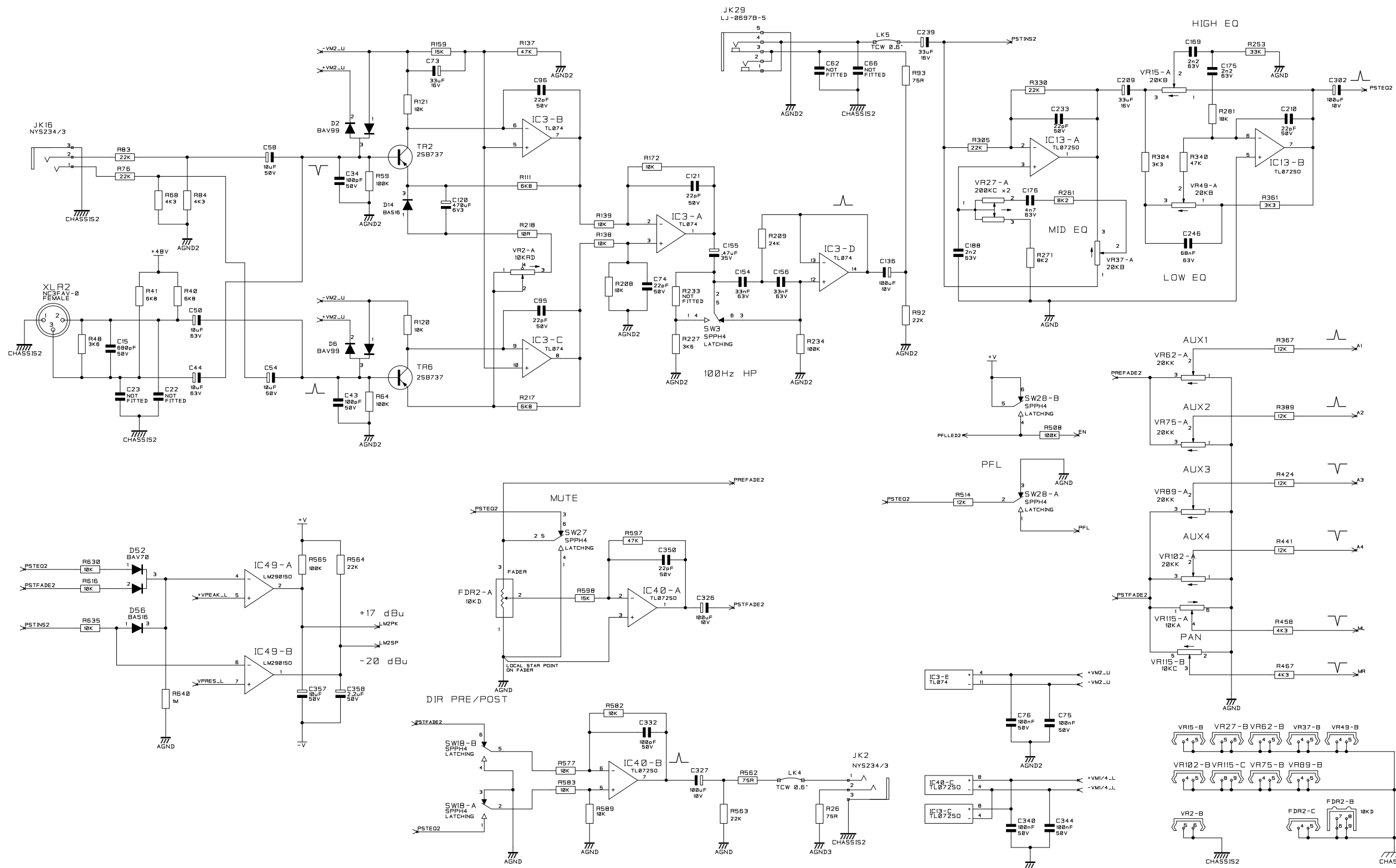


SOUNDCRAFT OWN THE COPYRIGHT OF THIS DRAWING WHICH IS NOT TO BE COPIED, REPRODUCED OR DISCLOSED, IN PART OR WHOLE TO A THIRD PARTY WITHOUT PRIOR WRITTEN PERMISSION.

SOUNDCRAFT
HARMAN INT. INDUSTRIES LTD.
CRANBORNE HOUSE,
CRANBORNE ROAD,
POTTERS BAR,
HERTS. EN9 3JN.
TEL: 01707 665000
FAX: 01707 660482

NOTES

DRN.	PMD	CN No.	INITIAL	DATE	ISSUE	TITLE	SPIRIT M4 MONO INPUT CHANNEL 1
DATE	02-10-00	PRE-PROD	PMD	18-01-01	03A		
MASTER IF RED		PRE-PROD	ML	02-01-01	02C		
						DRG NO.	ED4096
							SHT. 2 OF 15

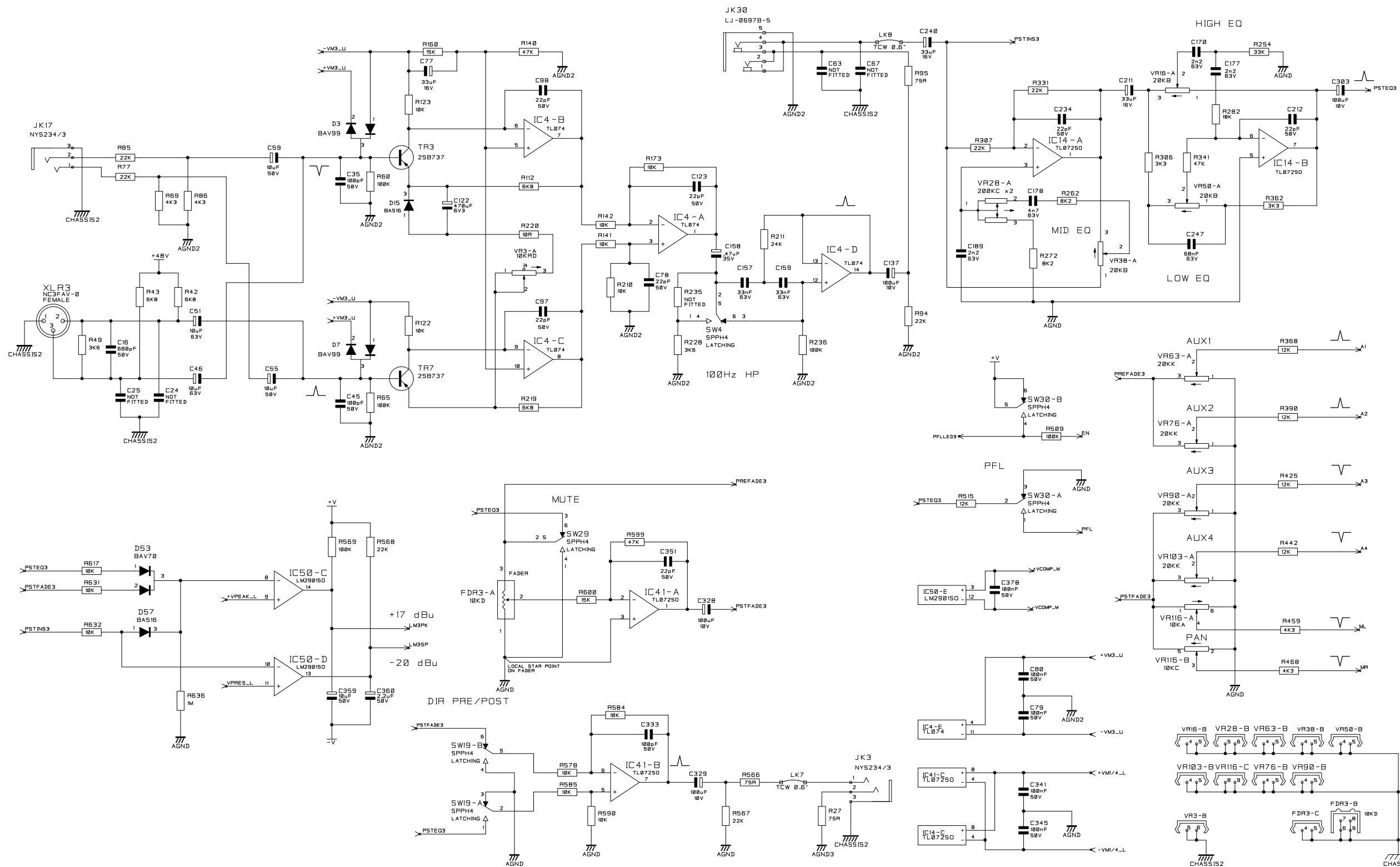


SOUNDCRAFT OWN THE COPYRIGHT OF THIS DRAWING WHICH IS NOT TO BE COPIED, REPRODUCED OR DISCLOSED, IN PART OR WHOLE TO A THIRD PARTY WITHOUT PRIOR WRITTEN PERMISSION.

SOUNDCRAFT
HARMAN INT. INDUSTRIES LTD.
CRANBORNE HOUSE,
CRANBORNE ROAD,
POTTERS BAR,
HERTS. EN9 3JN.
TEL: 01707 665000
FAX: 01707 660482

NOTES

DRN.	PMD	CN No.	INITIAL	DATE	ISSUE	TITLE	SPIRIT M4 MONO INPUT CHANNEL 2
DATE	02-10-00	PRE-PROD	PMD	18-01-01	03A		
MASTER IF RED		PRE-PROD	ML	02-01-01	02C		
						DRG NO.	ED4096
							SHT. 3 OF 15

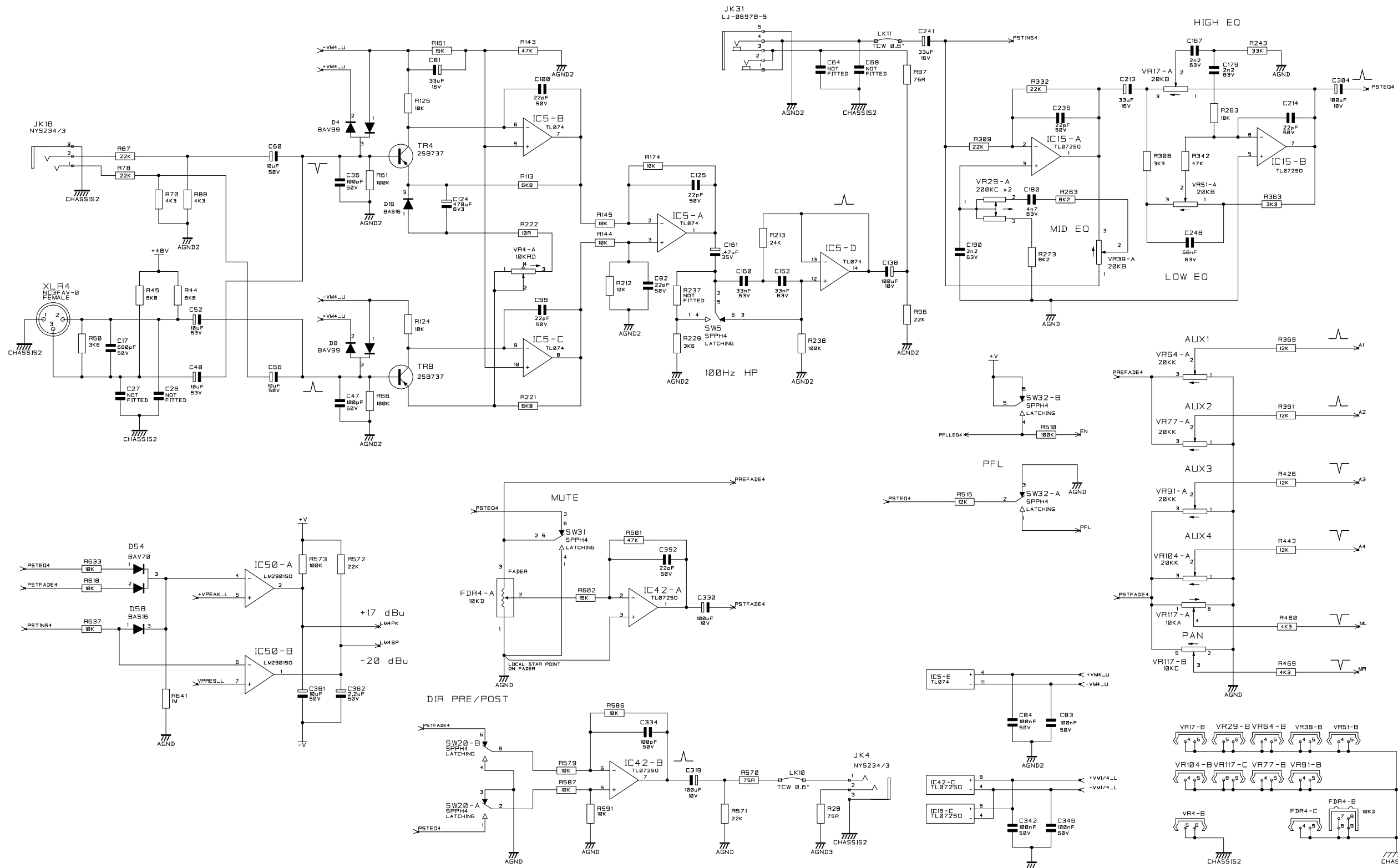


SOUNDCRAFT OWN THE COPYRIGHT OF THIS DRAWING WHICH IS NOT TO BE COPIED, REPRODUCED OR DISCLOSED, IN PART OR WHOLE TO A THIRD PARTY WITHOUT PRIOR WRITTEN PERMISSION.

SOUNDCRAFT
HARMAN INT. INDUSTRIES LTD.
CRANBORNE HOUSE,
CRANBORNE ROAD,
POTTERS BAR,
HERTS. EN6 3JN.
TEL: 01707 665000
FAX: 01707 660482

NOTES

DRN.	PMD	CN No.	INITIAL	DATE	ISSUE	TITLE	SPIRIT M4 MONO INPUT CHANNEL 3
DATE	02-10-00	PRE-PROD	PMD	18-01-01	03A		
MASTER IF RED		PRE-PROD	ML	02-01-01	02C		
						DRG NO.	ED4096
							SHT. 4 OF 15

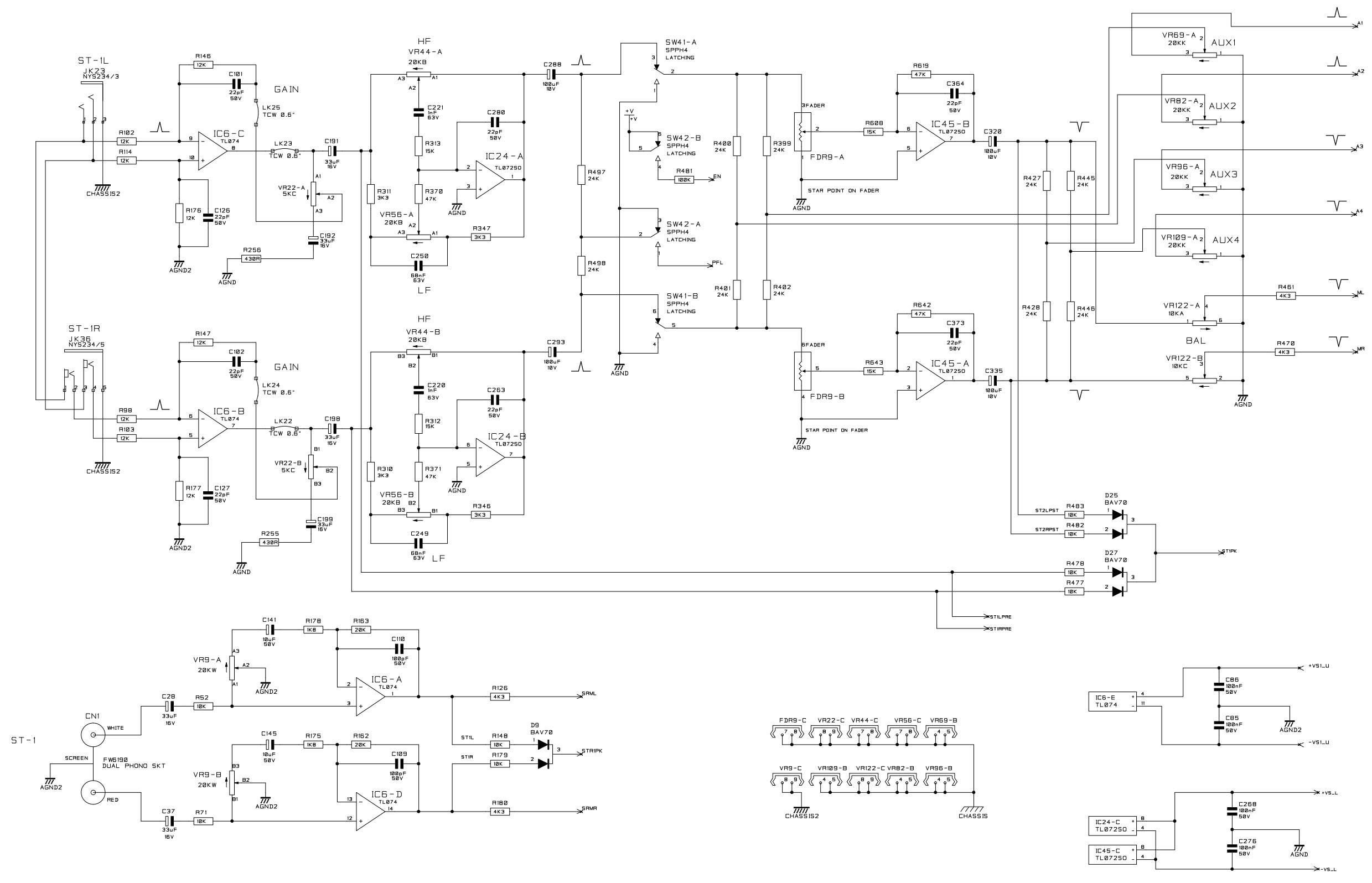


SOUNDCRAFT OWN THE COPYRIGHT OF THIS DRAWING WHICH IS NOT TO BE COPIED, REPRODUCED OR DISCLOSED, IN PART OR WHOLE TO A THIRD PARTY WITHOUT PRIOR WRITTEN PERMISSION.

SOUNDCRAFT
HARMAN INT. INDUSTRIES LTD.
CRANBORNE HOUSE,
CRANBORNE ROAD,
POTTERS BAR,
HERTS. EN9 3JN.
TEL: 01707 665000
FAX: 01707 660482

NOTES

DRN.	PMD	CN No.	INITIAL	DATE	ISSUE	TITLE	SPIRIT M4 MONO INPUT CHANNEL 4
DATE	02-10-00	PRE-PROD	PMD	18-01-01	03A		
MASTER IF RED		PRE-PROD	ML	02-01-01	02C		
						DRG NO.	ED4096
							SHT. 5 OF 15

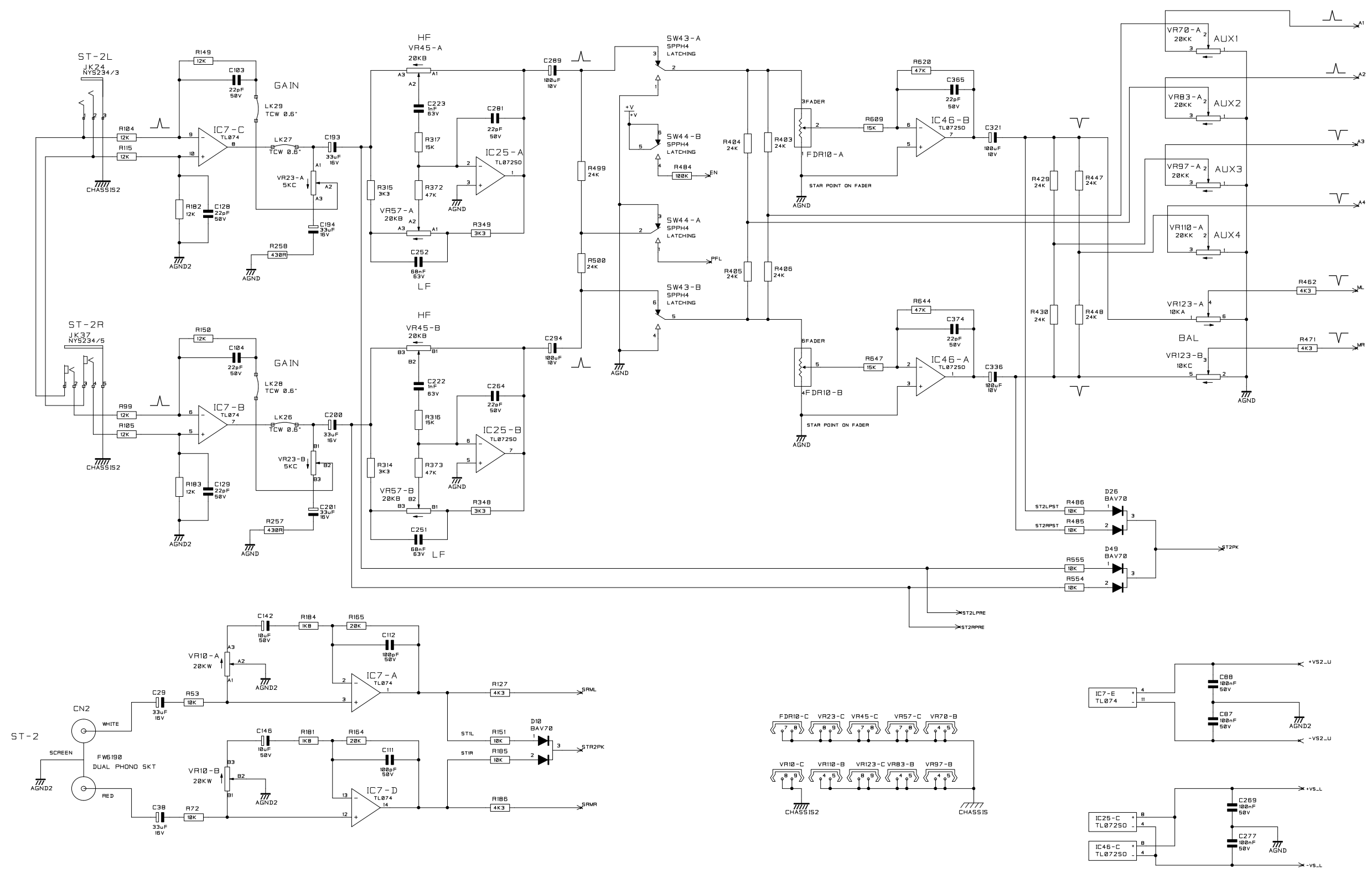


SOUNDCRAFT OWN THE COPYRIGHT OF THIS DRAWING WHICH IS NOT TO BE COPIED, REPRODUCED OR DISCLOSED, IN PART OR WHOLE TO A THIRD PARTY WITHOUT PRIOR WRITTEN PERMISSION.

SOUNDCRAFT
HARMAN INT. INDUSTRIES LTD.
CRANBORNE HOUSE,
CRANBORNE ROAD,
POTTERS BAR,
HERTS. EN6 3JN.
TEL: 01707 665000
FAX: 01707 660402

NOTES

DRN.	PMD	CN No.	INITIAL	DATE	ISSUE	TITLE	SPIRIT M4 STEREO INPUT 1
DATE	02-10-00	PRE-PROD	PMD	18-01-01	03A	DRG NO. ED4096	
MASTER IF RED		PRE-PROD	ML	02-01-01	02C		



SOUNDCRAFT OWN THE COPYRIGHT OF THIS DRAWING WHICH IS NOT TO BE COPIED, REPRODUCED OR DISCLOSED, IN PART OR WHOLE TO A THIRD PARTY WITHOUT PRIOR WRITTEN PERMISSION.

SOUNDCRAFT
HARMAN INT. INDUSTRIES LTD.
CRANBORNE HOUSE,
CRANBORNE ROAD,
POTTERS BAR,
HERTS. EN6 3JN.
TEL: 01707 665000
FAX: 01707 660402

NOTES

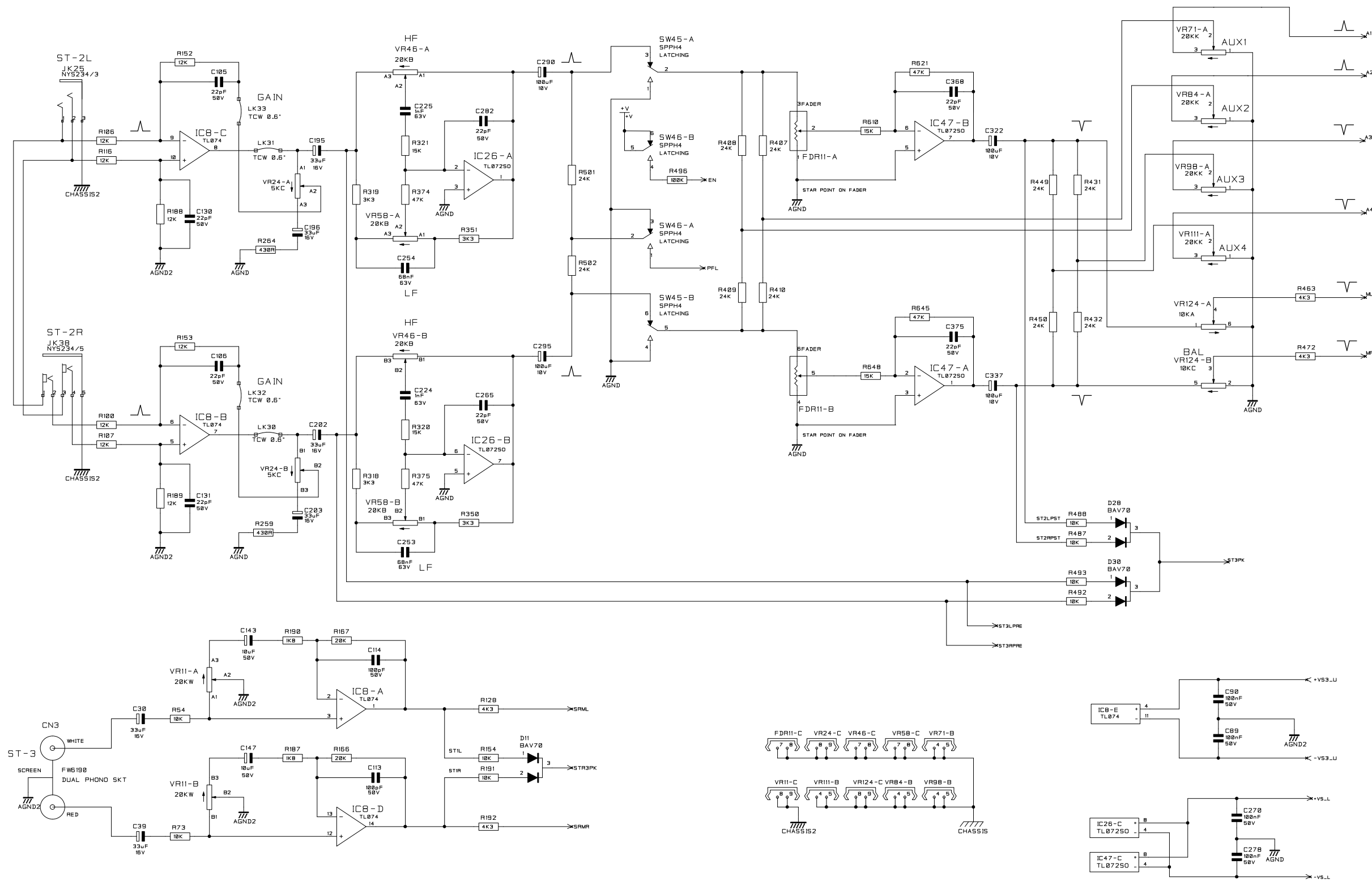
DRN. PMD
DATE 02-10-00
MASTER IF RED

CN No.	INITIAL	DATE	ISSUE
PRE-PROD	PMD	18-01-01	03A
PRE-PROD	ML	02-01-01	02C

TITLE
SPIRIT M4
STEREO INPUT 2

DRG NO. ED4096

SHT. 7 OF 15



SOUNDCRAFT OWN THE COPYRIGHT OF THIS DRAWING WHICH IS NOT TO BE COPIED, REPRODUCED OR DISCLOSED, IN PART OR WHOLE TO A THIRD PARTY WITHOUT PRIOR WRITTEN PERMISSION.

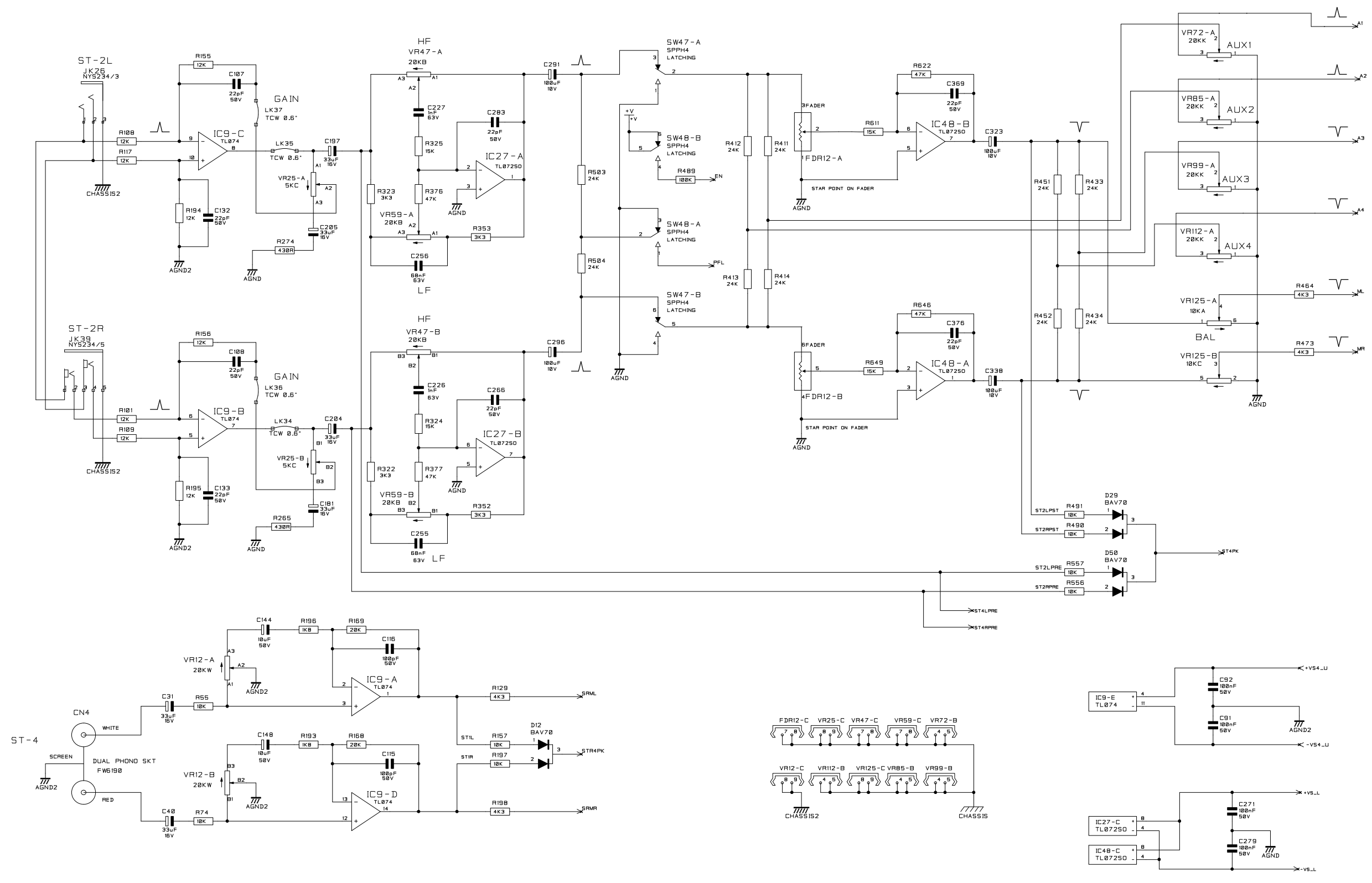
SOUNDCRAFT
HARMAN INT. INDUSTRIES LTD.
CRANBORNE HOUSE,
CRANBORNE ROAD,
POTTERS BAR,
HERTS. EN9 3JN.
TEL: 01707 665000
FAX: 01707 660402

NOTES

DRN.	PMD	CN No.	INITIAL	DATE	ISSUE	TITLE	SPIRIT M4 STEREO INPUT 3
DATE	02-10-00	PRE-PROD	PMD	18-01-01	03A		
MASTER IF RED		PRE-PROD	ML	02-01-01	02C		
						DRG NO.	ED4096
							SHT. 8 OF 15

DRG NO.

ED4096



SOUNDCRAFT OWN THE COPYRIGHT OF THIS DRAWING WHICH IS NOT TO BE COPIED, REPRODUCED OR DISCLOSED, IN PART OR WHOLE TO A THIRD PARTY WITHOUT PRIOR WRITTEN PERMISSION.

SOUNDCRAFT
HARMAN INT. INDUSTRIES LTD.
CRANBORNE HOUSE,
CRANBORNE ROAD,
POTTERS BAR,
HERTS. EN9 3JN.
TEL: 01707 665000
FAX: 01707 660402

NOTES

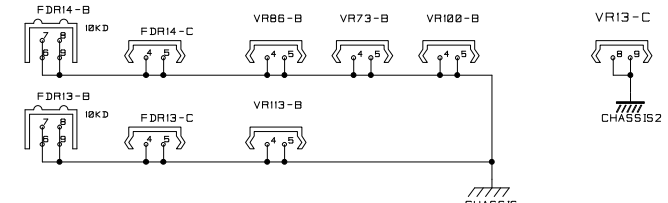
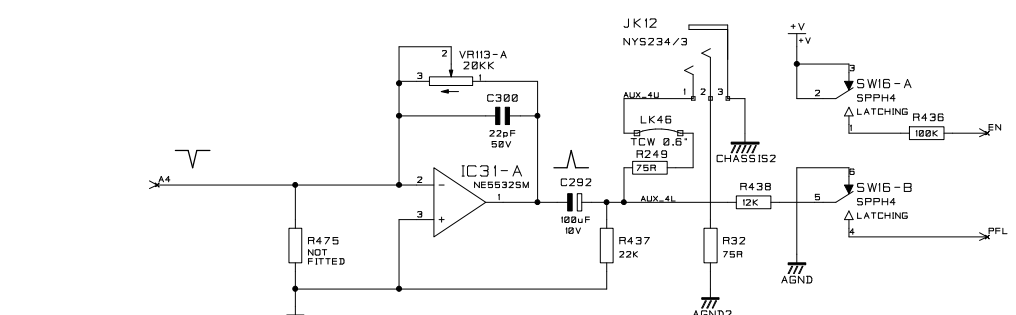
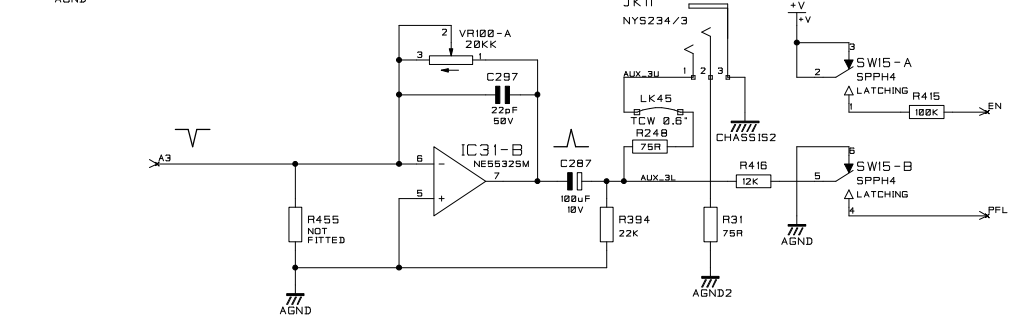
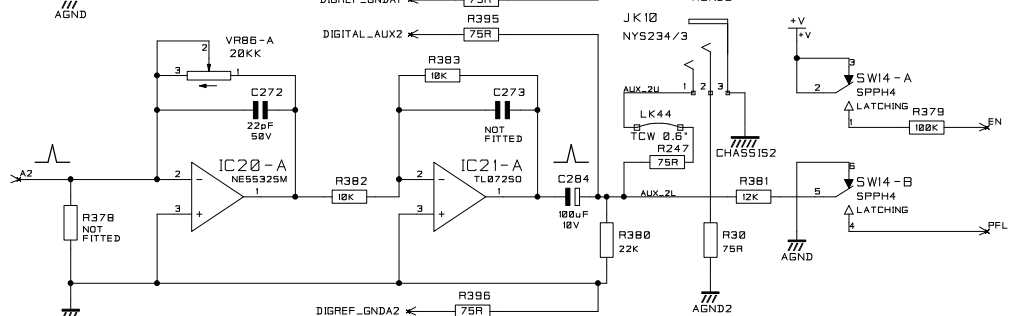
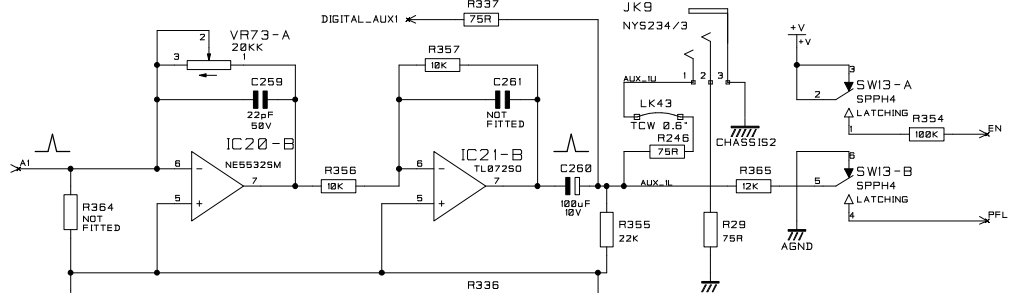
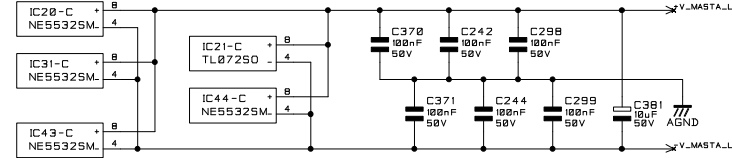
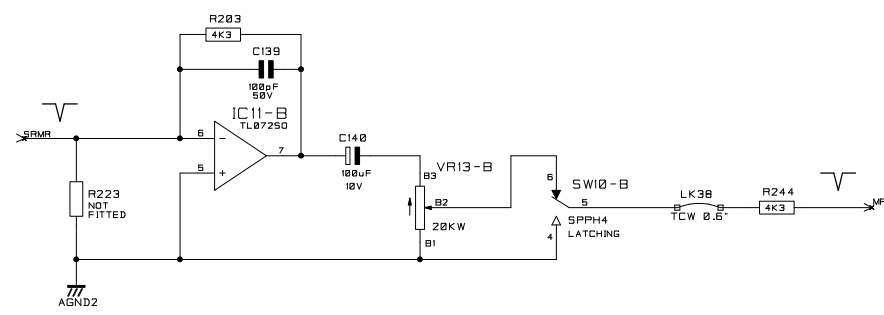
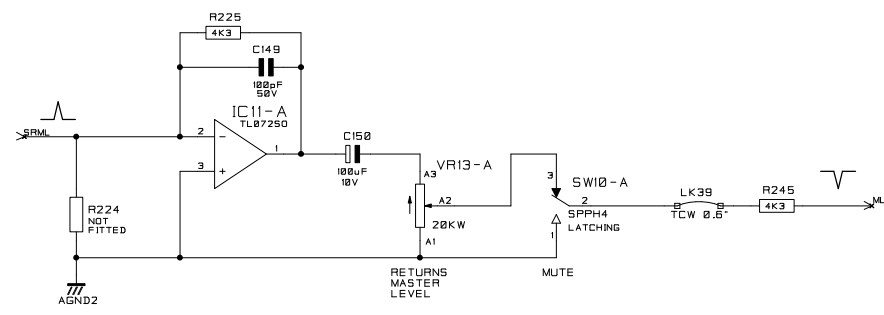
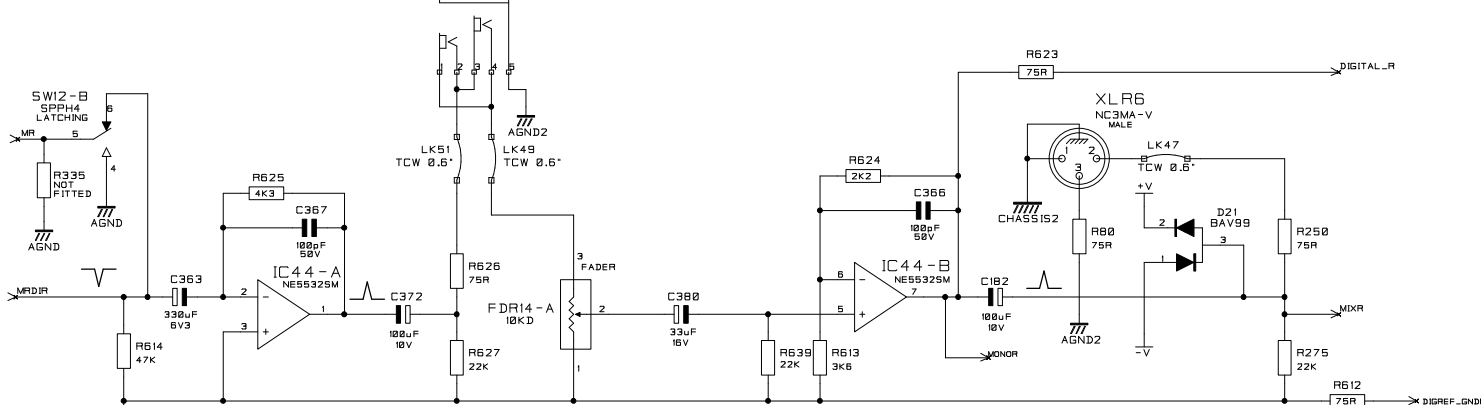
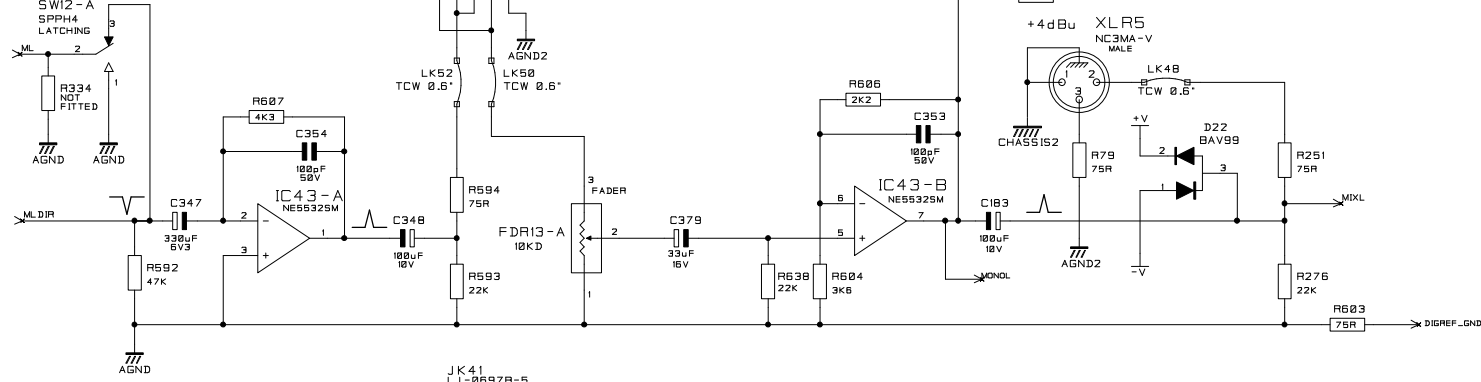
DRN.	PMD	CN No.	INITIAL	DATE	ISSUE	TITLE
DATE	02-10-00	PRE-PROD	PMD	18-01-01	03A	SPIRIT M4 STEREO INPUT 4
MASTER IF RED		PRE-PROD	ML	02-01-01	02C	

DRG NO. ED4096 SHT. 9 OF 15

DRG NO.

ED4096

P/B REPLACES MIX

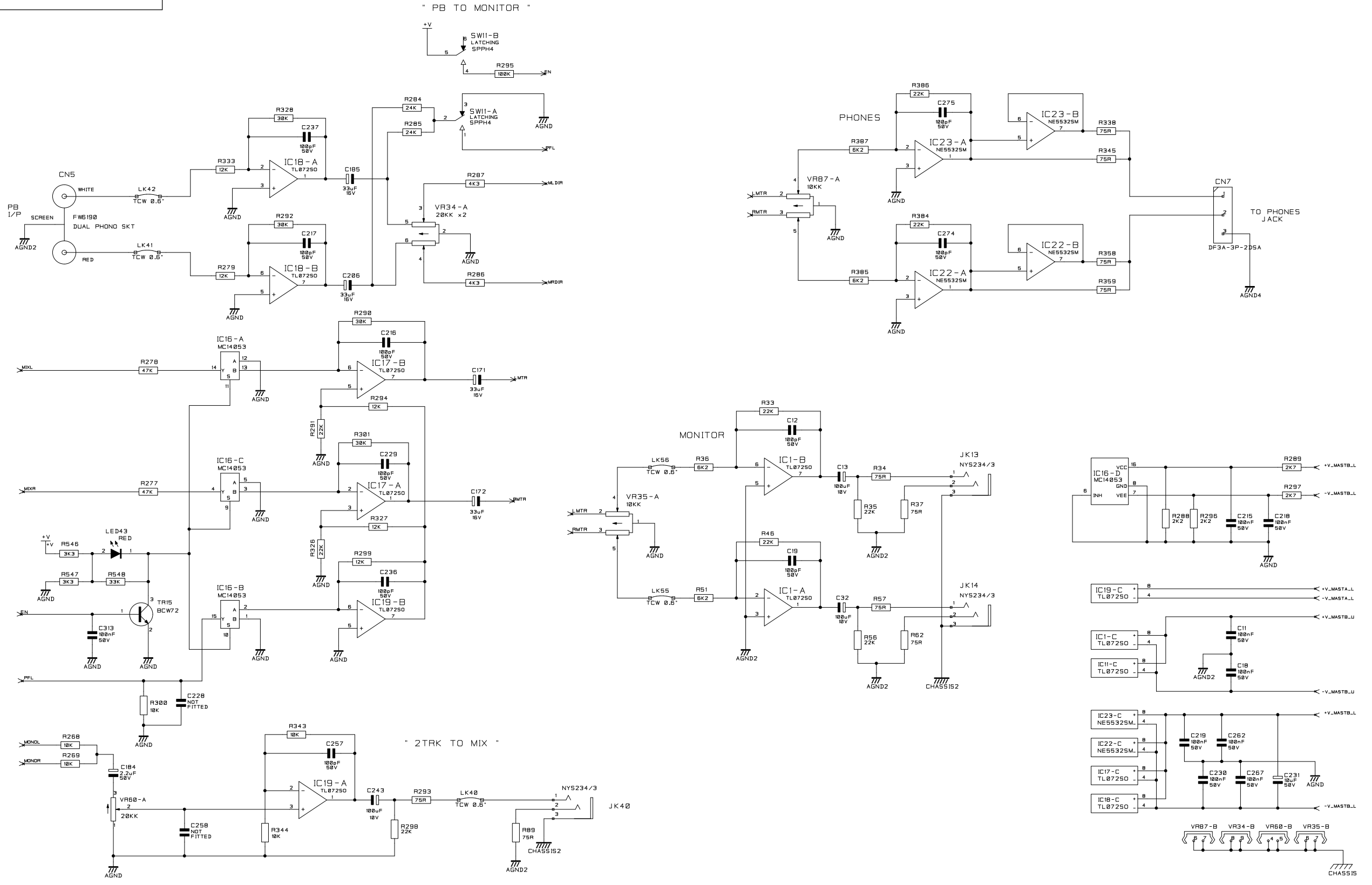


SOUNDCRAFT OWN THE COPYRIGHT OF THIS DRAWING WHICH IS NOT TO BE COPIED, REPRODUCED OR DISCLOSED, IN PART OR WHOLE TO A THIRD PARTY WITHOUT PRIOR WRITTEN PERMISSION.

SOUNDCRAFT
HARMAN INT. INDUSTRIES LTD.
CRANBORNE HOUSE,
CRANBORNE ROAD,
POTTERS BAR,
HERTS. EN6 3JN.
TEL: 01707 665000
FAX: 01707 660482

NOTES

DRN.	PMD	CN No.	INITIAL	DATE	ISSUE	TITLE	SPIRIT M4 MASTER A
DATE	02-10-00	PRE-PROD	PMD	18-01-01	03A		
		PRE-PROD	ML	02-01-01	02C		
MASTER IF RED							
DRG NO. ED4096							SHT. 10 OF 15



SOUNDCRAFT OWN THE COPYRIGHT OF THIS DRAWING WHICH IS NOT TO BE COPIED, REPRODUCED OR DISCLOSED, IN PART OR WHOLE TO A THIRD PARTY WITHOUT PRIOR WRITTEN PERMISSION.

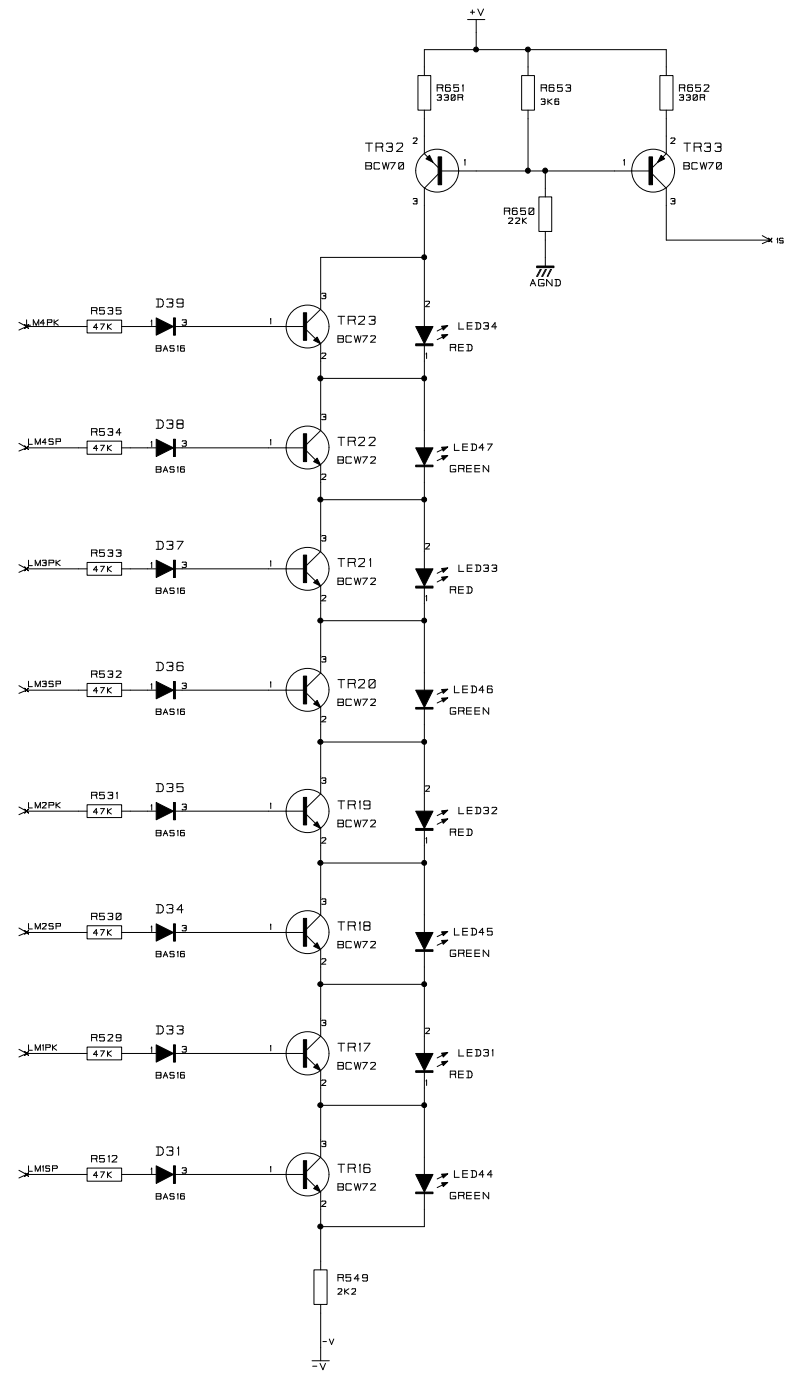
SOUNDCRAFT
HARMAN INT. INDUSTRIES LTD.
CRANBORNE HOUSE,
CRANBORNE ROAD,
POTTERS BAR,
HERTS. EN6 3JN.
TEL: 01707 665000
FAX: 01707 660482

NOTES

DRN.	PMD	CN No.	INITIAL	DATE	ISSUE	TITLE	SPIRIT M4 MASTER B
DATE	02-10-00	PRE-PROD	PMD	18-01-01	03A		
		PRE-PROD	ML	02-01-01	02C		
MASTER IF RED							
						DRG NO.	ED4096
							SHT. 11 OF 15

DRG NO.

ED4096

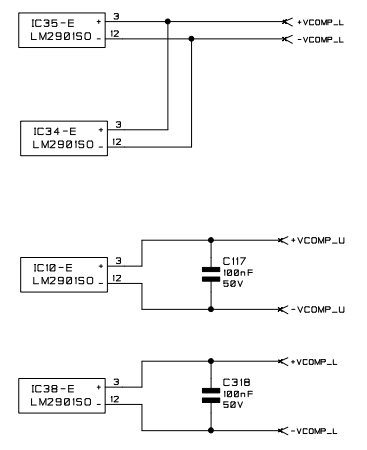
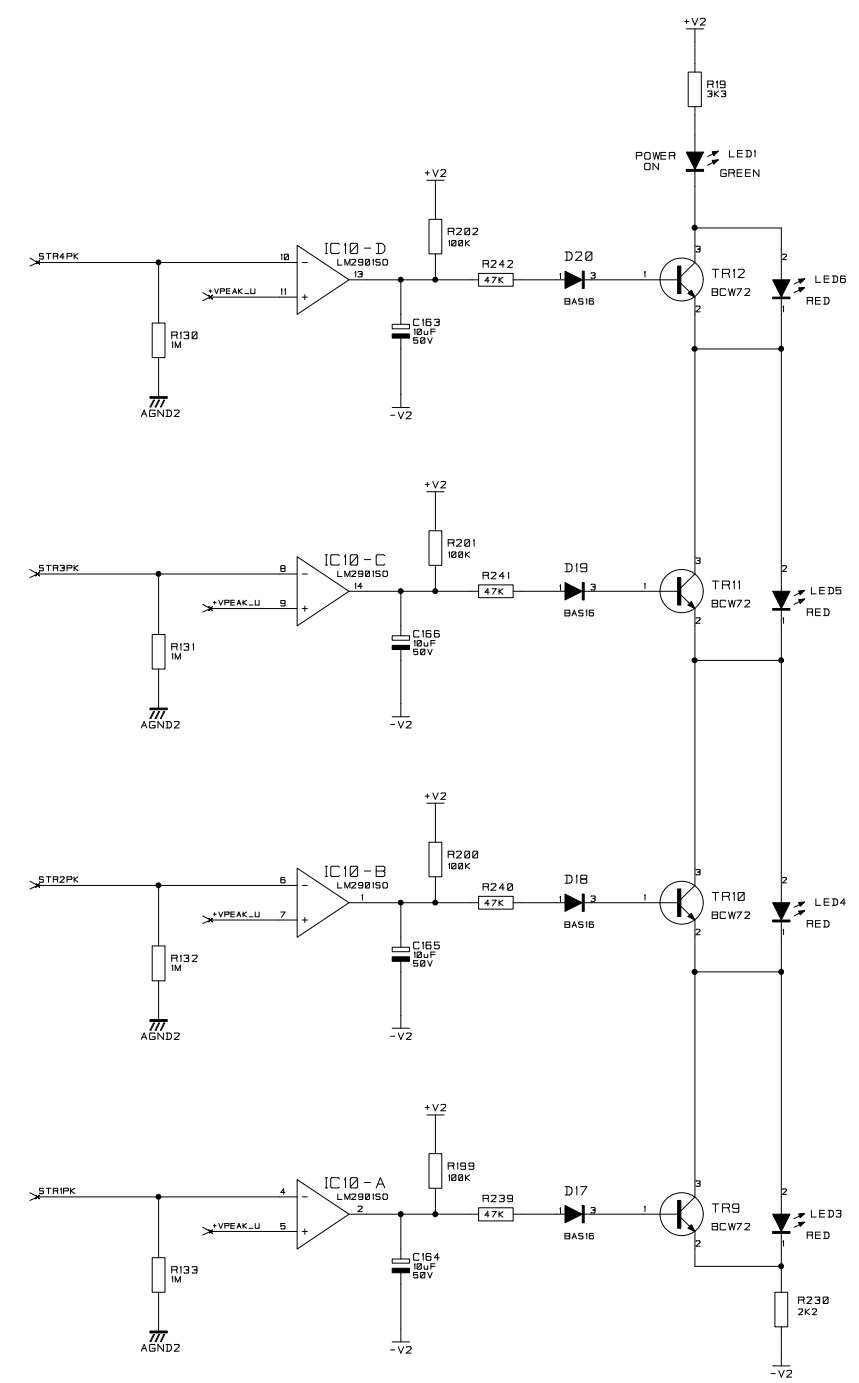
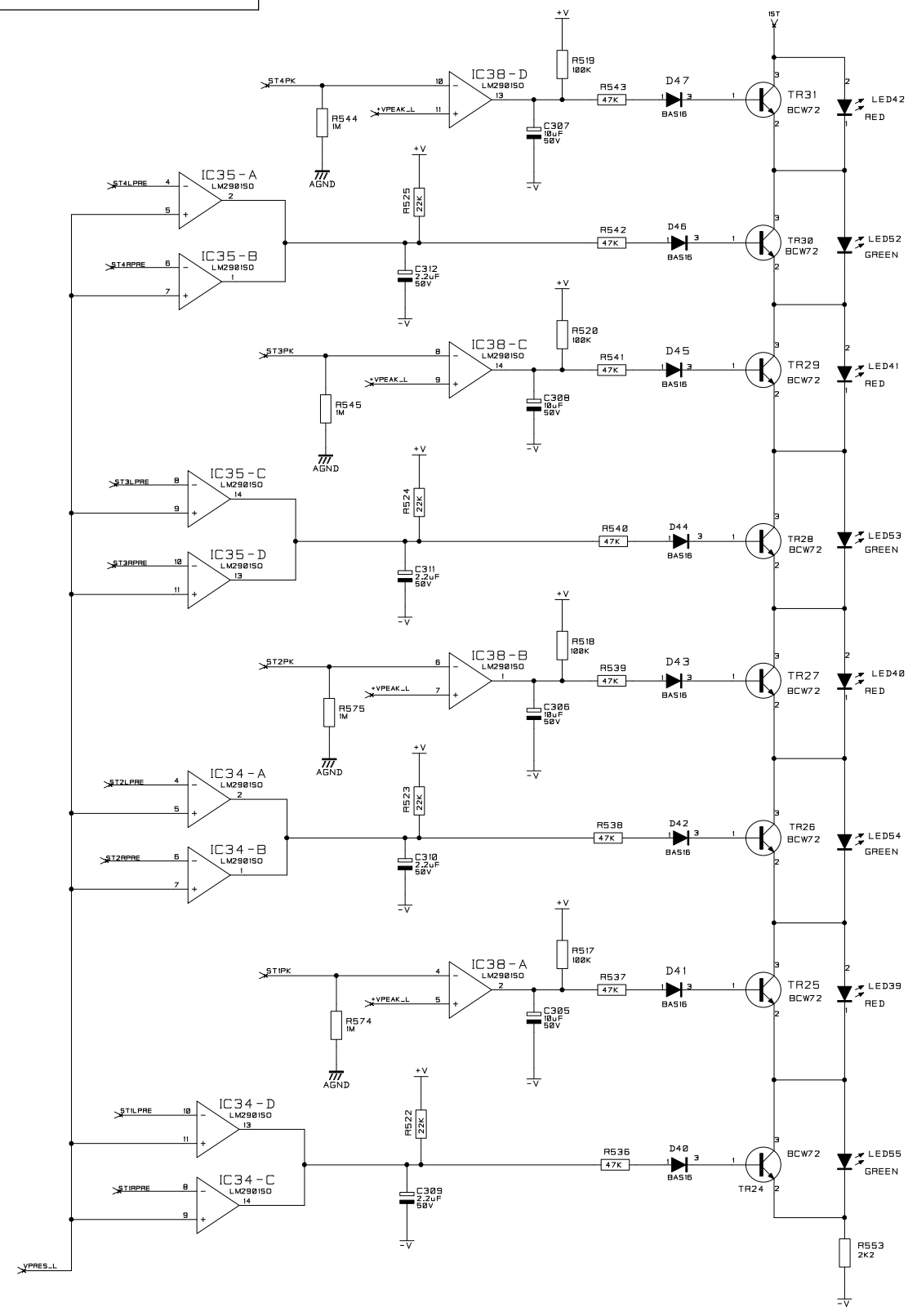


SOUNDCRAFT OWN THE COPYRIGHT OF THIS DRAWING WHICH IS NOT TO BE COPIED, REPRODUCED OR DISCLOSED, IN PART OR WHOLE TO A THIRD PARTY WITHOUT PRIOR WRITTEN PERMISSION.

SOUNDCRAFT
HARMAN INT. INDUSTRIES LTD.
CRANBORNE HOUSE,
CRANBORNE ROAD,
POTTERS BAR,
HERTS. EN6 3JN.
TEL: 01707 665000
FAX: 01707 660482

NOTES

DRN.	PMD	CN No.	INITIAL	DATE	ISSUE	TITLE SPIRIT M4 MONO PEAK LEDs	DRG NO. ED4096	SHT.12 OF 15
DATE	02-10-00	PRE-PROD	PMD	18-01-01	03A			
MASTER IF RED		PRE-PROD	ML	02-01-01	02C			



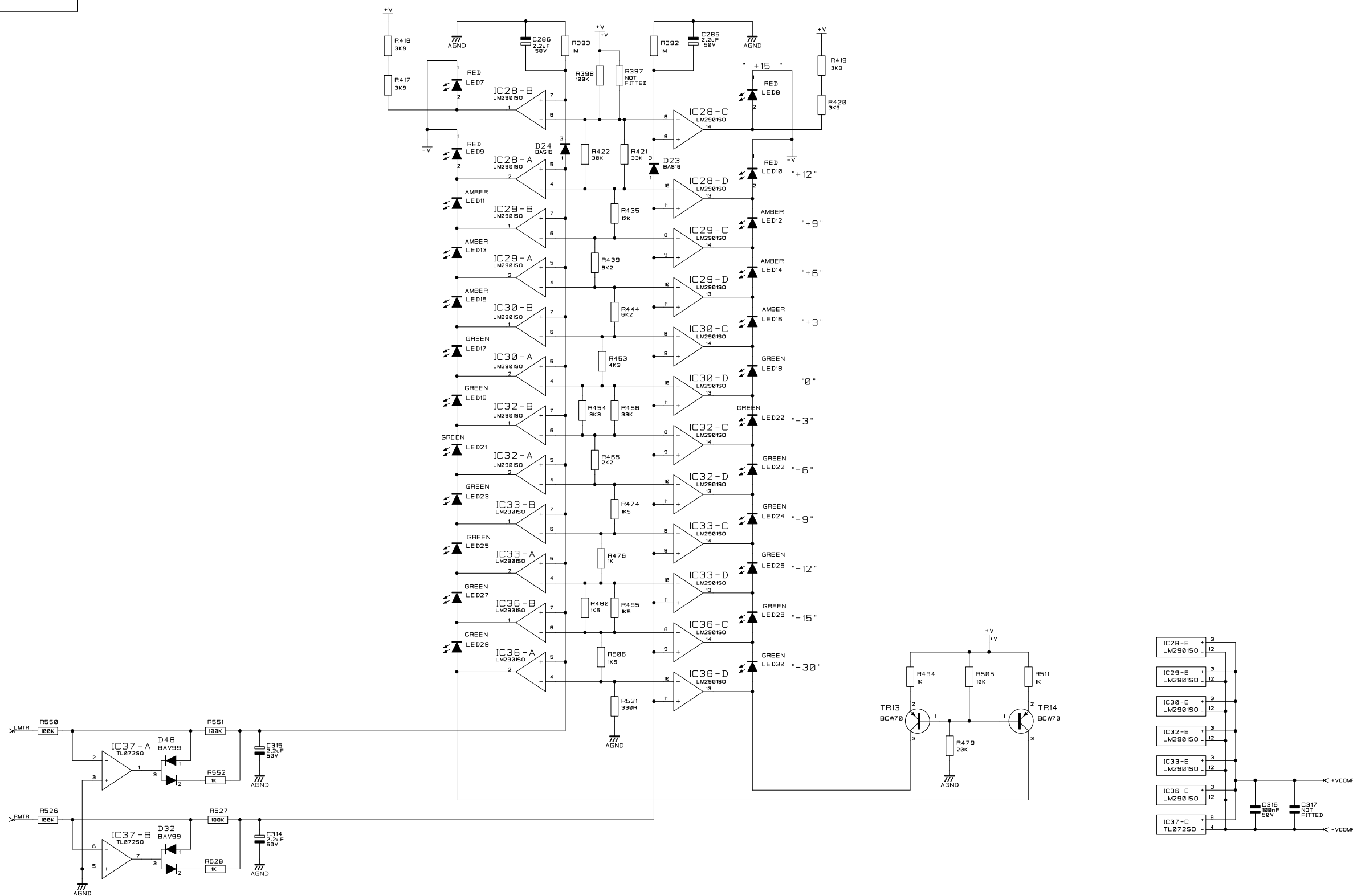
SOUNDCRAFT OWN THE COPYRIGHT OF THIS DRAWING WHICH IS NOT TO BE COPIED, REPRODUCED OR DISCLOSED, IN PART OR WHOLE TO A THIRD PARTY WITHOUT PRIOR WRITTEN PERMISSION.

SOUNDCRAFT
HARMAN INT. INDUSTRIES LTD.
CRANBORNE HOUSE,
CRANBORNE ROAD,
POTTERS BAR,
HERTS. EN9 3JN.
TEL: 01707 665000
FAX: 01707 660402

NOTES

DRN.	PMD	CN No.	INITIAL	DATE	ISSUE	TITLE
DATE	02-10-00	PRE-PROD	PMD	18-01-01	03A	SPIRIT M4 STEREO LEDES
MASTER IF RED		PRE-PROD	ML	02-01-01	02C	

DRG NO.	ED4096	SHT.13 OF 15
---------	--------	-----------------

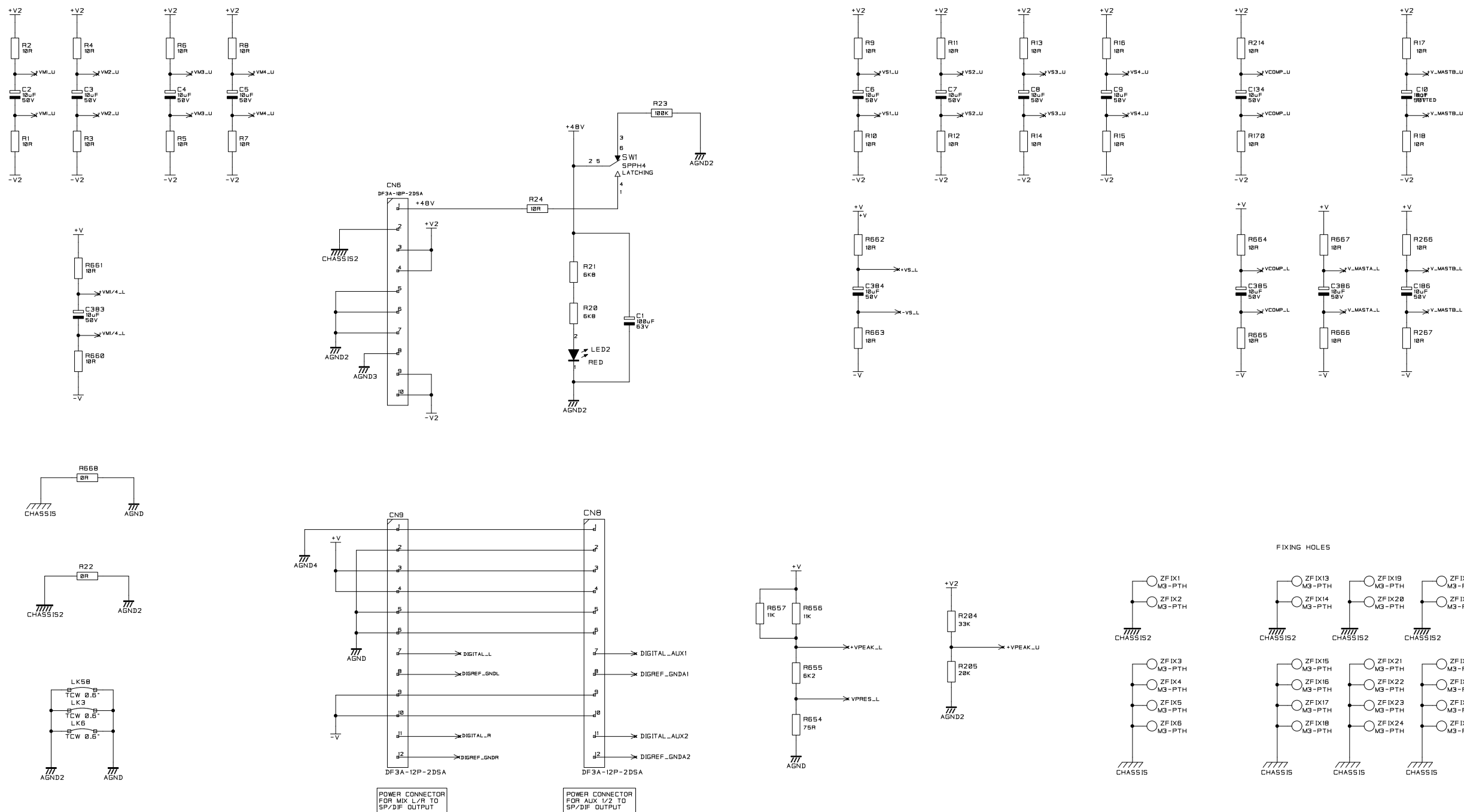


SOUNDCRAFT OWN THE COPYRIGHT OF THIS DRAWING WHICH IS NOT TO BE COPIED, REPRODUCED OR DISCLOSED, IN PART OR WHOLE TO A THIRD PARTY WITHOUT PRIOR WRITTEN PERMISSION.

SOUNDCRAFT
HARMAN INT. INDUSTRIES LTD
CRANBORNE HOUSE,
CRANBORNE ROAD,
POTTERS BAR,
HERTS. EN6 3JN.
TEL: 01707 665000
FAX: 01707 660482

NOTES
1. CALCULATE RESISTOR CHAIN
2. DECIDE ON TR DRIVER & VALUE

DRN.	PMD	CN No.	INITIAL	DATE	ISSUE	TITLE	SPIRIT M4 METER
DATE	02-10-00	PRE-PROD	PMD	18-01-01	03A	DRG NO.	
MASTER IF RED		PRE-PROD	ML	02-01-01	02C	ED4096	
						SHT.14 OF 15	



SOUNDCRAFT OWN THE COPYRIGHT OF THIS DRAWING WHICH IS NOT TO BE COPIED, REPRODUCED OR DISCLOSED, IN PART OR WHOLE TO A THIRD PARTY WITHOUT PRIOR WRITTEN PERMISSION.

SOUNDCRAFT
HARMAN INT. INDUSTRIES LTD.
CRANBORNE HOUSE,
CRANBORNE ROAD,
POTTERS BAR,
HERTS. EN9 3JN.
TEL: 01707 665000
FAX: 01707 660402

NOTES

DRN.	CN No.	INITIAL	DATE	ISSUE	TITLE
PMD	PRE-PROD	PMD	18-01-01	03A	SPIRIT M4 POWER
DATE	PRE-PROD	ML	02-01-01	02C	
02-10-00					
MASTER IF RED					

DRG NO.	ED4096
SHT.15	OF 15