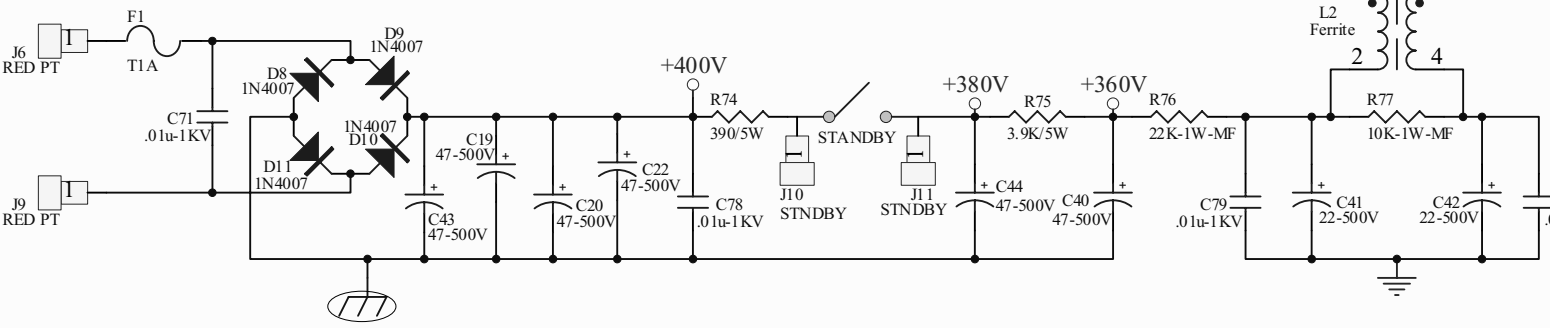
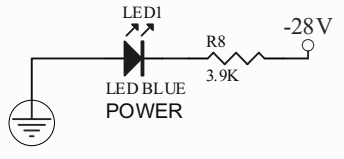
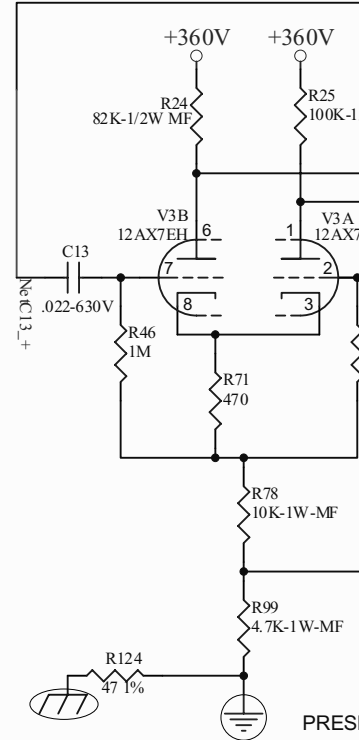
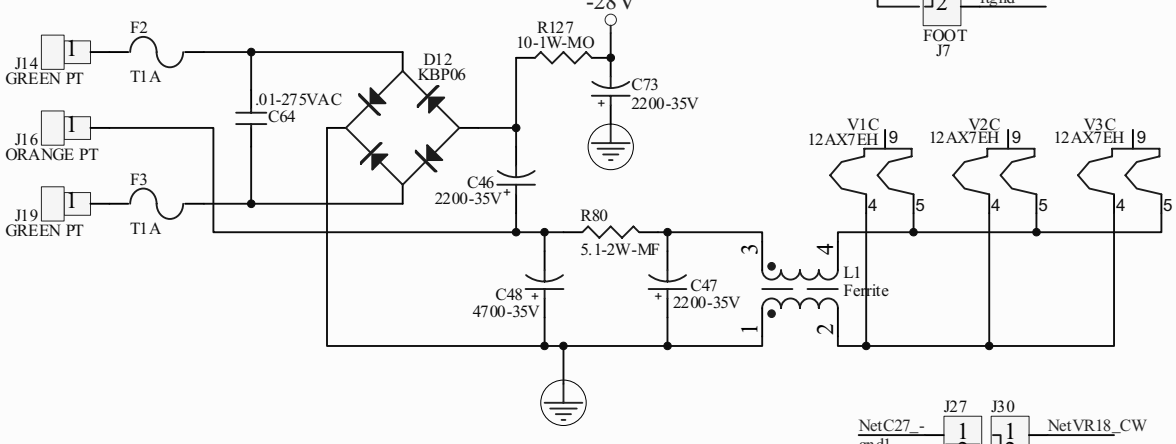
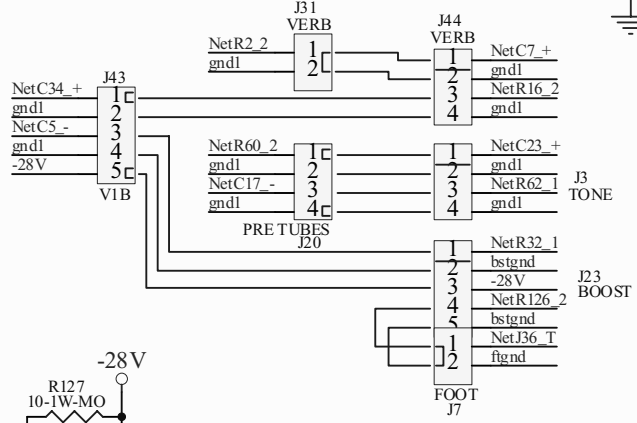
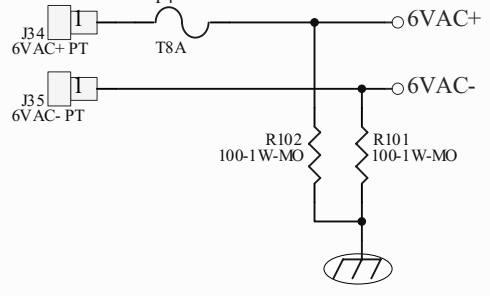
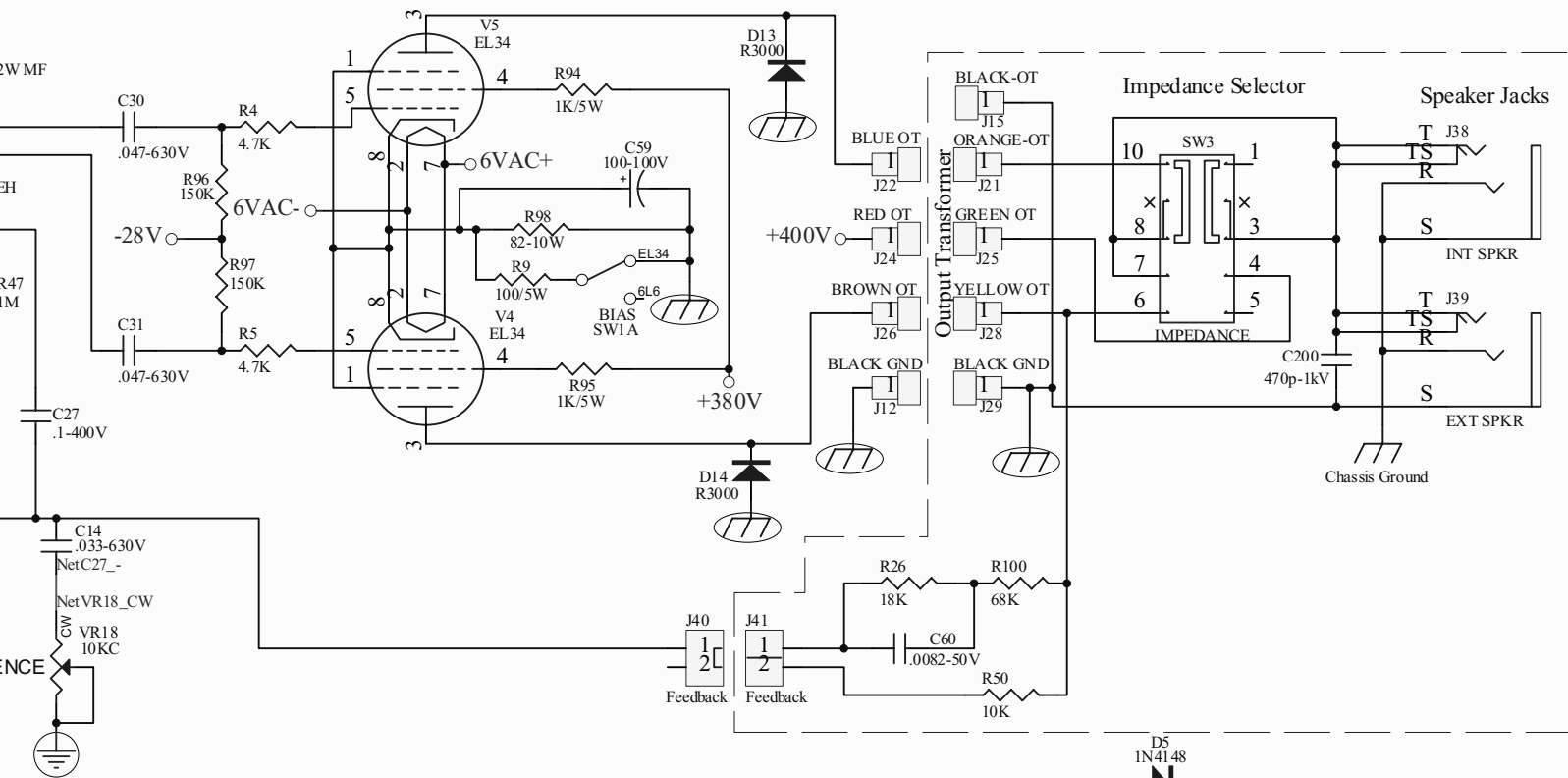
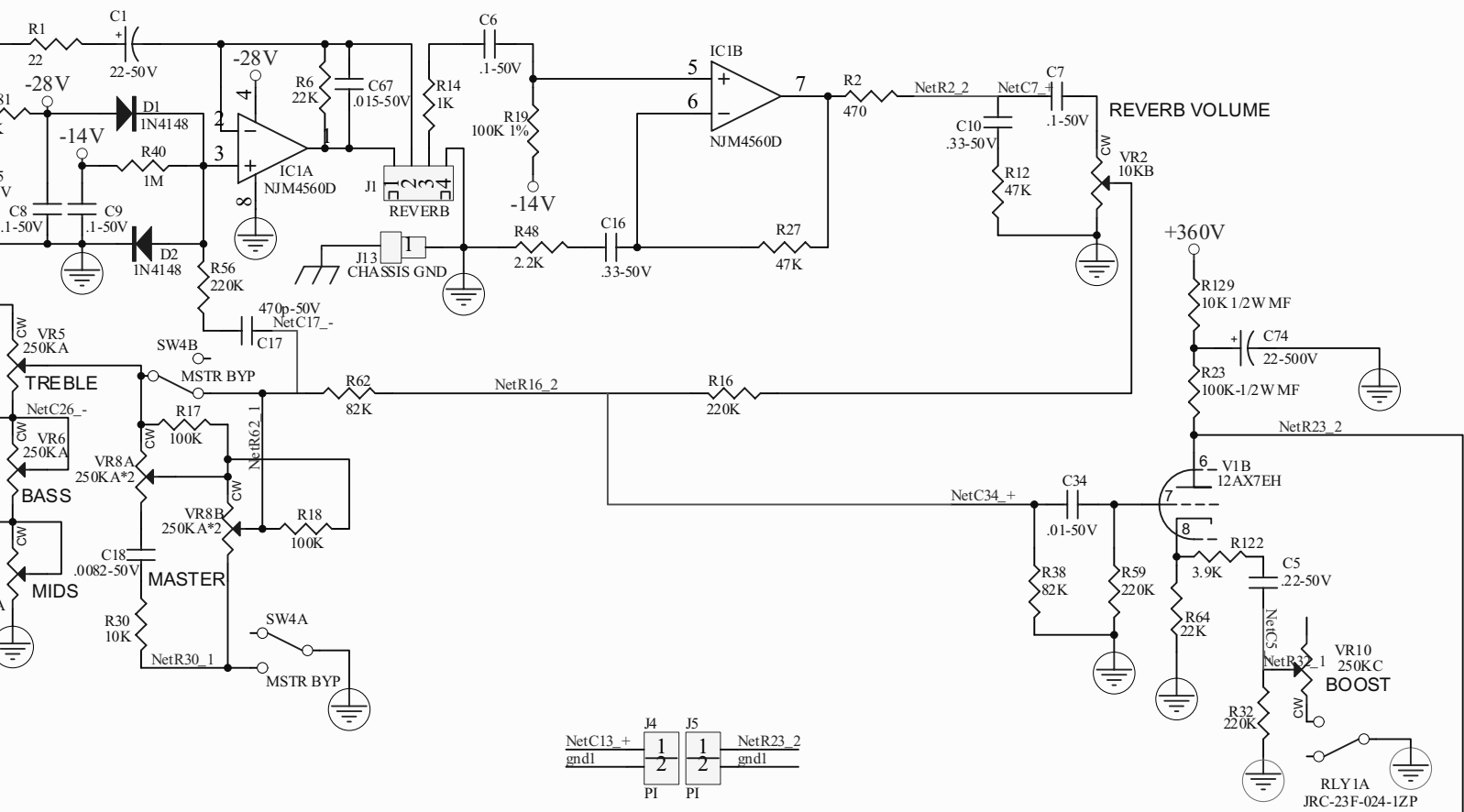
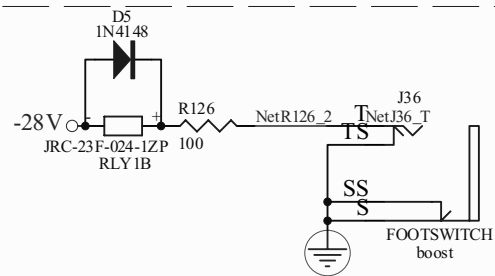


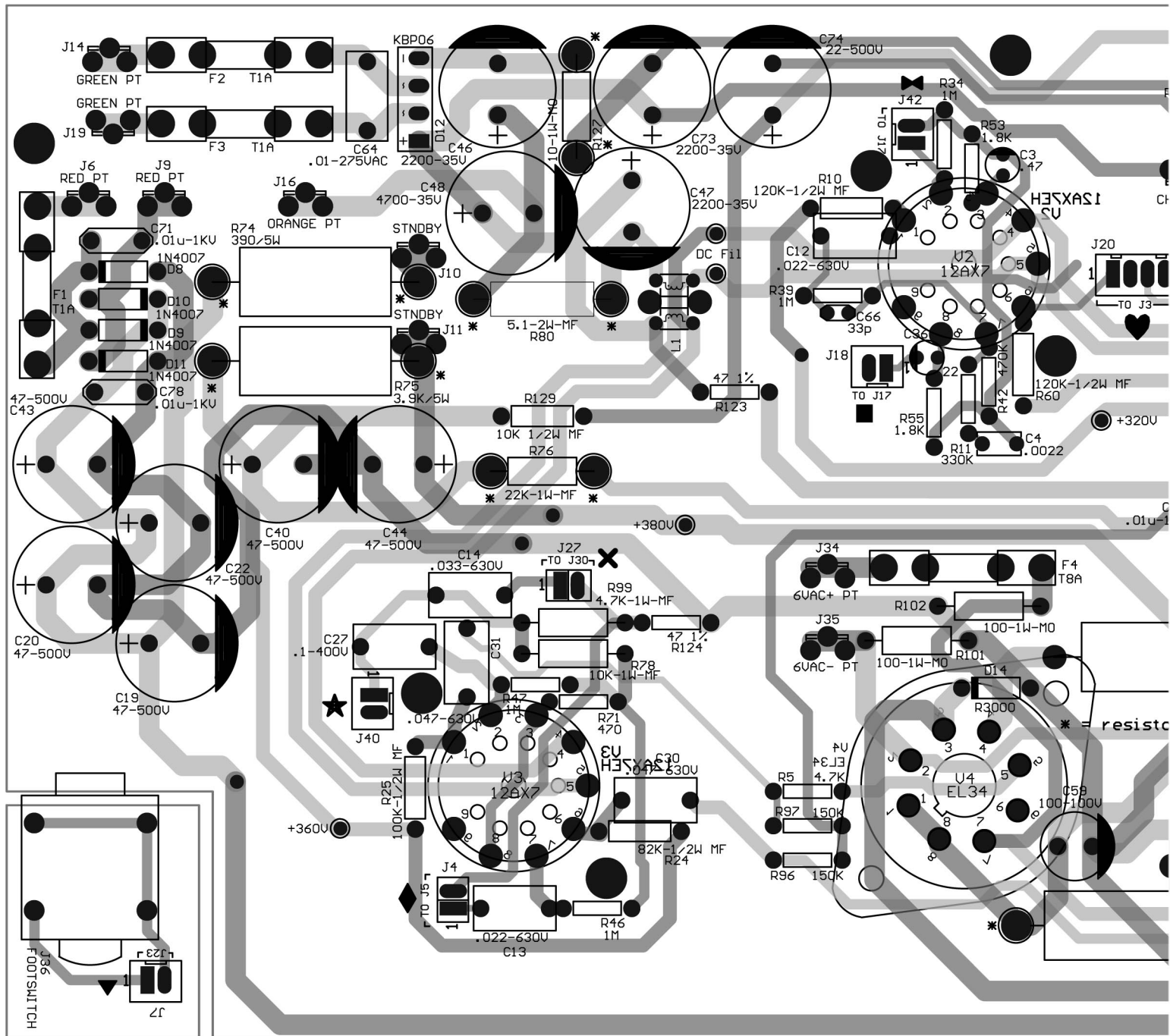
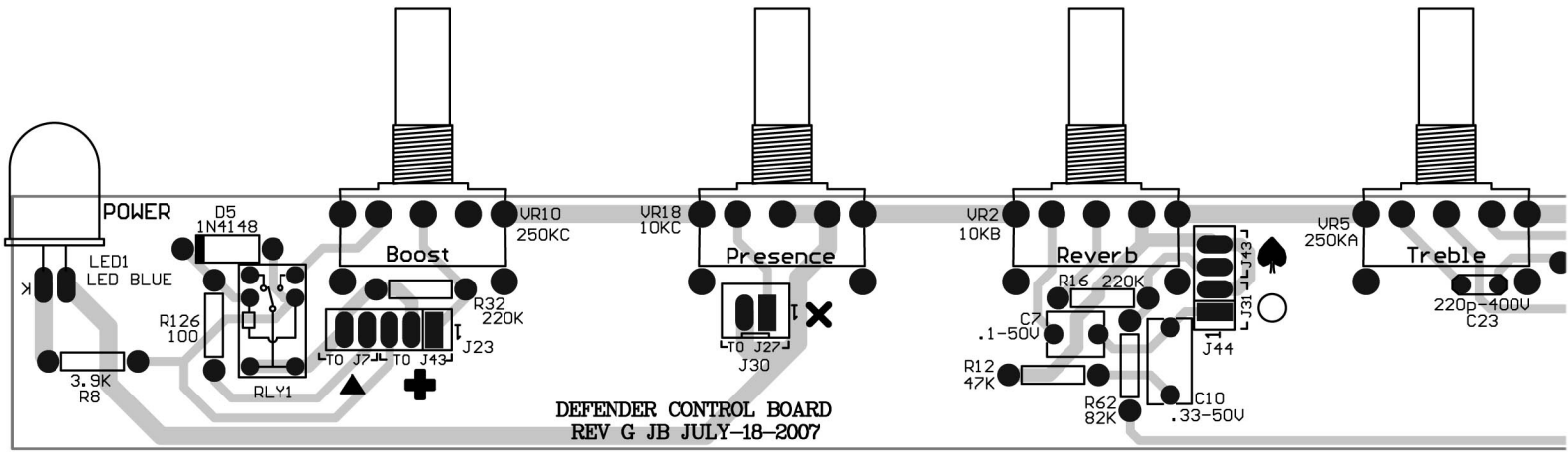
FILAMENT

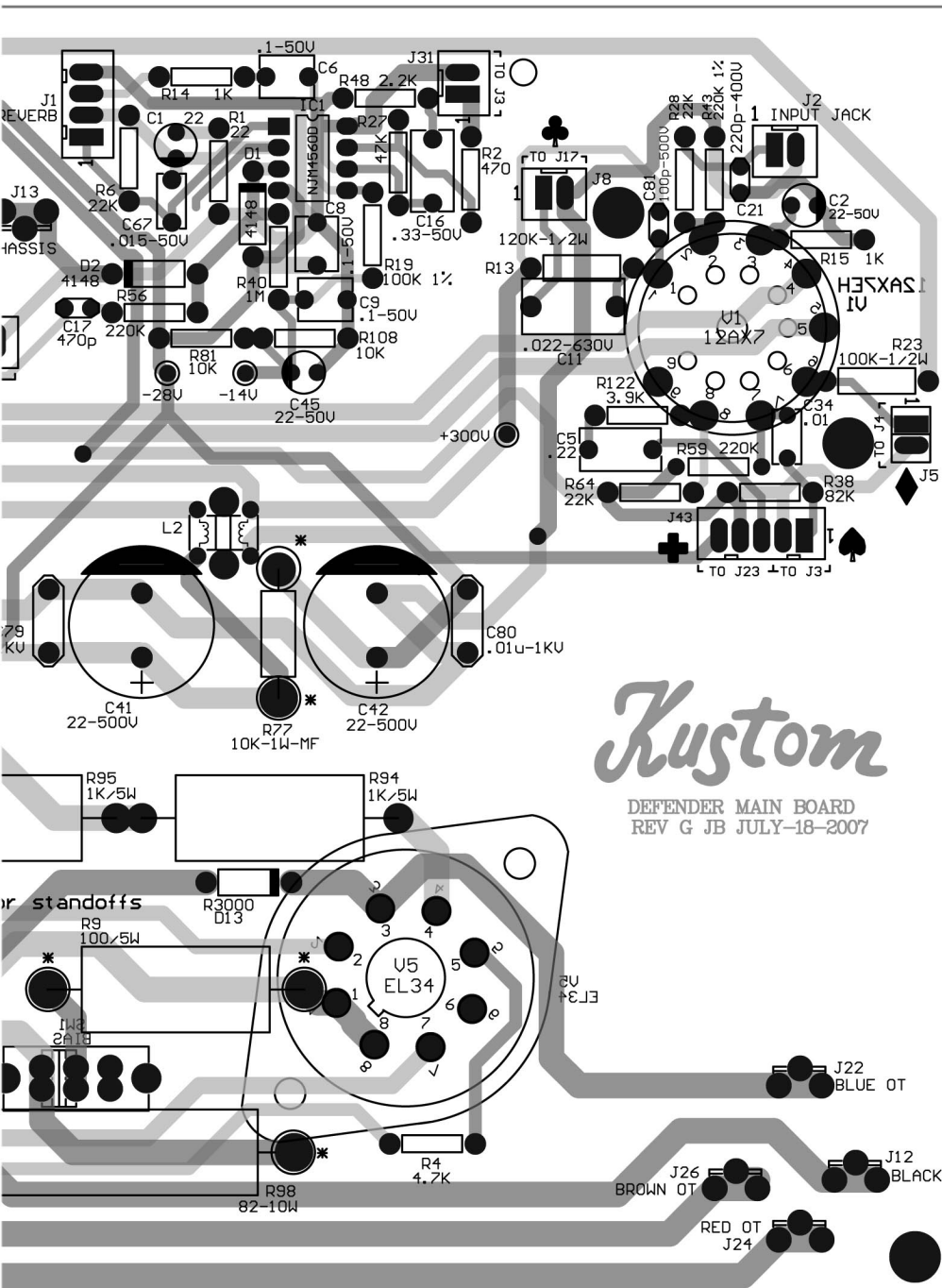
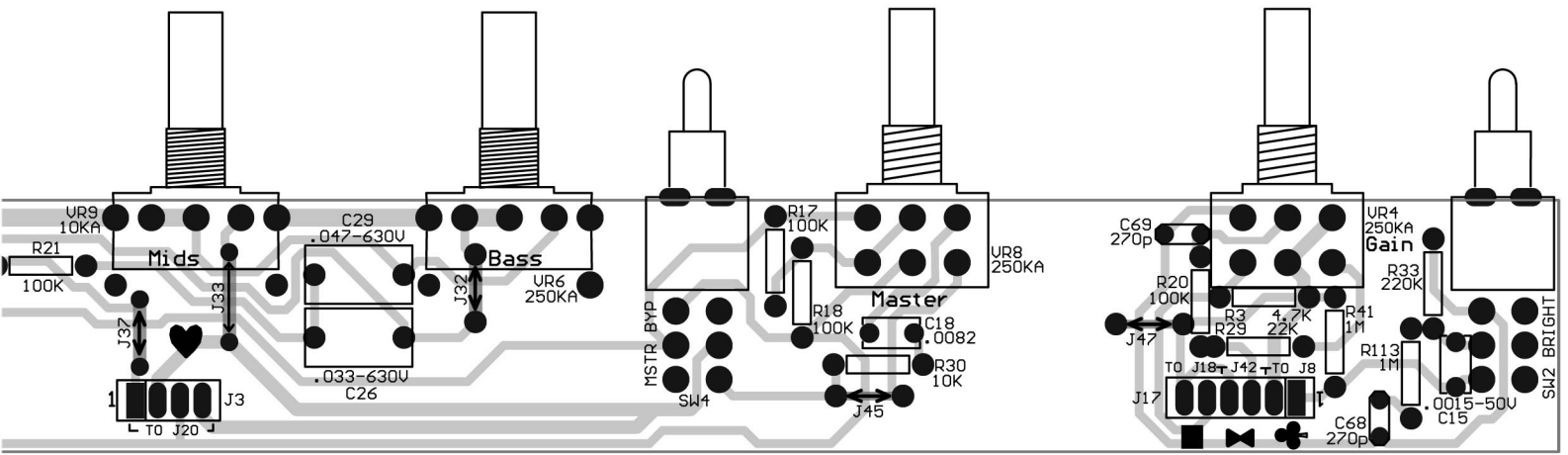




DEFENDER 112
REV G - JULY 18, 2007
KUSTOM AMPLIFICATION







Kustom

DEFENDER MAIN BOARD
REV G JB JULY-18-2007

