

POWER CORDS	
CBLG00001 (AU)	PACKAGING
CBLG00002 (SA)	
CBLG00003 (UK)	
CBLG00010 (SW)	
CBLG00011 (JA)	
CBLG00012 (AR)	CTNK00040 BEAUTY CARTON
CBLK00010 (NA)	BAGK00006 FOAM BAG
CBLK00011 (EU)	PKGK00033 FOAM SET



WWW.KRKSYS.COM

RP6G2 SERVICE PARTS

Martha Hernandez 5/23/2008
REV.A

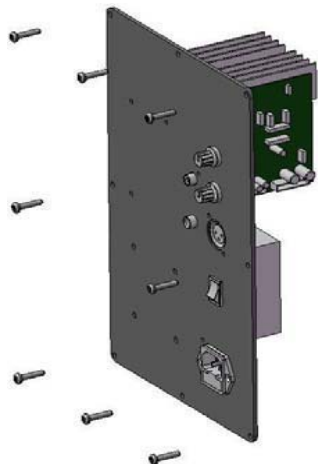


SERVICE PART SPEC SHEET

Service Requirements

KRK Part Number	Description	QTY	Alternate Part Number	Comments
AMPK00049	AMPLIFIER RP6G2 100V	1		
	INCLUDE:			
	AMPLIFIER RP6G2 120V/240V WITH GASKET	1		Pre-applied EVA gasket to back of plate.
	SCREW M4x19L	10	LS1AK0400071	Screws to be packed in a plastic bag
	FUSE T1.6A/250V (120V)	1	1603-162D-00	Fuses to be packed in a plastic bag
	PACKAGING:			
	PE BAG	1		
	INNER CARTON	1		
	PAPER BOARD	1		
	POLYFOAM	2		
	CLAPBOARD	1		
	MASTER CARTON (FOR 2 UNITS)	0.5		
	INNER CARTON LABEL	2		
	OUTER CARTON LABEL	1		

MASTER PACK SHOW IN PICTURE FOR VISUAL REFERENCE ONLY



NOTES: Parts must be in a plastic bag and securely packaged to prevent damage. Apply labels to inner and master carton with KRK part number, description, shipping weight, and shipping dimensions.

APPROVALS:	SIGNATURES	DATE	REVISIONS
ENGINEERING	<i>Larry Altman</i>	5/21/2009	A - RELEASED FOR PRODUCTION
OPERATIONS			
PROGRAM MANAGER			

THIS DOCUMENT IS THE COPYRIGHT OF KRK SYSTEMS LLC. ALL REPRODUCTION AND COPYING, OTHER THAN THAT FOR LICENSED MANUFACTURER'S OWN INTERNAL USE, OR DISCLOSURE OF WHOLE OR PART TO A THIRD PARTY WITHOUT PRIOR WRITTEN AUTHORIZATION IS IN VIOLATION OF THE COPYRIGHT © KRK SYSTEMS LLC 2009



SERVICE PART SPEC SHEET

Service Requirements

KRK Part Number	Description	QTY	Alternate Part Number	Comments
AMPK00050	AMPLIFIER RP6G2 120V/240V	1		
	INCLUDE:			
	AMPLIFIER RP6G2 120V/240V WITH GASKET	1		Pre-applied EVA gasket to back of plate.
	SCREW M4x19L	10	LS1AK0400071	Screws to be packed in a plastic bag
	FUSE T1.6A/250V (120V)	1	1603-162D-00	Fuses to be packed in a plastic bag
	FUSE T0.8A/250V (240V)	1	1603-800D-00	
	PACKAGING:			
	PE BAG	1		
	INNER CARTON	1		
	PAPER BOARD	1		
	POLYFOAM	2		
	CLAPBOARD	1		
	MASTER CARTON (FOR 2 UNITS)	0.5		
	INNER CARTON LABEL	2		
	OUTER CARTON LABEL	1		

MASTER PACK SHOWN IN PICTURE FOR VISUAL REFERENCE ONLY



NOTES: Parts must be in a plastic bag and securely packaged to prevent damage. Apply labels to inner and master carton with KRK part number, description, shipping weight, and shipping dimensions.

APPROVALS:	SIGNATURES	DATE	REVISIONS
ENGINEERING	<i>Larry Altman</i>	4/1/2009	A - RELEASED FOR PRODUCTION
OPERATIONS			
PROGRAM MANAGER			

THIS DOCUMENT IS THE COPYRIGHT OF KRK SYSTEMS LLC. ALL REPRODUCTION AND COPYING, OTHER THAN THAT FOR LICENSED MANUFACTURER'S OWN INTERNAL USE, OR DISCLOSURE OF WHOLE OR PART TO A THIRD PARTY WITHOUT PRIOR WRITTEN AUTHORIZATION IS IN VIOLATION OF THE COPYRIGHT © KRK SYSTEMS LLC 2009



SERVICE PART SPEC SHEET

Service Requirements

KRK Part Number	Description	QTY	Alternate Part Number	Comments
CABK00046	CABINET RP6G2	1		
	INCLUDE:			
	CABINET	1	BR06162-0000	Pre-assembled with Sound Dampening Mat'l and EVA Bot Pad
	FRONT BAFFLE	1	BF06170-0000	
	PORT	1	AT12S001-000	
	DAMPENING MATL	1	AM0454-00000	
	DAMPENING MATL	1	AM0455-00000	
	GASKET	2	GK01H952-000	
	SCREW 4*35	14	LS1CS0400021	
	SCREW 4*20	2	LS1CA0400171	
	PACKAGING			
	CARTON	1	CT7454-00000	
	FOAM BAG	1	PE5504-00000	
	TOP & BOTTOM FOAM SET	1	PF0662-00000	
	INNER LABEL	1	LB7221-00000	
	OUTER LABEL	2	LB7227-00000	



NOTES: Part must be in a foam bag and securely packaged to prevent damage. Apply label with KRK part number, description, shipping weight, and shipping dimensions.

APPROVALS:	SIGNATURES	DATE	REVISIONS
ENGINEERING	<i>Larry Altman</i>	5/15/2009	A - RELEASED FOR PRODUCTION
OPERATIONS			
PROGRAM MANAGER			

THIS DOCUMENT IS THE COPYRIGHT OF KRK SYSTEMS LLC. ALL REPRODUCTION AND COPYING, OTHER THAN THAT FOR LICENSED MANUFACTURER'S OWN INTERNAL USE, OR DISCLOSURE OF WHOLE OR PART TO A THIRD PARTY WITHOUT PRIOR WRITTEN AUTHORIZATION IS IN VIOLATION OF THE COPYRIGHT © KRK SYSTEMS LLC 2009



SERVICE PART SPEC SHEET

Service Requirements

KRK Part Number	Description	QTY	Alternate Part Number	Comments
COSK00007	FACEPLATE W/LOGO RP6G2	1		***MASTER PACK QTY 12 PCS***
	INCLUDE:			
	FACEPLATE WITH GASKET	1	BF06171-0000	Pre-applied EVA gasket to back of faceplate
	LOGO	1	BP2024-00000	Pre-assembled to faceplate.
	SCREW 5*20	4	LSC5CA0500021	Screws to be packed in a plastic bag.
	PACKAGING:			
	FOAM BAG	1	PE5504-00000	
	MASTER CARTON (FOR 12 PCS)	0.08	CT7455-00000	
	INNER CARTON LABEL	1	LB7224-00000	
	OUTER CARTON LABEL (2 PER MASTER CARTON)	0.17	LB7230-00000	

MASTER PACK SHOWN IN PICTURE FOR VISUAL REFERENCE ONLY



NOTES: Parts must be in a foam bag and securely packaged to prevent damage. Apply labels to inner bag and master carton with KRK part number, description, shipping weight, and shipping dimensions.

APPROVALS:	SIGNATURES	DATE	REVISIONS
ENGINEERING	<i>Larry Altman</i>	4/1/2009	A - RELEASED FOR PRODUCTION
OPERATIONS			
PROGRAM MANAGER			

THIS DOCUMENT IS THE COPYRIGHT OF KRK SYSTEMS LLC. ALL REPRODUCTION AND COPYING, OTHER THAN THAT FOR LICENSED MANUFACTURER'S OWN INTERNAL USE, OR DISCLOSURE OF WHOLE OR PART TO A THIRD PARTY WITHOUT PRIOR WRITTEN AUTHORIZATION IS IN VIOLATION OF THE COPYRIGHT © KRK SYSTEMS LLC 2009



SERVICE PART SPEC SHEET

Service Requirements

KRK Part Number	Description	QTY	Alternate Part Number	Comments
HARK00005	KNOB ROTARY KIT	1		
	INCLUDE:			
	KNOB	1	XN-10500-005	

3 PCS AND BULK PACK SHOWN IN PICTURES FOR VISUAL REFERENCE ONLY



NOTES: Parts must be in a plastic bag. Apply label with KRK part number and description.

APPROVALS:	SIGNATURES	DATE	REVISIONS
ENGINEERING	<i>Larry Altman</i>	3/25/2009	A - RELEASED FOR PRODUCTION
OPERATIONS			
PROGRAM MANAGER			

THIS DOCUMENT IS THE COPYRIGHT OF KRK SYSTEMS LLC. ALL REPRODUCTION AND COPYING, OTHER THAN THAT FOR LICENSED MANUFACTURER'S OWN INTERNAL USE, OR DISCLOSURE OF WHOLE OR PART TO A THIRD PARTY WITHOUT PRIOR WRITTEN AUTHORIZATION IS IN VIOLATION OF THE COPYRIGHT © KRK SYSTEMS LLC 2009

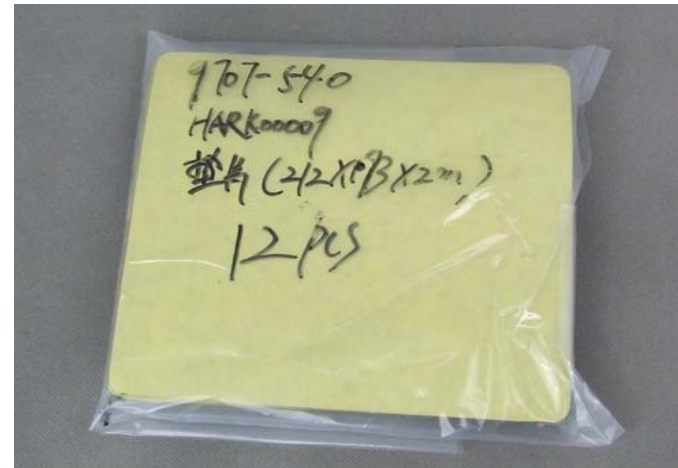
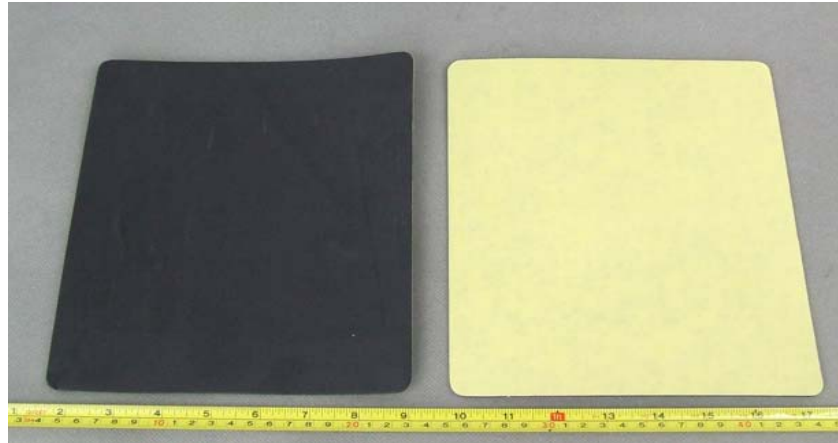


SERVICE PART SPEC SHEET

Service Requirements

KRK Part Number	Description	QTY	Alternate Part Number	Comments
HARK00009	EVA PAD RP6G2	1		
	INCLUDE:			
	PAD EVA	1	GK01H1010-00	

2 PCS AND BULK PACK SHOWN IN PICTURE FOR VISUAL REFERENCE ONLY



NOTES: BULKED PACKED. Parts must be in a plastic bag. Apply label with KRK part number and description.

APPROVALS:	SIGNATURES	DATE	REVISIONS
ENGINEERING	<i>Larry Altman</i>	3/25/2009	A - RELEASED FOR PRODUCTION
OPERATIONS			
PROGRAM MANAGER			

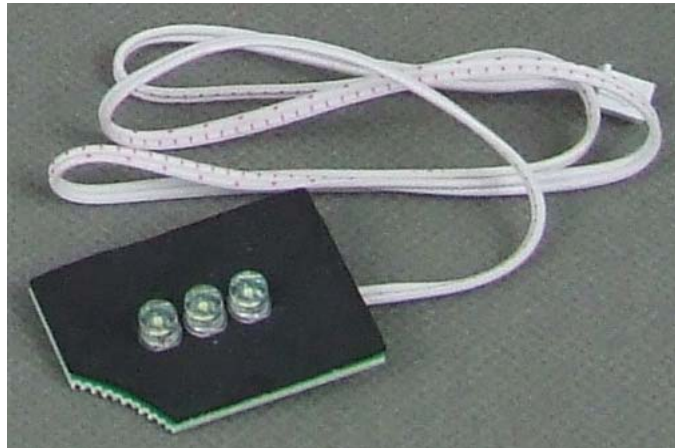
THIS DOCUMENT IS THE COPYRIGHT OF KRK SYSTEMS LLC. ALL REPRODUCTION AND COPYING, OTHER THAN THAT FOR LICENSED MANUFACTURER'S OWN INTERNAL USE, OR DISCLOSURE OF WHOLE OR PART TO A THIRD PARTY WITHOUT PRIOR WRITTEN AUTHORIZATION IS IN VIOLATION OF THE COPYRIGHT © KRK SYSTEMS LLC 2009



SERVICE PART SPEC SHEET

Service Requirements

KRK Part Number	Description	QTY	Alternate Part Number	Comments
LEDK00006	LED ASSY RP6G2	1		
	INCLUDE:			
	LED Φ 5mm	3	2005-0012-00	
	RESISTOR 470 Ω 1/4W \pm 5%	3	0701-3471-02	
	PCB	1	3701-0375-01	
	EVA	1	JD-A02610515	
	WIRE	1	2102-0014-02	
	PE BAG	1		
	BUBBLE WRAP	1		



NOTES: BULKED PACKED. Part must be in a plastic bag. Apply label with KRK part number and description.

APPROVALS:	SIGNATURES	DATE	REVISIONS
ENGINEERING	<i>Larry Altman</i>	4/1/2009	A - RELEASED FOR PRODUCTION
OPERATIONS			
PROGRAM MANAGER			

THIS DOCUMENT IS THE COPYRIGHT OF KRK SYSTEMS LLC. ALL REPRODUCTION AND COPYING, OTHER THAN THAT FOR LICENSED MANUFACTURER'S OWN INTERNAL USE, OR DISCLOSURE OF WHOLE OR PART TO A THIRD PARTY WITHOUT PRIOR WRITTEN AUTHORIZATION IS IN VIOLATION OF THE COPYRIGHT © KRK SYSTEMS LLC 2009

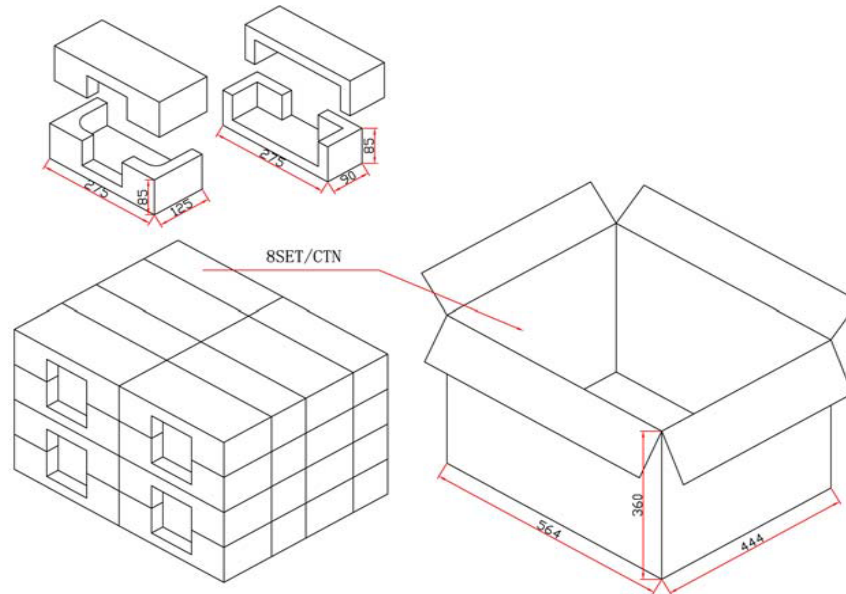


SERVICE PART SPEC SHEET

Service Requirements

KRK Part Number	Description	QTY	Alternate Part Number	Comments
PKGK00033	FOAM SET RP6G2	1		SET
	INCLUDE:			
	FOAM SET	1	PF0662-00000	TOP & BOTTOM SET
	MASTER CARTON			8 FOAM SETS PER MASTER PACK

MASTER PACK SHOWN IN PICTURE FOR VISUAL REFERENCE ONLY



NOTES: BULK PACKED. KRK part number must be shown on outside of master pack. Label is acceptable.

APPROVALS:	SIGNATURES	DATE	REVISIONS
ENGINEERING	<i>Larry Altman</i>	4/2/2009	A - RELEASED FOR PRODUCTION
OPERATIONS			
PROGRAM MANAGER			

THIS DOCUMENT IS THE COPYRIGHT OF KRK SYSTEMS LLC. ALL REPRODUCTION AND COPYING, OTHER THAN THAT FOR LICENSED MANUFACTURER'S OWN INTERNAL USE, OR DISCLOSURE OF WHOLE OR PART TO A THIRD PARTY WITHOUT PRIOR WRITTEN AUTHORIZATION IS IN VIOLATION OF THE COPYRIGHT © KRK SYSTEMS LLC 2009



SERVICE PART SPEC SHEET

Service Requirements

KRK Part Number	Description	QTY	Alternate Part Number	Comments
POTK00015	POT VOLUME 2WAY	1		
	INCLUDE:			
	POT VOLUME 2WAY B20Ka-41CC	1	1203-2031-01	

3PCS AND BULK PACK SHOWN IN PICTURES FOR VISUAL REFERENCE ONLY



NOTES: Part must be in a plastic bag. Apply label with KRK part number and description.

APPROVALS:	SIGNATURES	DATE	REVISIONS
ENGINEERING	<i>Larry Altman</i>	3/25/2009	A - RELEASED FOR PRODUCTION
OPERATIONS			
PROGRAM MANAGER			

THIS DOCUMENT IS THE COPYRIGHT OF KRK SYSTEMS LLC. ALL REPRODUCTION AND COPYING, OTHER THAN THAT FOR LICENSED MANUFACTURER'S OWN INTERNAL USE, OR DISCLOSURE OF WHOLE OR PART TO A THIRD PARTY WITHOUT PRIOR WRITTEN AUTHORIZATION IS IN VIOLATION OF THE COPYRIGHT © KRK SYSTEMS LLC 2009



SERVICE PART SPEC SHEET

Service Requirements

KRK Part Number	Description	QTY	Alternate Part Number	Comments
SWTK00020	SWITCH ON/OFF	1		
	INCLUDE:			
	SWITCH ON/OFF 10A/125VAC 4P2T	1	1352-0409-00	

4PCS SHOWN IN PICTURE FOR VISUAL REFERENCE ONLY



NOTES: BULK PACKED. Part must be in plastic bag to prevent damage. Apply label with KRK part number and description.

APPROVALS:	SIGNATURES	DATE	REVISIONS
ENGINEERING	<i>Larry Altman</i>	3/25/2009	A - RELEASED FOR PRODUCTION
OPERATIONS			
PROGRAM MANAGER			

THIS DOCUMENT IS THE COPYRIGHT OF KRK SYSTEMS LLC. ALL REPRODUCTION AND COPYING, OTHER THAN THAT FOR LICENSED MANUFACTURER'S OWN INTERNAL USE, OR DISCLOSURE OF WHOLE OR PART TO A THIRD PARTY WITHOUT PRIOR WRITTEN AUTHORIZATION IS IN VIOLATION OF THE COPYRIGHT © KRK SYSTEMS LLC 2009



SERVICE PART SPEC SHEET

Service Requirements

KRK Part Number	Description	QTY	Alternate Part Number	Comments
SWTK00021	SWITCH LEVEL ADJUST 2WAY 90°	1		
	INCLUDE:			
	SWITCH LEVEL ADJUST 2WAY 4PIN	1	1324-0501-00	

3PCS AND BULK PACK SHOWN IN PICTURES FOR VISUAL REFERENCE ONLY



NOTES: Part must be in a plastic bag. Apply label with KRK part number and description.

APPROVALS:	SIGNATURES	DATE	REVISIONS
ENGINEERING	<i>Larry Altman</i>	3/25/2009	A - RELEASED FOR PRODUCTION
OPERATIONS			
PROGRAM MANAGER			

THIS DOCUMENT IS THE COPYRIGHT OF KRK SYSTEMS LLC. ALL REPRODUCTION AND COPYING, OTHER THAN THAT FOR LICENSED MANUFACTURER'S OWN INTERNAL USE, OR DISCLOSURE OF WHOLE OR PART TO A THIRD PARTY WITHOUT PRIOR WRITTEN AUTHORIZATION IS IN VIOLATION OF THE COPYRIGHT © KRK SYSTEMS LLC 2009



SERVICE PART SPEC SHEET

Service Requirements

KRK Part Number	Description	QTY	Alternate Part Number	Comments
TWTK00012	TWEETER TWK1	1		
	INCLUDE:			
	TWEETER TWK1	1		
	SCREW 3.5*8	3	LS1CG0350071	Screws to be packed in a plastic bag.
	PACKAGING:			
	MASTER CARTON	1/50	CT3537-00000	
	CARDBOARD	16/25	GP1953-00000	
	CARDBOARD	1/50	GP3441-00000	
	BAG	1	PE0801-00000	

MASTER PACK SHOWN IN PICTURE FOR VISUAL REFERENCE ONLY



NOTES: Parts must be in a plastic bag and securely packaged to prevent damage. Apply label with KRK part number, description, shipping weight, and shipping dimensions.

APPROVALS:	SIGNATURES	DATE	REVISIONS
ENGINEERING	<i>Larry Altman</i>	5/21/2009	A - RELEASED FOR PRODUCTION
OPERATIONS			
PROGRAM MANGER			

THIS DOCUMENT IS THE COPYRIGHT OF KRK SYSTEMS LLC. ALL REPRODUCTION AND COPYING, OTHER THAN THAT FOR LICENSED MANUFACTURER'S OWN INTERNAL USE, OR DISCLOSURE OF WHOLE OR PART TO A THIRD PARTY WITHOUT PRIOR WRITTEN AUTHORIZATION IS IN VIOLATION OF THE COPYRIGHT © KRK SYSTEMS LLC 2009



SERVICE PART SPEC SHEET

Service Requirements

KRK Part Number	Description	QTY	Alternate Part Number	Comments
WOFK60108	WOOFER LFK6B	1		
	INCLUDE:			
	WOOFER LFK6B	1	RP6G2-WF	
	SCREW 4*19	4	LS1AA0400151	Screws and lock washers to be packed in a plastic bag as a set
	GASKET 500*6*1.5MM	1	GK01H686-000	
	CARDBOARD WRAP	1	GP3902-00000	
	PLASTIC CONE COVER	1	PV06032-0000	
	BAG	1	PE0801-00000	



NOTES: Parts must be in a plastic bag and securely packaged to prevent damage. Apply label with KRK part number, description, shipping weight, and shipping dimensions.

APPROVALS:	SIGNATURES	DATE	REVISIONS
ENGINEERING	<i>Larry Altman</i>	3/25/2009	A - RELEASED FOR PRODUCTION
OPERATIONS			
PROGRAM MANGER			

THIS DOCUMENT IS THE COPYRIGHT OF KRK SYSTEMS LLC. ALL REPRODUCTION AND COPYING, OTHER THAN THAT FOR LICENSED MANUFACTURER'S OWN INTERNAL USE, OR DISCLOSURE OF WHOLE OR PART TO A THIRD PARTY WITHOUT PRIOR WRITTEN AUTHORIZATION IS IN VIOLATION OF THE COPYRIGHT © KRK SYSTEMS LLC 2009



SERVICE PART SPEC SHEET

Service Requirements

KRK Part Number	Description	QTY	Alternate Part Number	Comments
XFRK00017	TRANSFORMER KRP6	1		***MASTER PACK QTY 2 PCS***
	INCLUDE:			
	TRANSFORMER	1	3010-KRP6-02	Hardware to be packed in a plastic bag.
	SCREW PM4*16 SWC	4	LS1AM0401601	
	NUT M4*5MM	4	LM-1040001-1	
	GASKET Φ6.6*Φ4*1.3MM	4	DQ5066040132	
	WASHER Φ9*Φ4*1.0MM	4	DQ2090040101	
	GASKET RUBBER 68*22*3MM	2	JD-B00300515	
	PACKAGING			
	INNER CARTON	1	CH1841751050	
	WRAPPING PAD	1	BZH885167001	
	TOP PAD	1	BZH885167177	
	BAG	1	BZA250250001	
	INNER LABEL	2	TZ-K003-RP6G	
	MASTER CARTON	0.5	WX3682001291	
	OUTER LABEL	1	TZ-K004-RP6G	

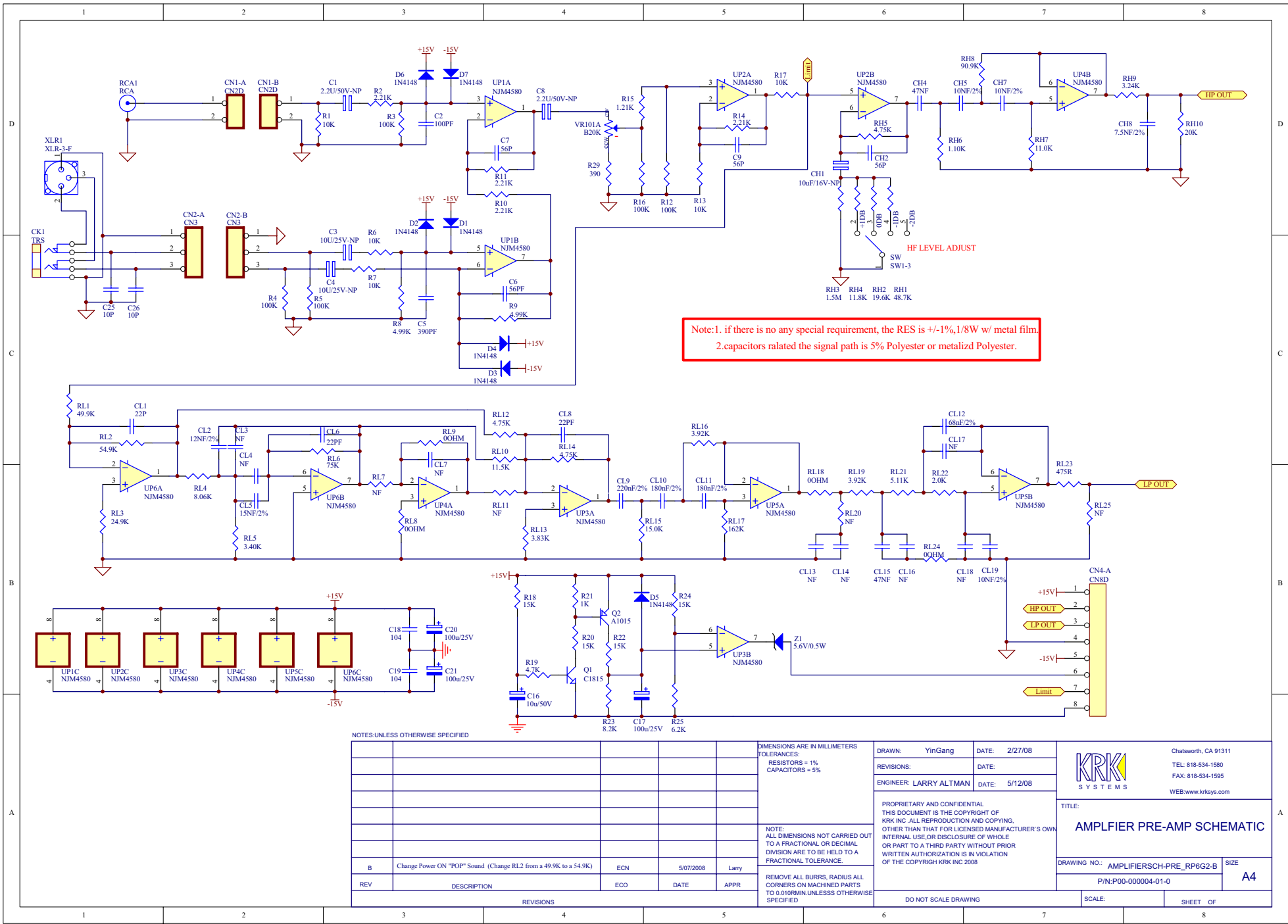
MASTER PACK SHOWN IN PICTURE FOR VISUAL REFERENCE ONLY



NOTES: Parts must be in a plastic bag and securely packaged to prevent damage. Apply label with KRK part number, description, shipping weight, and shipping dimensions.

APPROVALS:	SIGNATURES	DATE	REVISIONS
ENGINEERING	<i>Larry Altman</i>	4/1/2009	A - RELEASED FOR PRODUCTION
OPERATIONS			
PROGRAM MANGER			

THIS DOCUMENT IS THE COPYRIGHT OF KRK SYSTEMS LLC. ALL REPRODUCTION AND COPYING, OTHER THAN THAT FOR LICENSED MANUFACTURER'S OWN INTERNAL USE, OR DISCLOSURE OF WHOLE OR PART TO A THIRD PARTY WITHOUT PRIOR WRITTEN AUTHORIZATION IS IN VIOLATION OF THE COPYRIGHT © KRK SYSTEMS LLC 2009



Note:1. if there is no any special requirement, the RES is +/-1%,1/8W w/ metal film.
 2.capacitors related the signal path is 5% Polyester or metalzd Polyester.

NOTES:UNLESS OTHERWISE SPECIFIED

REV	DESCRIPTION	ECO	DATE	APPR
B	Change Power ON "POP" Sound (Change RL2 from a 49.9K to a 54.9K)		5/07/2008	Larry
REVISIONS				

DIMENSIONS ARE IN MILLIMETERS
 TOLERANCES:
 RESISTORS = 1%
 CAPACITORS = 5%

NOTE:
 ALL DIMENSIONS NOT CARRIED OUT
 TO A FRACTIONAL OR DECIMAL
 DIVISION ARE TO BE HELD TO A
 FRACTIONAL TOLERANCE.

REMOVE ALL BURRS, RADIUS ALL
 CORNERS ON MACHINED PARTS
 TO 0.010RMIN UNLESS OTHERWISE
 SPECIFIED

DRAWN: YinGang
 REVISIONS:
 ENGINEER: LARRY ALTMAN
 DATE: 2/27/08
 DATE: 5/12/08

PROPRIETARY AND CONFIDENTIAL
 THIS DOCUMENT IS THE COPYRIGHT OF
 KRK INC. ALL REPRODUCTION AND COPYING,
 OTHER THAN THAT FOR LICENSED MANUFACTURER'S OWN
 INTERNAL USE OR DISCLOSURE OF WHOLE
 OR PART TO A THIRD PARTY WITHOUT PRIOR
 WRITTEN AUTHORIZATION IS IN VIOLATION
 OF THE COPYRIGHT KRK INC 2008

DO NOT SCALE DRAWING

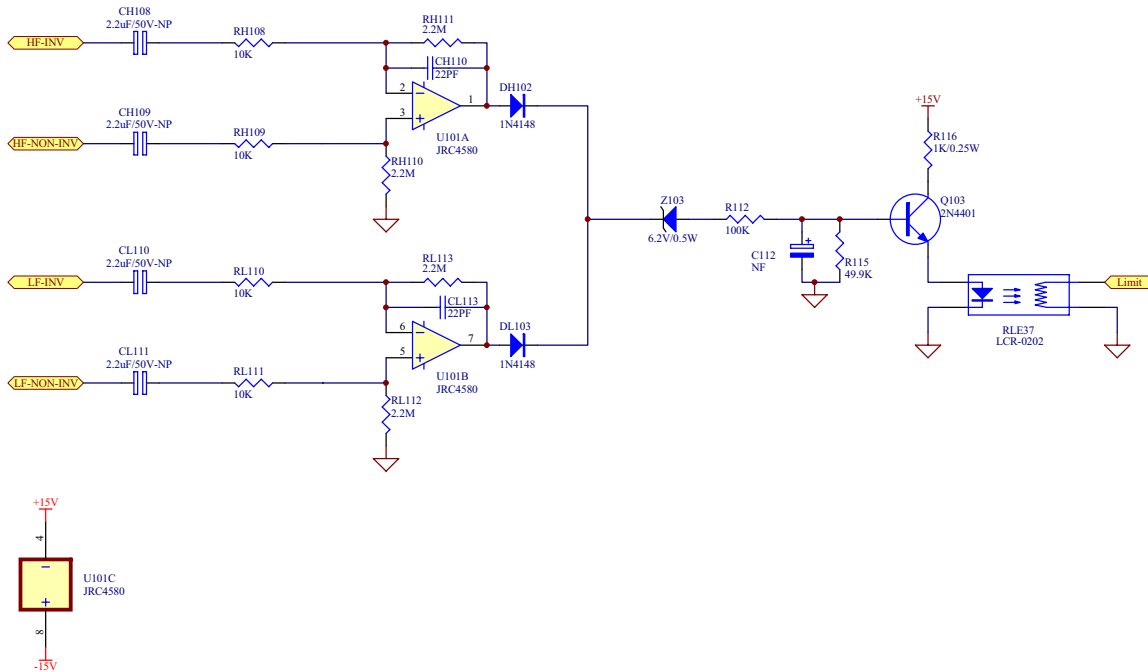
Chatsworth, CA 91311
 TEL: 818-534-1580
 FAX: 818-534-1595
 WEB: www.krksys.com

TITLE:
AMPLIFIER PRE-AMP SCHEMATIC

DRAWING NO.: AMPLIFIERSCH-PRE_RP6G2-B
 P/N: P00-000004-01-0

SCALE: SHEET OF

SIZE: **A4**



NOTES: UNLESS OTHERWISE SPECIFIED

REV	DESCRIPTION	ECO	DATE	APPR
A	RELEASED FOR PRODUCTION	NIF	5/12/2008	LA
REVISIONS				

DIMENSIONS ARE IN MILLIMETERS
TOLERANCES:
RESISTORS = 1%
CAPACITORS = 5%

NOTE:
ALL DIMENSIONS NOT CARRIED OUT
TO A FRACTIONAL OR DECIMAL
DIVISION ARE TO BE HELD TO A
FRACTIONAL TOLERANCE.

REMOVE ALL BURRS, RADIUS ALL
CORNERS ON MACHINED PARTS
TO 0.010RMIN UNLESS OTHERWISE
SPECIFIED

DRAWN: YinGang DATE: 2/27/08
REVISIONS: DATE:
ENGINEER: LARRY ALTMAN DATE: 5/12/08

PROPRIETARY AND CONFIDENTIAL
THIS DOCUMENT IS THE COPYRIGHT OF
KRK INC. ALL REPRODUCTION AND COPYING,
OTHER THAN THAT FOR LICENSED MANUFACTURER'S OWN
INTERNAL USE, OR DISCLOSURE OF WHOLE
OR PART TO A THIRD PARTY WITHOUT PRIOR
WRITTEN AUTHORIZATION IS IN VIOLATION
OF THE COPYRIGHT KRK INC 2008

Chatsworth, CA 91311
TEL: 818-534-1580
FAX: 818-534-1595
WEB: www.krksys.com



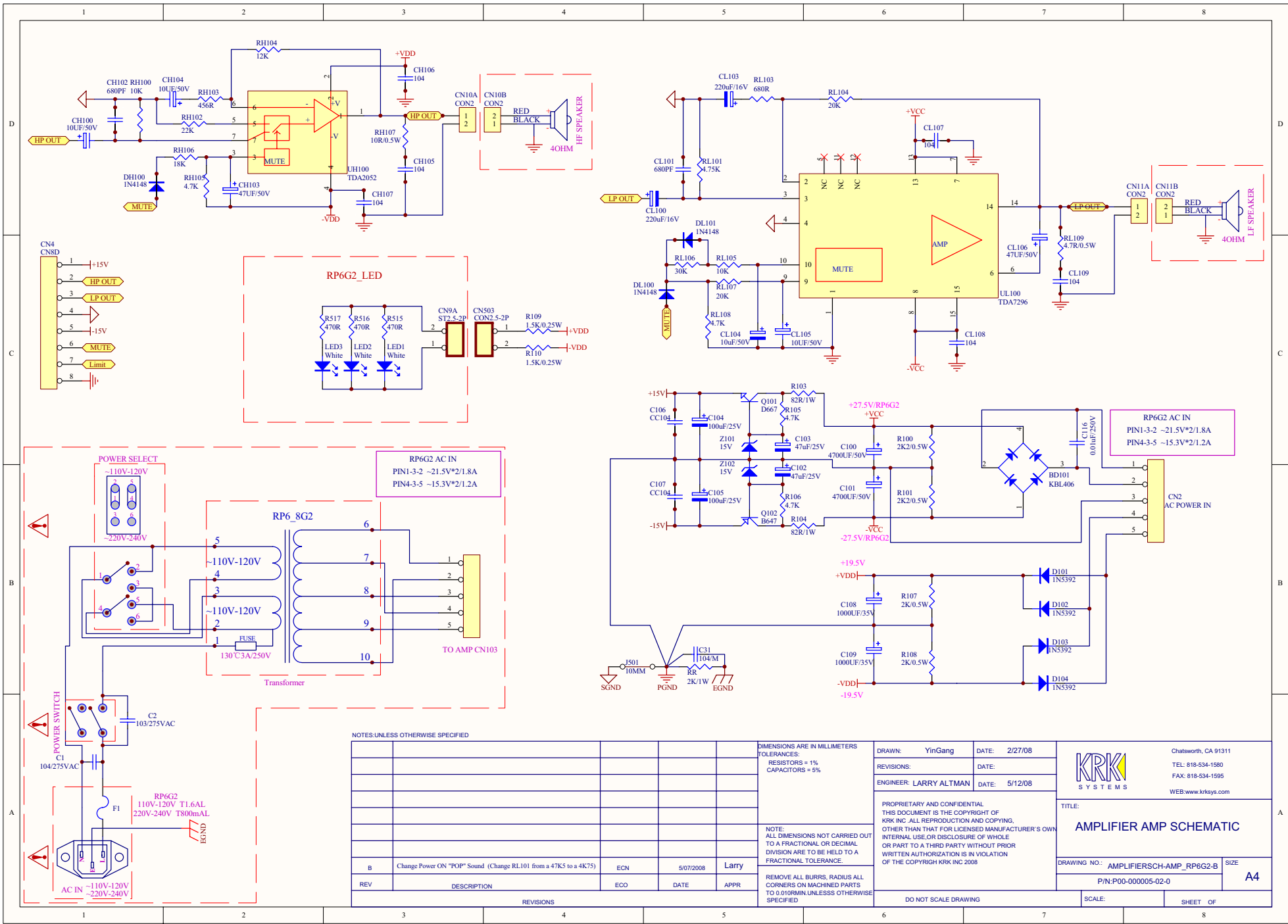
TITLE:
AMPLIFIER LIMITER SCHEMATIC

DRAWING NO: AMPLIFIERSCH-LIMITER_RP6G2-A SIZE: A4
P/N: P00-000005-02-0

DO NOT SCALE DRAWING

SCALE:

SHEET OF



NOTES: UNLESS OTHERWISE SPECIFIED

REV	DESCRIPTION	ECO	DATE	APPR
B	Change Power ON "POP" Sound (Change RL101 from a 47K5 to a 4K75)		5/07/2008	Larry
REVISIONS				

DIMENSIONS ARE IN MILLIMETERS
TOLERANCES:
RESISTORS = 1%
CAPACITORS = 5%

NOTE:
ALL DIMENSIONS NOT CARRIED OUT
TO A FRACTIONAL OR DECIMAL
DIVISION ARE TO BE HELD TO A
FRACTIONAL TOLERANCE.

REMOVE ALL BURRS, RADIUS ALL
CORNERS ON MACHINED PARTS TO
0.010RMIN UNLESS OTHERWISE
SPECIFIED

DRAWN: YinGang
REVISIONS:
ENGINEER: LARRY ALTMAN
DATE: 2/27/08
DATE:
DATE: 5/12/08

PROPRIETARY AND CONFIDENTIAL
THIS DOCUMENT IS THE COPYRIGHT OF
KRK INC. ALL REPRODUCTION OF WHOLE
INTERNAL USE OR DISCLOSURE OF WHOLE
OR PART TO A THIRD PARTY WITHOUT PRIOR
WRITTEN AUTHORIZATION IS IN VIOLATION
OF THE COPYRIGHT KRK INC 2008

DO NOT SCALE DRAWING

Chatsworth, CA 91311
TEL: 818-534-1580
FAX: 818-534-1595
WEB: www.krksys.com

KRK
S Y S T E M S

TITLE:
AMPLIFIER AMP SCHEMATIC

DRAWING NO.: AMPLIFIERSCH_AMP_RP6G2-B
P/N: P00-000005-02-0

SIZE: **A4**

SCALE: SHEET OF