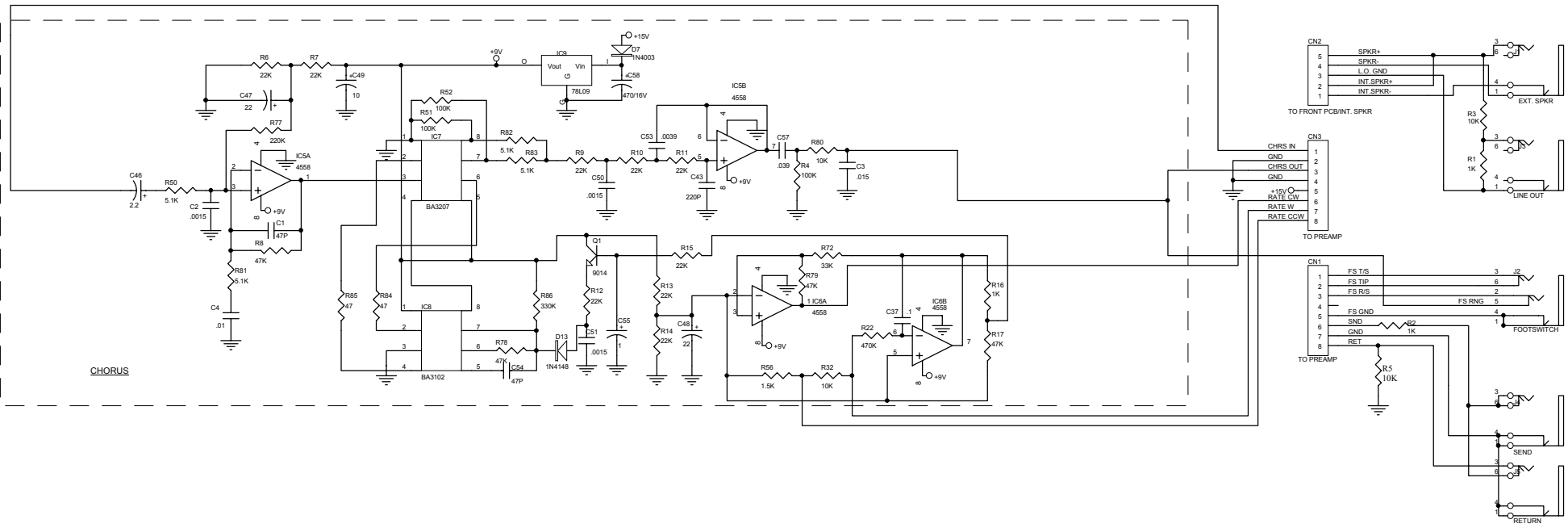


VOLTAGE	TRANSFORMER P/N	FUSE
100V	5600-0321	T630mA/250V
120V	5600-0322	T630mA/250V
240V	5600-0323	T315mA/250V

DENOTES CRITICAL COMPONENT
REPLACE ONLY WITH IDENTICAL
KUSTOM PART

Title KAA30 ACOUSTIC AMP		
Size	Number	Revision
OrCAD B		
Date:	30-Aug-2001	MPK & FWK
File:	F:\K2008...KAA30 ACOUSTIC AMP 03APR01.Sch	Sheet of
		Drawn By:



Title			KAA 30 BACK PANEL-CHORUS		
Size	Number	PCB P/N 1700-0550		Revision	
Tabfold					
Date:	30-Aug-2001		Sheet of		
File:	F:\K2005_1\KAA30 BACK PANEL-CHORUS G3AP		By:		