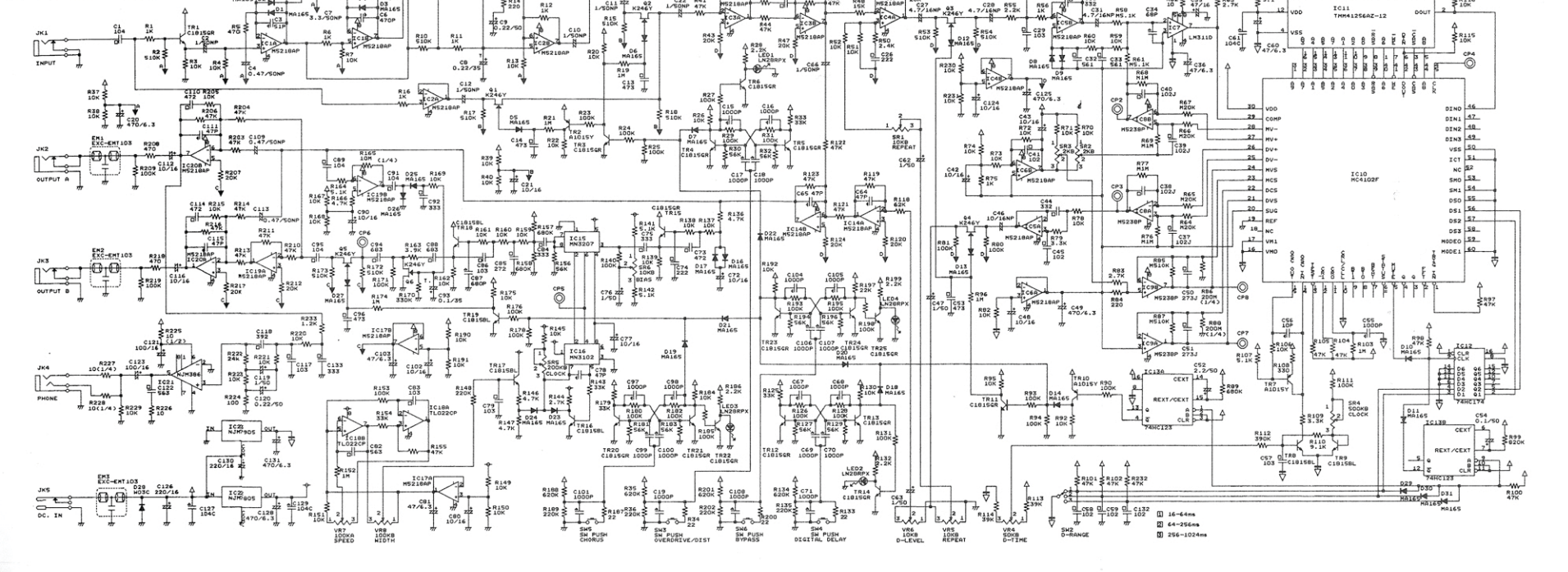
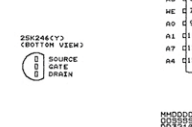
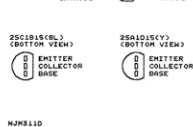
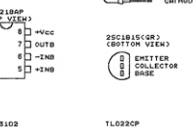
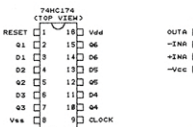


PROTRIO PT3 GUITAR



PARTS LIST

REF. NO.	IC	TR	FET (Q)	D	LED
1.	MS218MP	28C1815(GR)	28K246(CY)	MJ165	LN288PX
2.	MS219MP	28A1015(Y)	28K246(CY)	MJ165	LN288PX
3.	MS218MP	28C1815(GR)	28K246(CY)	MJ165	LN288PX
4.	MS219MP	28C1815(GR)	28K246(CY)	MJ165	LN288PX
5.	MS218MP	28C1815(GR)	28K246(CY)	MJ165	LN288PX
6.	MS219MP	28C1815(GR)	28K246(CY)	MJ165	LN288PX
7.	MN3110	28A1015(Y)		MJ165	
8.	MS239P	28C1815(BL)		MJ165	
9.	MS239P	28C1815(BL)		MJ165	
10.	MC102FP	28A1015(Y)		MJ165	
11.	TM41256AZ-12	28C1815(GR)		MJ165	
12.	74HC174	28C1815(GR)		MJ165	
13.	74HC123	28C1815(GR)		MJ165	
14.	MS218MP	28C1815(GR)		MJ165	
15.	MN2027	28C1815(GR)		MJ165	
16.	MN3102	28C1815(BL)		MJ165	
17.	MS219MP	28C1815(BL)		MJ165	
18.	TLO22CP	28C1815(BL)		MJ165	
19.	MS218MP	28C1815(BL)		MJ165	
20.	MS218MP	28C1815(GR)		MJ165	
21.	MN3060	28C1815(GR)		MJ165	
22.	NM27009FA	28C1815(GR)		MJ165	
23.	NM27009FA	28C1815(GR)		MJ165	
24.	MS218MP	28C1815(GR)		MJ165	
25.	MS218MP	28C1815(GR)		MJ165	
26.	MS218MP	28C1815(GR)		MJ165	
27.	MS218MP	28C1815(GR)		MJ165	
28.	MS218MP	28C1815(GR)		MJ165	
29.	MS218MP	28C1815(GR)		MJ165	
30.	MS218MP	28C1815(GR)		MJ165	
31.	MS218MP	28C1815(GR)		MJ165	



TM41256AZ-12 (TOP VIEW)
 16 15 14 13 12 11 10 9 8 7 6 5 4 3 2 1
 VDD 16
 COM 15
 VSS 14
 VDD 13
 VSS 12
 VDD 11
 VSS 10
 VDD 9
 VSS 8
 VDD 7
 VSS 6
 VDD 5
 VSS 4
 VDD 3
 VSS 2
 VDD 1
 VSS 0

CAUTION !!
 This schematic diagram is a normal standard one, the parts rating and/or schematic diagram will be subject to change without notice.

NOTES !!
 A : CERAMIC CAPACITORS are above 25V ratings.
 B : ALL CERAMIC CAPACITORS are above 50V ratings.
 C : ALL FILM CAPACITORS are above 50V ratings.
 D : NEW POLAR CAPACITOR.
 E : ELECTROLYTIC CAPACITORS unless otherwise indicated.
 F : RESISTANCE IN OHM, K=1K, M=1M, D=DECIMIL RESISTANCE, 1/4W OR 1/2W 5% RATING. CAPACITANCE IN PPF, UUF.

