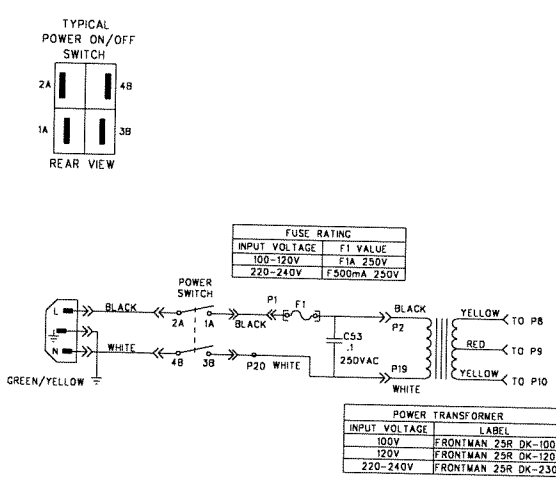
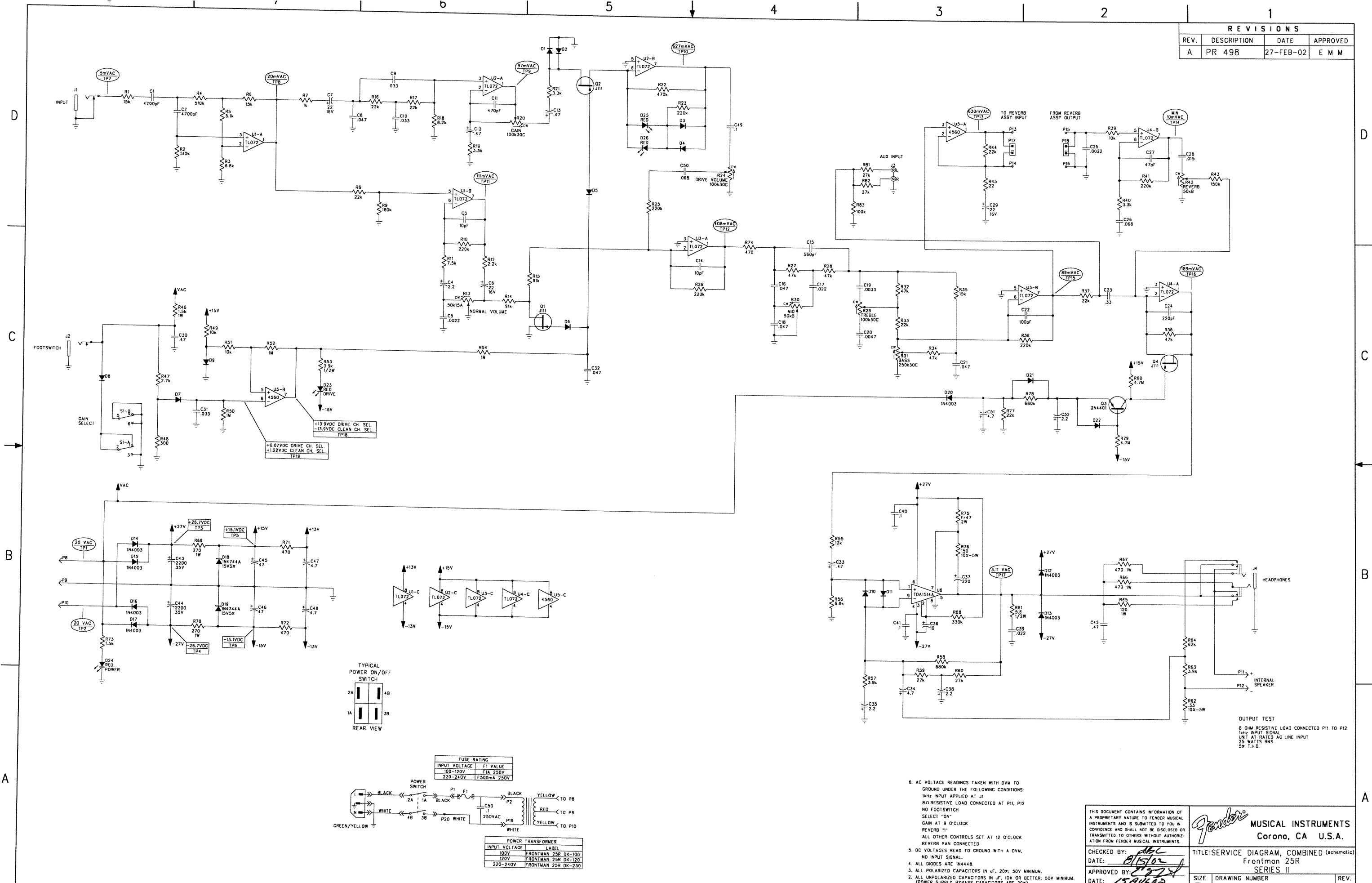


REVISIONS			
REV.	DESCRIPTION	DATE	APPROVED
A	PR 498	27-FEB-02	E M M



6. AC VOLTAGE READINGS TAKEN WITH DVM TO GROUND UNDER THE FOLLOWING CONDITIONS:
 1kHz INPUT APPLIED AT J1
 8Ω RESISTIVE LOAD CONNECTED AT P11, P12
 NO FOOTSWITCH
 GAIN AT 9 O'CLOCK
 SELECT "ON"
 REVERB "1"
 ALL OTHER CONTROLS SET AT 12 O'CLOCK
 REVERB PAN CONNECTED
5. DC VOLTAGES READ TO GROUND WITH A DVM,
 NO INPUT SIGNAL.
4. ALL DIODES ARE 1N4448.
3. ALL POLARIZED CAPACITORS IN μF, 50V MINIMUM.
 (POWER SUPPLY BYPASS CAPACITORS ARE 20X).
2. ALL UNPOLARIZED CAPACITORS IN μF, 10X OR BETTER, 50V MINIMUM.
 (POWER SUPPLY BYPASS CAPACITORS ARE 20X).
1. ALL RESISTORS IN OHMS, 5X; 1/4W.
- NOTES: (UNLESS OTHERWISE NOTED)

THIS DOCUMENT CONTAINS INFORMATION OF A PROPRIETARY NATURE TO FENDER MUSICAL INSTRUMENTS AND IS SUBMITTED TO YOU IN CONFIDENCE AND SHALL NOT BE DISCLOSED OR TRANSMITTED TO OTHERS WITHOUT AUTHORIZATION FROM FENDER MUSICAL INSTRUMENTS.

CHECKED BY: *[Signature]*
 DATE: 01/5/02

APPROVED BY: *[Signature]*
 DATE: 15/AUG/02

DRAWN: M. ULRICH ENGR: M. ULRICH
 DATABASE FILE: 249BS.SCH

Fender MUSICAL INSTRUMENTS
 Corona, CA U.S.A.

TITLE: SERVICE DIAGRAM, COMBINED (schematic)
 Frontman 25R
 SERIES II

SIZE: D DRAWING NUMBER: 0059835000
 REV. A

RELEASE DATE: 27-FEB-02 SHEET: 1 OF 2

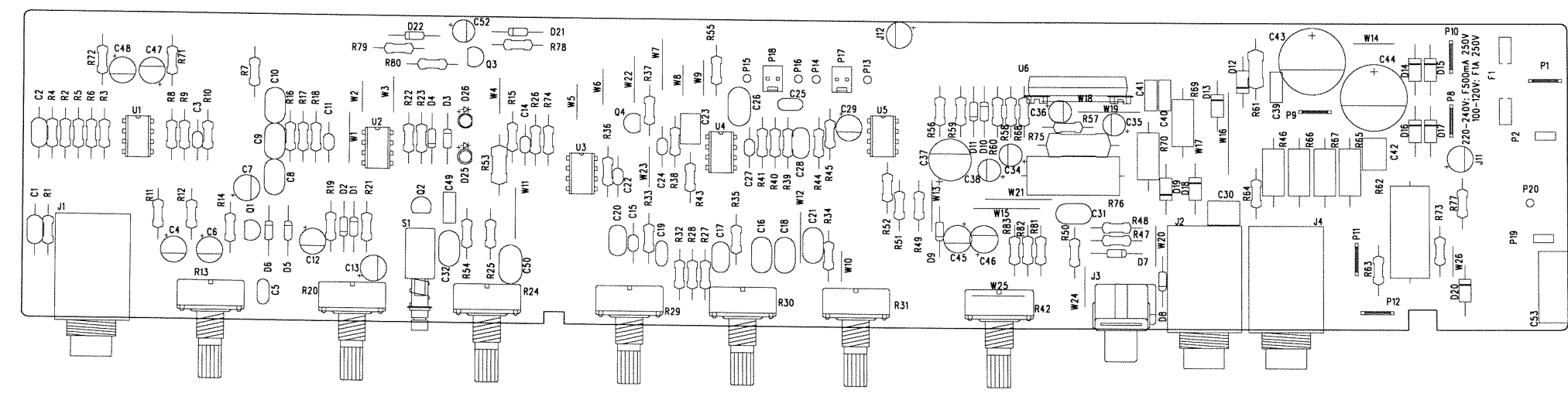
OUTPUT TEST
 8 ΩW RESISTIVE LOAD CONNECTED P11 TO P12
 1kHz INPUT SIGNAL
 UNIT AT RATED AC LINE INPUT
 25 WATTS RMS
 5X T.H.D.

8 7 6 5 4 3 2 1


REVISIONS			
REV.	DESCRIPTION	DATE	APPROVED
A	PR 498	27-FEB-02	E M M

D
C
B
A

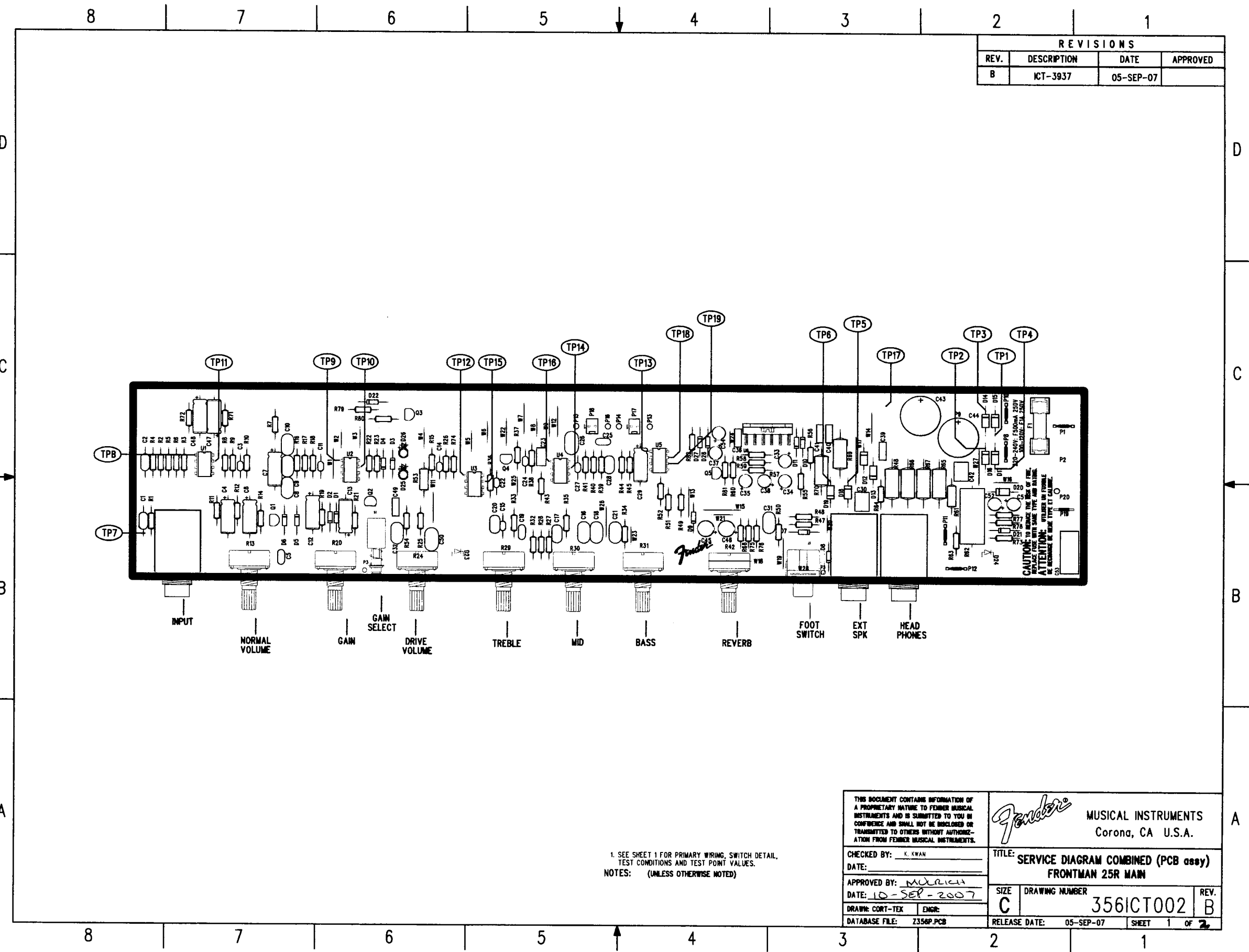
D
C
B
A



NOTES: (UNLESS OTHERWISE NOTED)

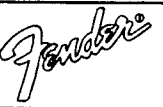
THIS DOCUMENT CONTAINS INFORMATION OF A PROPRIETARY NATURE TO FENDER MUSICAL INSTRUMENTS AND IS SUBMITTED TO YOU IN CONFIDENCE AND SHALL NOT BE DISCLOSED OR TRANSMITTED TO OTHERS WITHOUT AUTHORIZATION FROM FENDER MUSICAL INSTRUMENTS.		 MUSICAL INSTRUMENTS Corona, CA U.S.A.	
CHECKED BY: <i>abc</i>	DATE: <i>8/15/02</i>	TITLE: SERVICE DIAGRAM, COMBINED (PCB assy) FRONTMAN 25R SERIES II	
APPROVED BY: <i>[Signature]</i>	DATE: <i>15AUG02</i>	SIZE: C	DRAWING NUMBER: 0059835000
DRAWN: M ULRICH	ENGR: M ULRICH	RELEASE DATE: 27-FEB-02	REV. A
DATABASE FILE: 2498P.PCB		SHEET 2 OF 2	

8 7 6 5 4 3 2 1

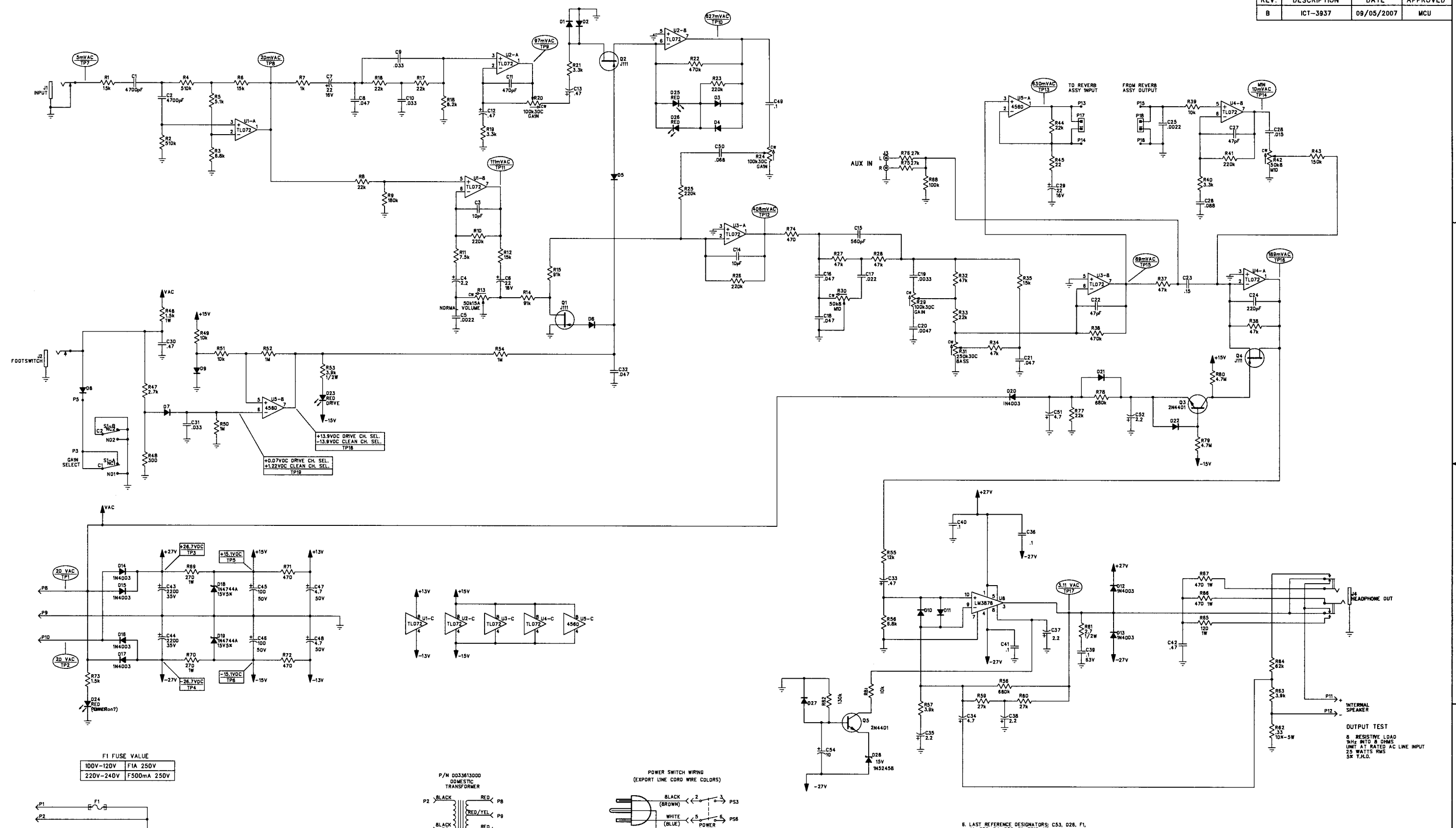


REVISIONS			
REV.	DESCRIPTION	DATE	APPROVED
B	KT-3937	05-SEP-07	

1. SEE SHEET 1 FOR PRIMARY WIRING, SWITCH DETAIL, TEST CONDITIONS AND TEST POINT VALUES.
 NOTES: (UNLESS OTHERWISE NOTED)

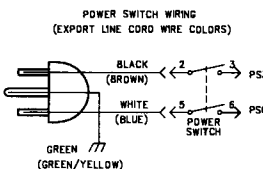
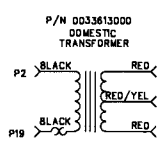
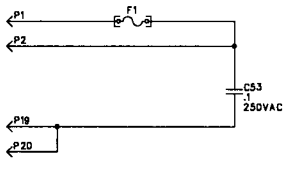
THIS DOCUMENT CONTAINS INFORMATION OF A PROPRIETARY NATURE TO FENDER MUSICAL INSTRUMENTS AND IS SUBMITTED TO YOU IN CONFIDENCE AND SHALL NOT BE DISCLOSED OR TRANSMITTED TO OTHERS WITHOUT AUTHORIZATION FROM FENDER MUSICAL INSTRUMENTS.		 MUSICAL INSTRUMENTS Corona, CA U.S.A.	
CHECKED BY: K. KWAN DATE:		TITLE: SERVICE DIAGRAM COMBINED (PCB Assy) FRONTMAN 25R MAIN	
APPROVED BY: MURICH DATE: 10-SEP-2007		SIZE: C	DRAWING NUMBER: 356ICT002
DRAWN: CORT-TEK ENGR:		RELEASE DATE: 05-SEP-07	REV. B
DATABASE FILE: Z356P.PCB		SHEET 1 OF 2	

REVISIONS			
REV.	DESCRIPTION	DATE	APPROVED
B	ICT-3937	09/05/2007	MCU



F1 FUSE VALUE

100V-120V	F1A 250V
220V-240V	F500mA 250V



DOMESTIC UNITS:
A WHITE WIRE CONNECTS PS3 TO P1.
A BLACK WIRE CONNECTS PS8 TO P2D.
(WIRE SET PCB ASSY P/N 0057169000)

- LAST REFERENCE DESIGNATORS: C53, D26, F1, J4, P2D, Q4, R8D, S1, TP19, U8.
 - AC VOLTAGE REMAINS TAKEN WITH DVM TO GROUND UNDER THE FOLLOWING CONDITIONS:
8Ω INPUT APPLIED AT J1
8Ω RESISTIVE LOAD CONNECTED AT P11, P12
NO FOOTSWITCH
SELECT "ON"
GAIN AT 9 O'CLOCK
REVERB "0"
ALL OTHER CONTROLS SET AT 12 O'CLOCK
REVERB PAN CONNECTED
 - ALL DIODES ARE 1N4448.
 - ALL POLARIZED CAPACITORS IN μF, 20%; 50V MINIMUM.
 - ALL UNPOLARIZED CAPACITORS IN μF, 10% DR BETTER; 50V MINIMUM. (POWER SUPPLY BYPASS CAPACITORS ARE 20%).
 - ALL RESISTORS IN OHMS, 5%; 1/4W.
- NOTES: (UNLESS OTHERWISE NOTED)

THIS DOCUMENT CONTAINS INFORMATION OF A PROPRIETARY NATURE TO FENDER MUSICAL INSTRUMENTS AND IS SUBMITTED TO YOU IN CONFIDENCE AND SHALL NOT BE DISCLOSED OR TRANSMITTED TO OTHERS WITHOUT AUTHORIZATION FROM FENDER MUSICAL INSTRUMENTS.

Fender MUSICAL INSTRUMENTS
Corona, CA U.S.A.

CHECKED BY: K. KWAN
DATE: 10 SEPT 2007

TITLE: SERVICE DIAGRAM, COMBINED (schematic) FRONTMAN 25R

APPROVED BY: *M. Kwan*
DATE: 10-SEP-2007

SIZE: D DRAWING NUMBER: 356ICT002 REV: B

DRAWN: CRT ENGR: DATABASE FILE: Z356S.SCH RELEASE DATE: 10 SEPT 2007 SHEET: 2 OF 2

OUTPUT TEST
8 RESISTIVE LOAD
8Ω INTO 8 OHMS
UNIT AT RATED AC LINE INPUT
25 WATTS RMS
5% T.L.D.