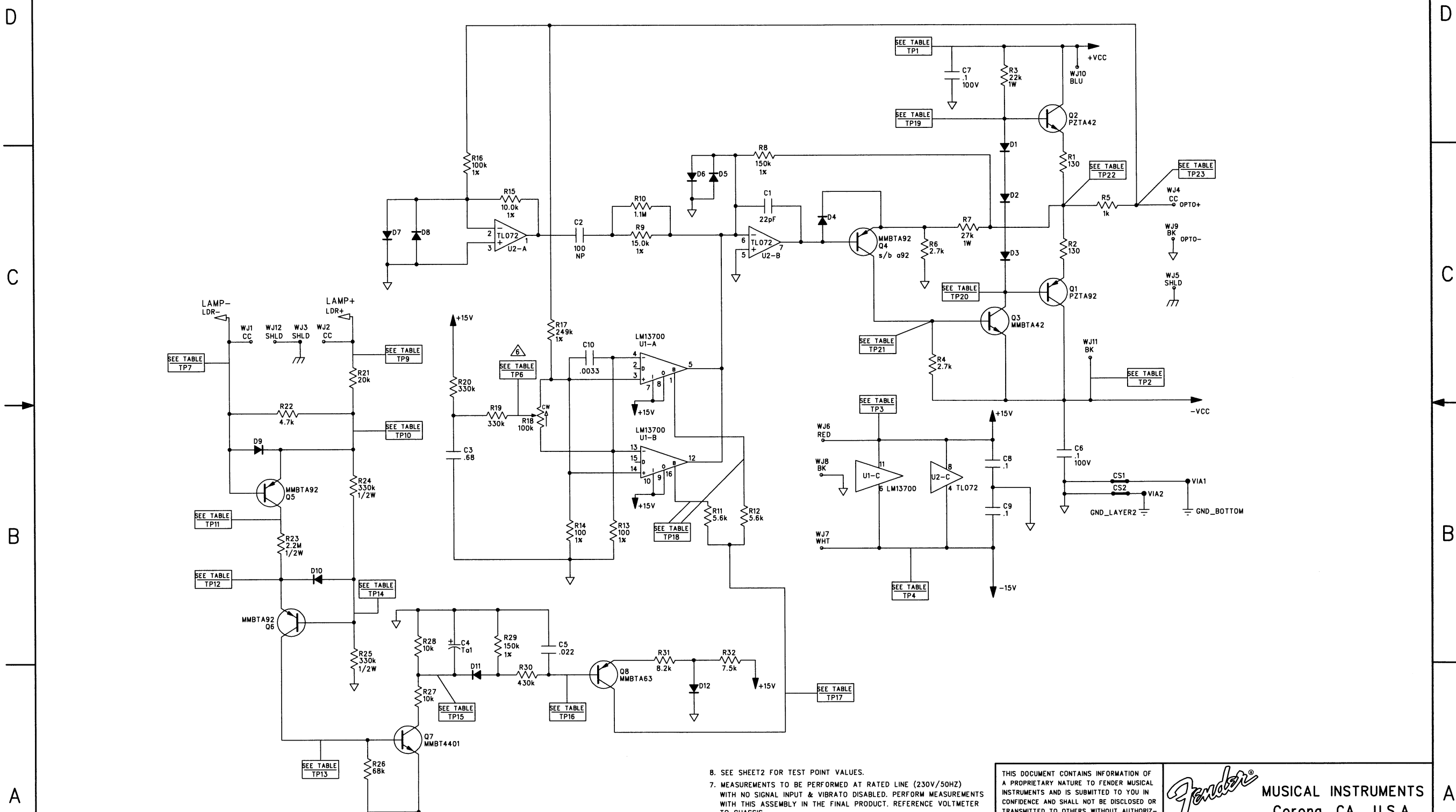


REVISIONS			
REV.	DESCRIPTION	DATE	APPROVED
A	EC3718	15-DEC-06	S M M



8. SEE SHEET2 FOR TEST POINT VALUES.
 7. MEASUREMENTS TO BE PERFORMED AT RATED LINE (230V/50HZ) WITH NO SIGNAL INPUT & VIBRATO DISABLED. PERFORM MEASUREMENTS WITH THIS ASSEMBLY IN THE FINAL PRODUCT. REFERENCE VOLTMETER TO CHASSIS.
 - △ ADJUST R18 TO REMOVE AUDIBLE TREMOLO PULSING WHEN NO SIGNAL IS PRESENT.
 5. THIS SCHEMATIC IS FOR PCB FABRICATION P/N 0073580000 AND PCB ASSEMBLY P/N 0073578000.
 4. ALL DIODES ARE 1N4448.
 3. ALL POLARIZED CAPACITORS IN μ F, 20%; 50V MINIMUM.
 2. ALL UNPOLARIZED CAPACITORS IN μ F, 10% OR BETTER; 50V MINIMUM. (POWER SUPPLY BYPASS CAPACITORS ARE 20%).
 1. ALL RESISTORS IN OHMS, 5%; 1/4W.
- NOTES: (UNLESS OTHERWISE NOTED)

THIS DOCUMENT CONTAINS INFORMATION OF A PROPRIETARY NATURE TO FENDER MUSICAL INSTRUMENTS AND IS SUBMITTED TO YOU IN CONFIDENCE AND SHALL NOT BE DISCLOSED OR TRANSMITTED TO OTHERS WITHOUT AUTHORIZATION FROM FENDER MUSICAL INSTRUMENTS.		Fender MUSICAL INSTRUMENTS Corona, CA U.S.A.	
CHECKED BY: <i>M. Miller</i>		TITLE: SERVICE DIAGRAM, COMBINED (schematic)	
DATE: 12/18/2006		TREMOLLO LDR REPLACEMENT TREMOLLO PCB	
APPROVED BY: <i>M. Marshall</i>		SIZE: C	DRAWING NUMBER: 0073579000
DATE: 12/18/06		REV. A	
DRAWN: GIT'LO ENGR: GIT'LO		RELEASE DATE: 15-DEC-06 SHEET: 1 OF 3	
DATABASE FILE: E3718S1.SCH			