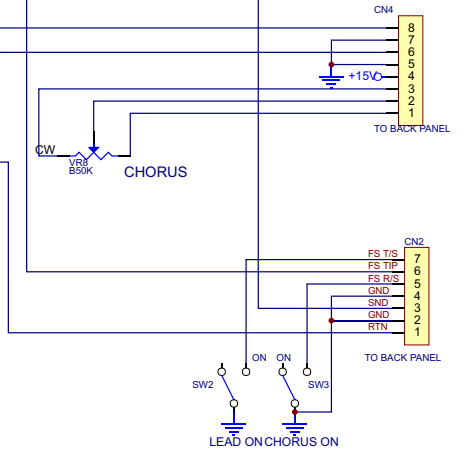
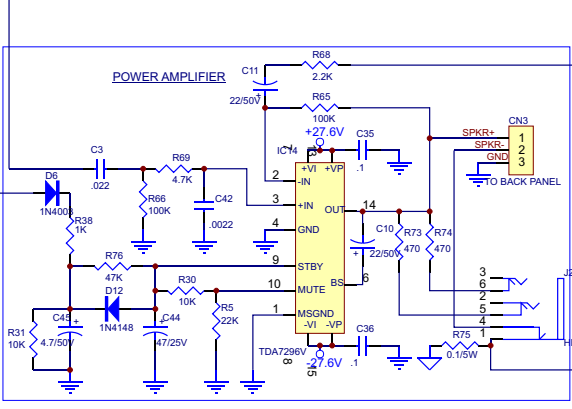
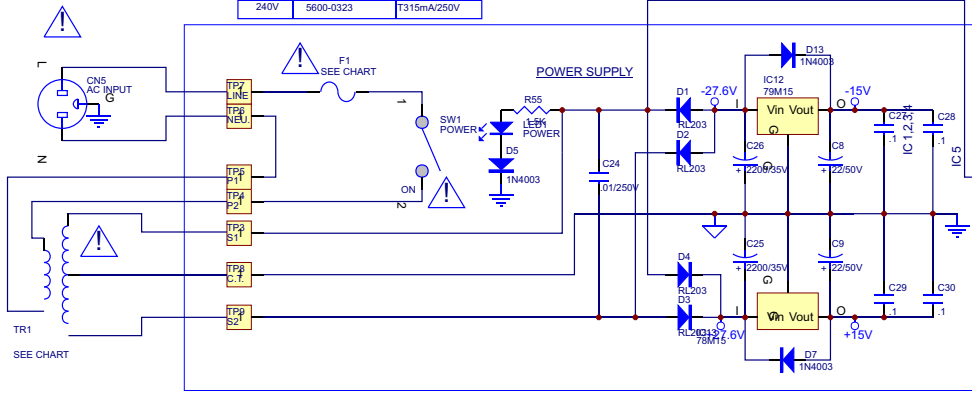


VOLTAGE	TRANSFORMER P/N	FUSE
100V	5600-0321	T630mA/250V
120V	5600-0322	T630mA/250V
240V	5600-0323	T315mA/250V

⚠ DENOTES CRITICAL COMPONENT
REPLACE ONLY WITH IDENTICAL
KUSTOM PART

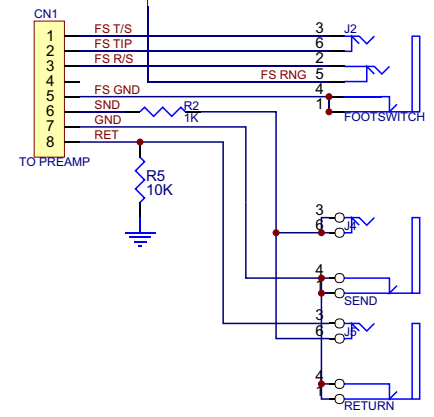
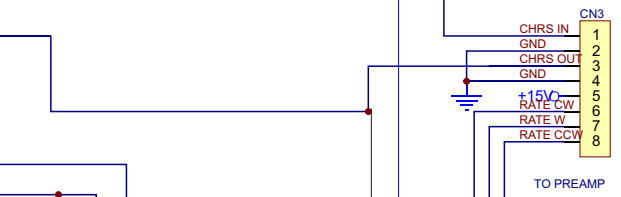
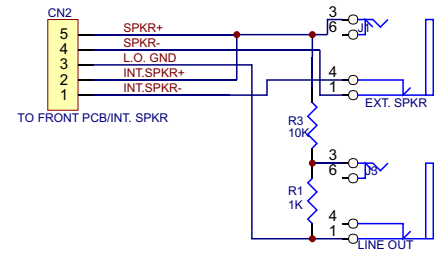
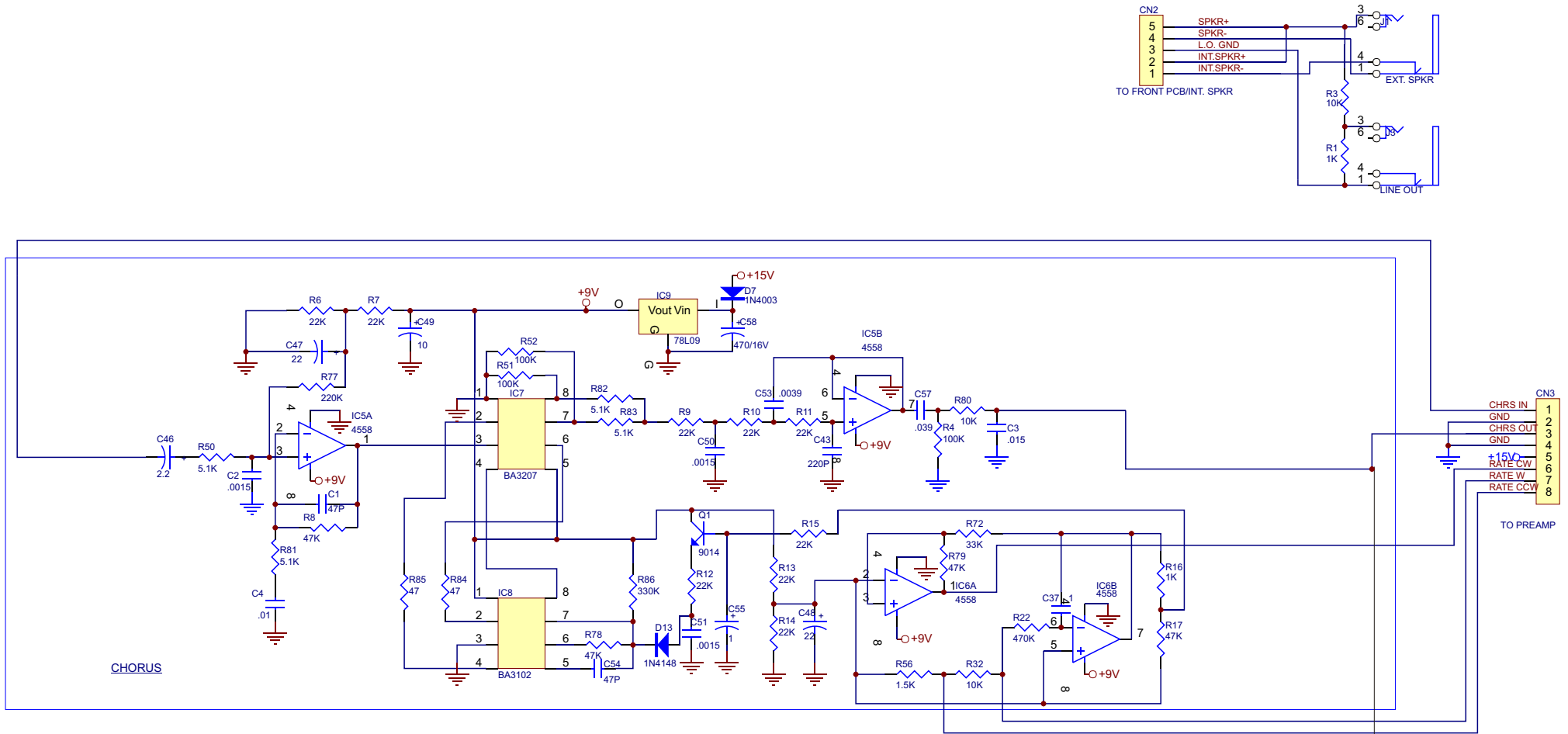


KUSTOM

Title: DUAL 30RC LEAD GUITAR AMP

Size: 11x17 L&A	Part Number: PCB P/N 1700-0540	Revision: A
Date:	Sheet of	

File: =organization =address1 =address2 =address3 =address4



DUAL 30 RC BACK PANEL-CHORUS