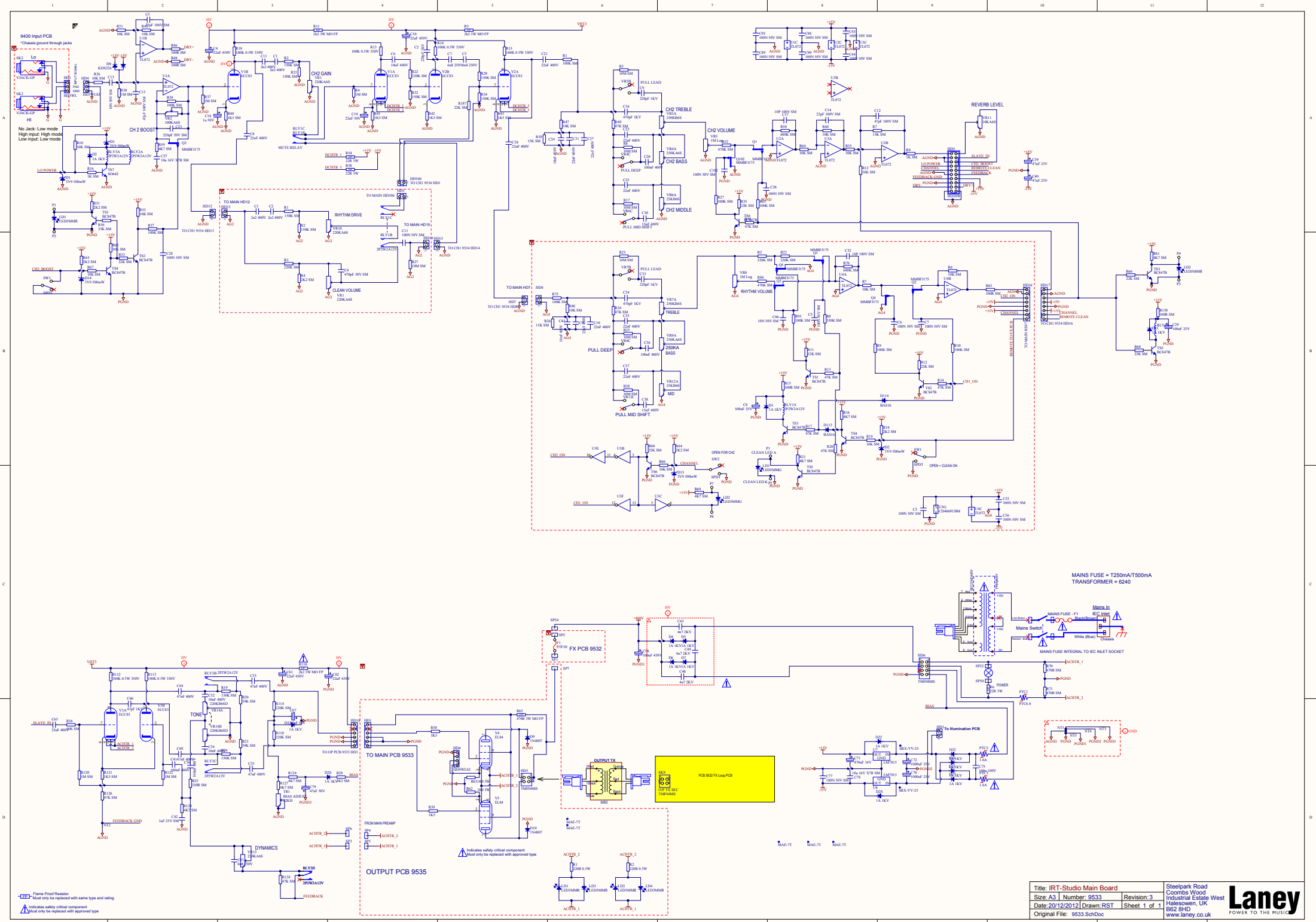
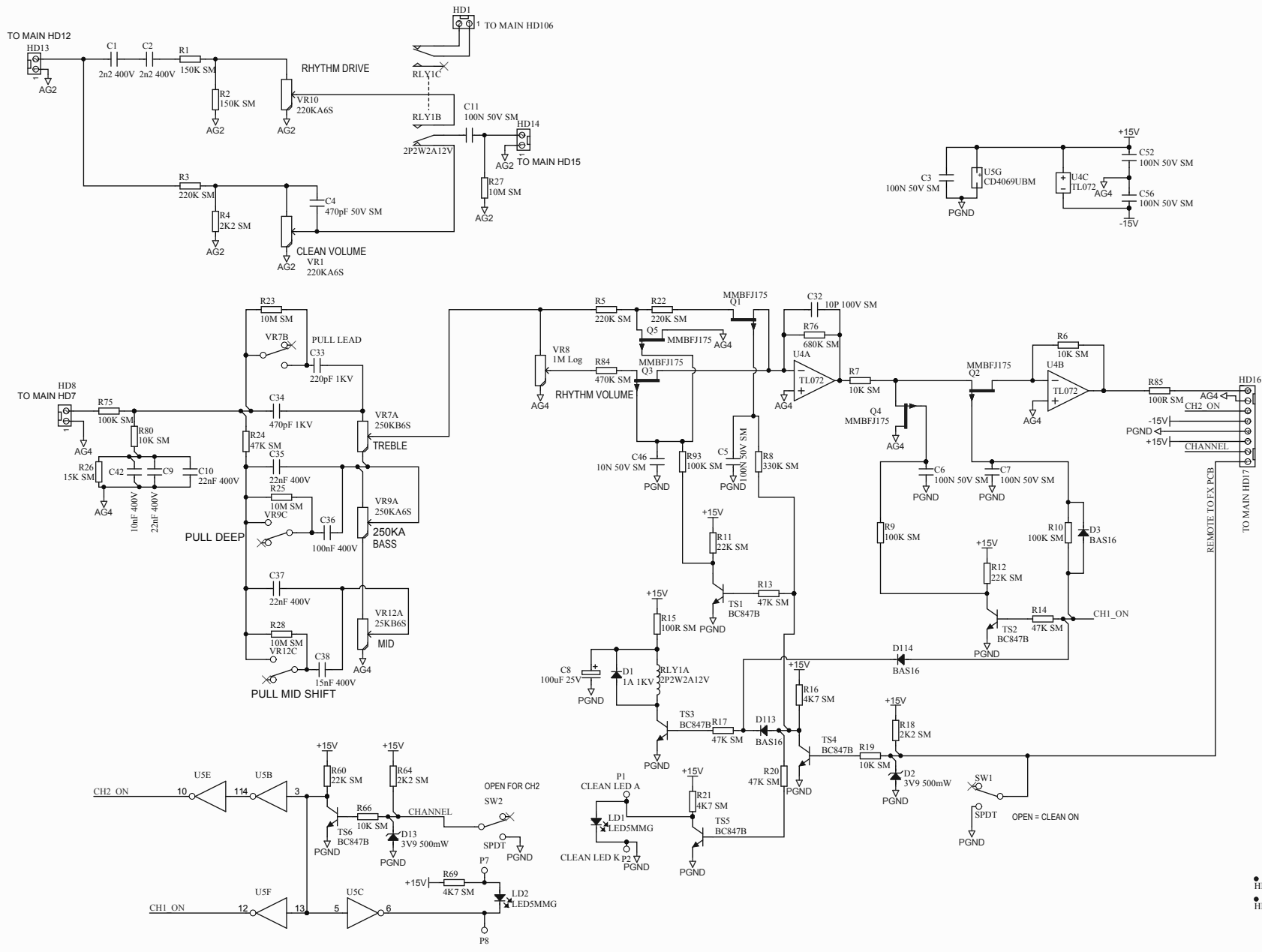


IRT-Studio
Service Information

Laney
POWER TO THE MUSIC
www.laney.co.uk





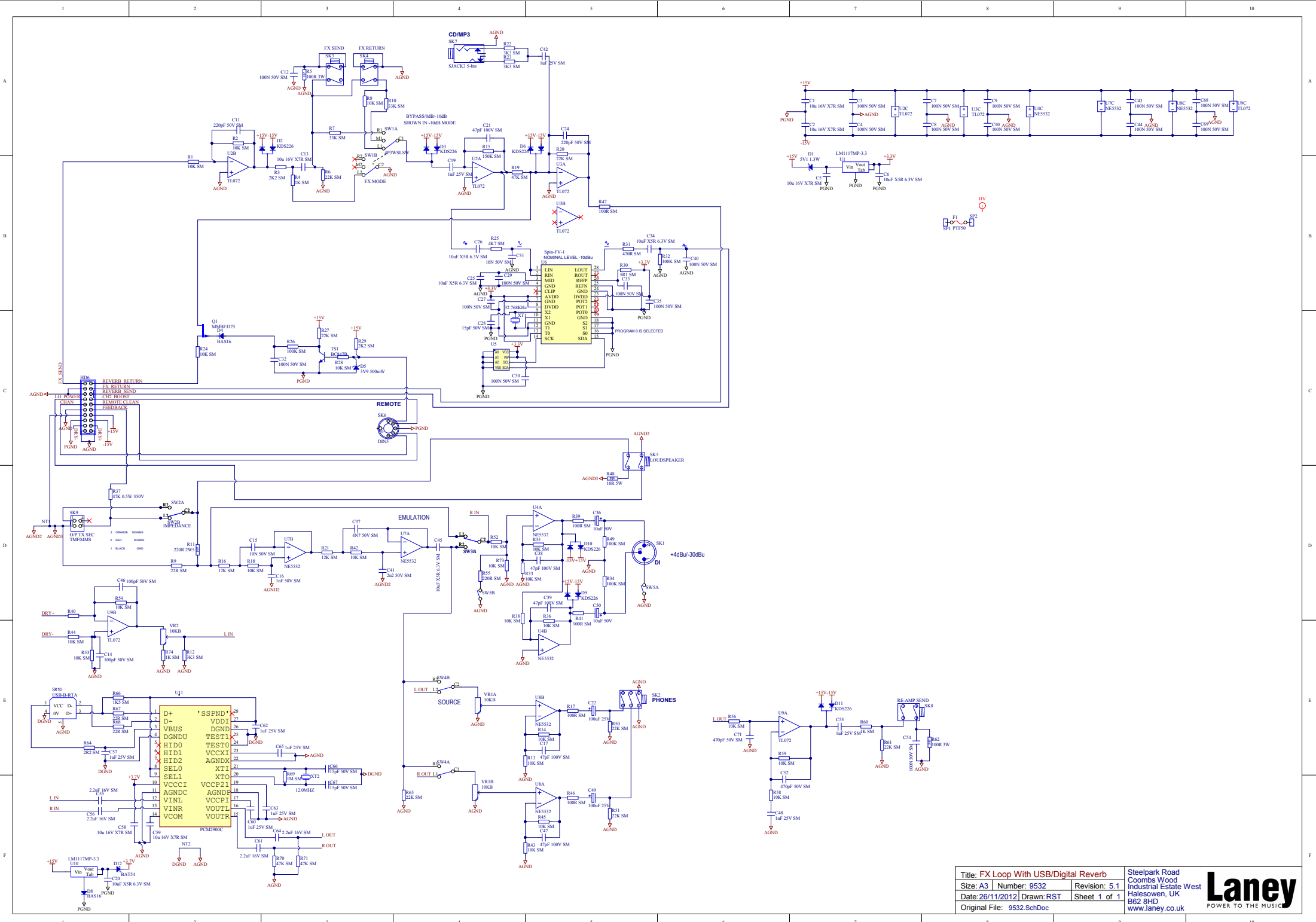
⚠ Indicates safety critical component
 Must only be replaced with approved type

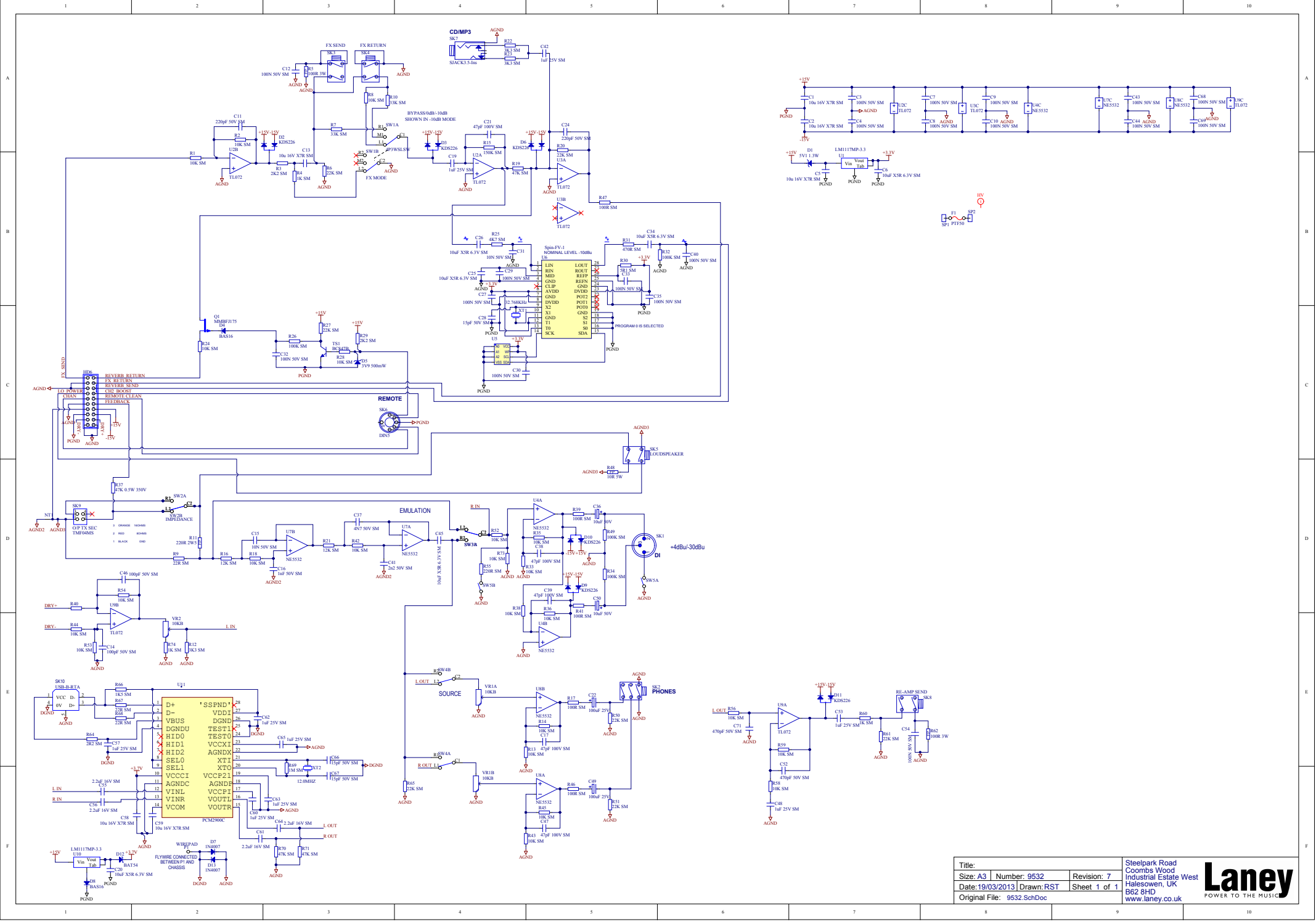
Title: IRT Studio		
Size: A3	Number: 9534	Revision: 3.00
Date: 09/07/2013	Time: 10:52:32	Sheet 1 of 1
Original File: 9534.SchDoc		

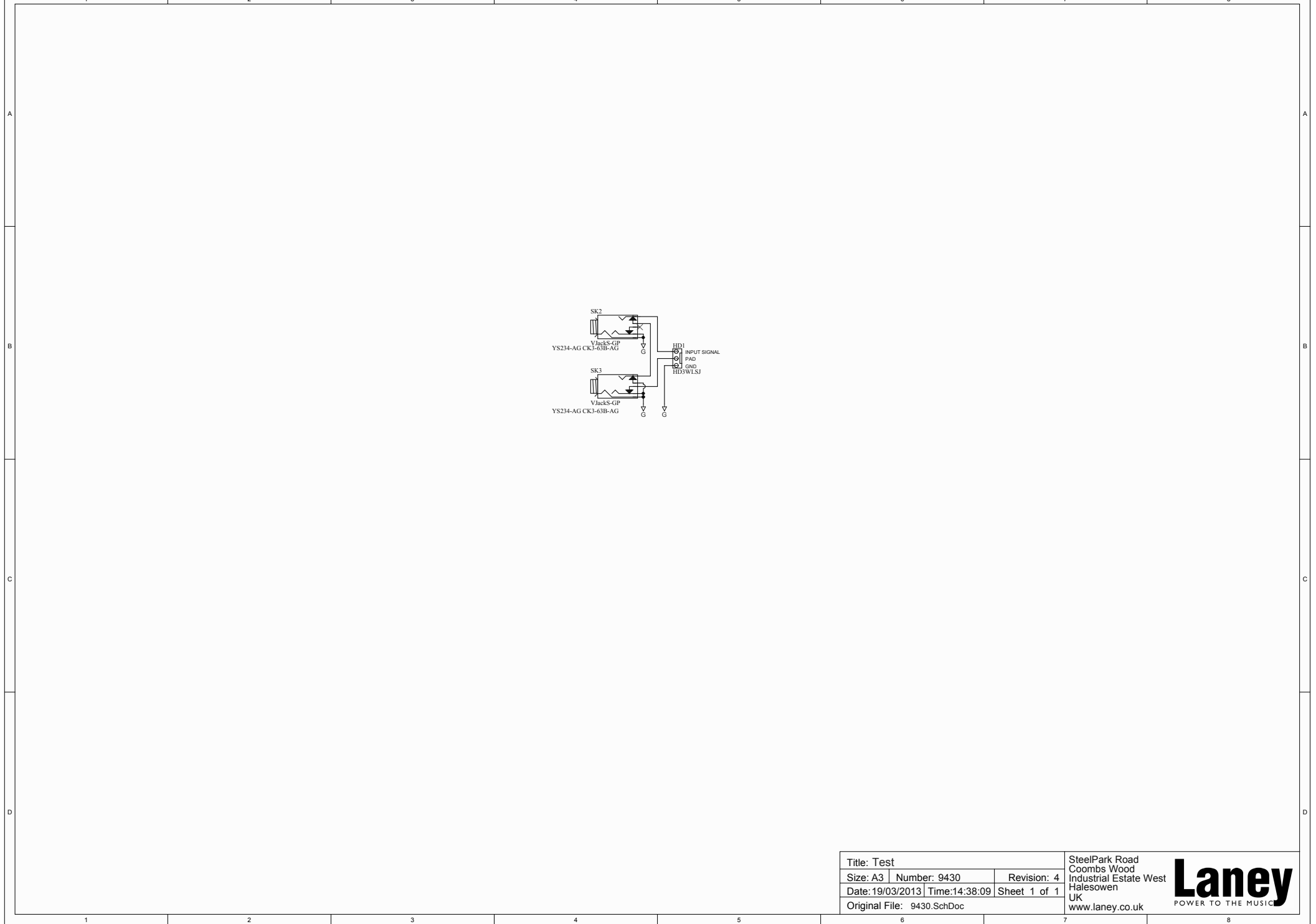
Steelpark Road
 Coombs Wood
 Industrial Estate West
 Halesowen
 UK
 www.laney.co.uk



• HP-25
 • HP-25







Title: Test		
Size: A3	Number: 9430	Revision: 4
Date: 19/03/2013	Time: 14:38:09	Sheet 1 of 1
Original File: 9430.SchDoc		

SteelPark Road
 Coombs Wood
 Industrial Estate West
 Halesowen
 UK
www.laney.co.uk



Model No. IRT-Studio (2012)					
SPARES ITEM	DESCRIPTION		PART No.	Qty. in Assy	
Transformers	115-230V	Mains Transformer 115/230V	006243	1	
	Output	Output Transformer	006241	1	
Power Sw. & Indicator Lamp	R13-448 DPST Toggle Switch		007685	1	
	Red Jewel Bulb Holder		007684	1	
Mains Inlet Skt & Fuses	MS3 IEC Mains Inlet Fused		005005	1	
	100-120V	T500mA L 20mm Spiral Wound Fuse	005566	1	
	220-240V	T250mA L 20mm Spiral Wound Fuse	005528	1	
	HT Fuse	T100mA L 20mm Spiral Wound Fuse	005586	1	
Wiring Looms	75mm 8W Ribbon Cable Loom		008001	1	
	75mm 6W Ribbon Cable Loom		007652	1	
	75mm 2W Screened Cable Loom		007494	1	
	75mm 3W Screened Cable Loom		008362	1	
	200mm 16W IDC Cable Loom		008397	1	
PCB's	9534 - IRT-Studio Channel 1 PCB Complete		008223	1	
	Clean Volume	VR1 220K Log Potentiometer 6mm Spline Shaft	004078	2	
	Rhythm Gain	VR10			
	Bass	VR9 250K Log Potentiometer 6mm Spline Shaft, Push/Pull Shaft	008070	1	
	Mid	VR12 25K Lin Potentiometer 6mm Spline Shaft, Push/Pull Shaft	008071	1	
	Treble	VR7 250K Lin Potentiometer 6mm Spline Shaft, Push/Pull Shaft	008072	1	
	Rhythm Volume	VR8 1Meg Log Potentiometer 6mm Spline (With Support Bracket)	008069	1	
	DPCO 2A 12V DC Relay Omron G5V-2-H1		007205	1	
	SPDT On-On Miniature Toggle Switch, PCB Mounted, Right Angle Vertical, 3 10 Actuator		008485	2	
	9532 - IRT-Studio Effects Loop PCB Complete		008224	1	
	Dry Record Gain	VR2 10K Lin 9mm Metal Shaft Horizontal Mount Potentiometer D shaft (Centre Detent)	008486	1	
	Level	VR1 10K Log Dual 9mm Metal Shaft Horizontal Mount Potentiometer D shaft	008487	1	
	Impedance	SW2			
	Emulation	SW3 2P2W Slide Switch (5 6 actuator), Horizontal, PCB Mount	008077	3	
	Source	SW4			
	Bypass	SW1 4P3W Slide Switch, Horizontal, PCB Mount	530023	1	
	D.I.	SK1 Male XLR - Horizontal PCB Mount	008439	1	
	Phones	SK2 6.3mm Jack Socket Horizontal Type (Stereo)	005003	1	
	FX Send	SK3			
	Loudspeaker	SK5 6.3mm Jack Socket Horizontal Type (Mono)	005002	3	
	Re Amp Send	SK8			
	Footswitch	SK6 5 Pin DIN Socket, PCB Mounted	005016	1	
	CD/MP3	SK7 3.5mm Stereo Jack Socket PCB Mount - (Insulated Plastic Bush)	007734	1	
	USB I/O	SW10 USB 2.0 Chassis Socket Type B, Angular Version	008488	1	
	9533 - IRT-Studio Main Tube PCB Complete		008222	1	
	Pre Boost	VR2 100K Log Potentiometer 6mm Spline	004062	1	
	Lead Gain	VR1 220K Log Potentiometer 6mm Spline Shaft	004078	1	
	Bass	VR4 250K Log Potentiometer 6mm Spline Shaft, Push/Pull Shaft	008070	1	
	Mid	VR6 25K Lin Potentiometer 6mm Spline Shaft, Push/Pull Shaft	008071	1	
	Treble	VR3 250K Lin Potentiometer 6mm Spline Shaft, Push/Pull Shaft	008072	1	
	Lead Volume	VR5 1Meg Log Potentiometer 6mm Spline (With Support Bracket)	008069	1	
	Dynamics	VR13 220K Log 6mm Spline Potentiometer (With Support Bracket)	008073	1	
	Tone	VR14 220K Lin 6mm Spline Dual Potentiometer	007535	1	
	Reverb	VR11 10K Log 6mm Spline Potentiometer (With Support Bracket)	008074	1	
	DPCO 2A 12V DC Relay Omron G5V-2-H1		007205	3	
	SPDT On-On Miniature Toggle Switch, PCB Mounted, Right Angle Vertical, 3 10 Actuator		008485	2	
	1.6A Polyswitch		007403	2	
	6A Polyswitch		007390	1	
	1000uF 25V Radial Electrolytic Capacitor		002009	2	
	LM7815 15V Positive 1A Fixed Voltage Regulator		003901	1	
	LM7915 15V Negative 1A Fixed Voltage Regulator		003902	1	
	9535 - IRT-Studio Output Tube PCB Complete		008221	1	
	9430 - Dual Jack Input PCB Complete		008527	1	
	Tubes	V1	ECC83 Tubes	005571	1
		V2,3	ECC83 Tubes	005550	2
		V4,5	EL84 Matched Tubes	005562	2
	Cabinet	25mm Black Thumb Grip Control Knob DRG REF:4352		008344	15
		25mm Knob Cup (2011) Red Drg Ref: 4353		008201	6
		25mm Knob Cup (2011) Black Drg Ref: 4353		008202	9
		10mm Small Black/White line control knob - D Shaft (Rear Panel)		008495	1
20mm X 12mm Rubber Foot with Steel Insert		007607	4		
IRT-Studio Painted Printed Chassis		008524	1		
IRT-Studio Painted Printed Top Cover		008525	1		
IRT-Studio Painted Internal Brace		008526	1		
2U Alloy Rack Handle (Black)		008225	1		
FS4-IRT Foot Switch		FS4-IRT	1		
Footswitch Cable (Din 5 pin) 5 metre		010640	1		
Mains Lead - Country Dependant			1		
IRT-Studio Gig Bag		008489	1		
IRT-Studio User Manual		008227	1		
IRT-Studio Carton		008491	1		