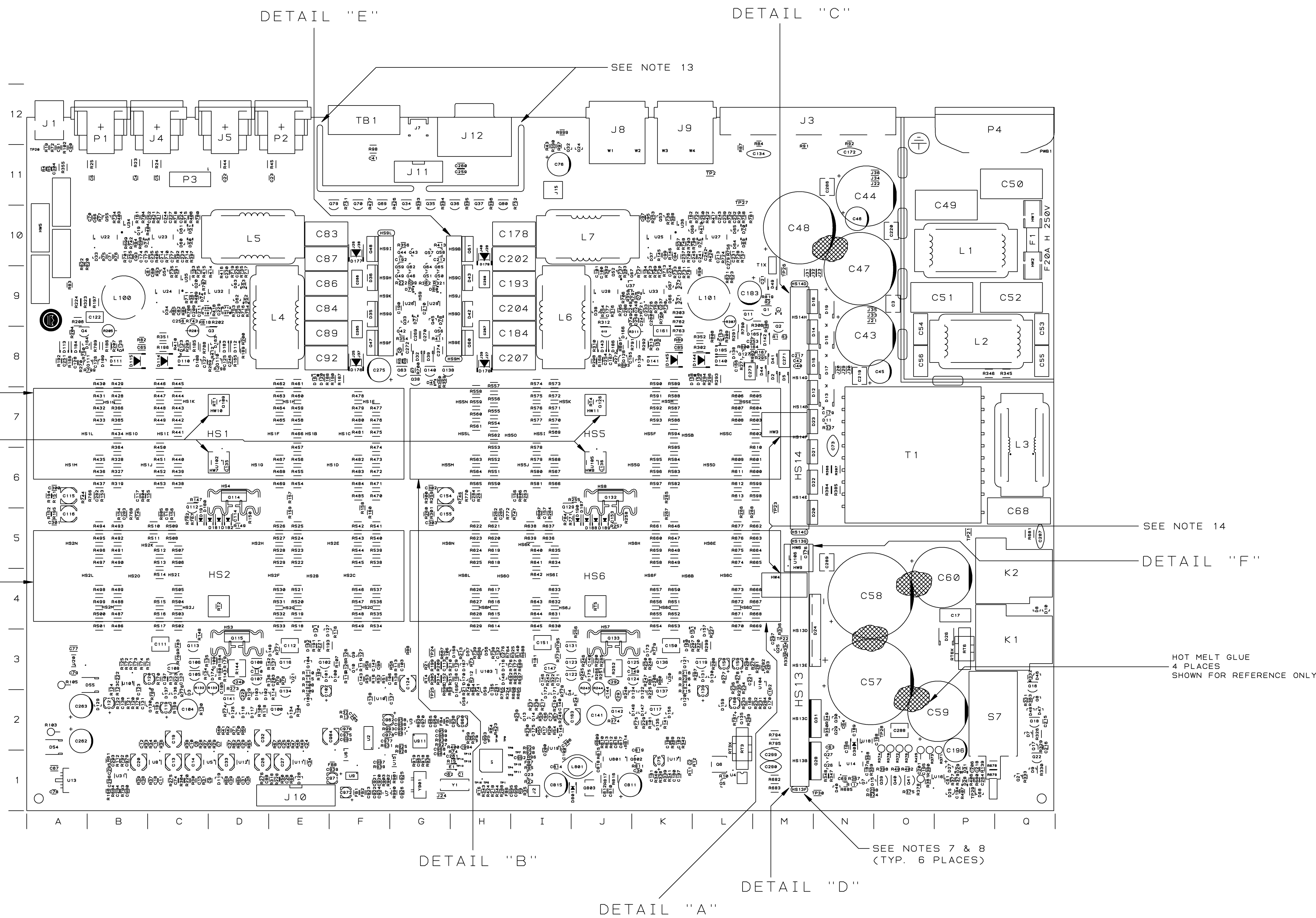


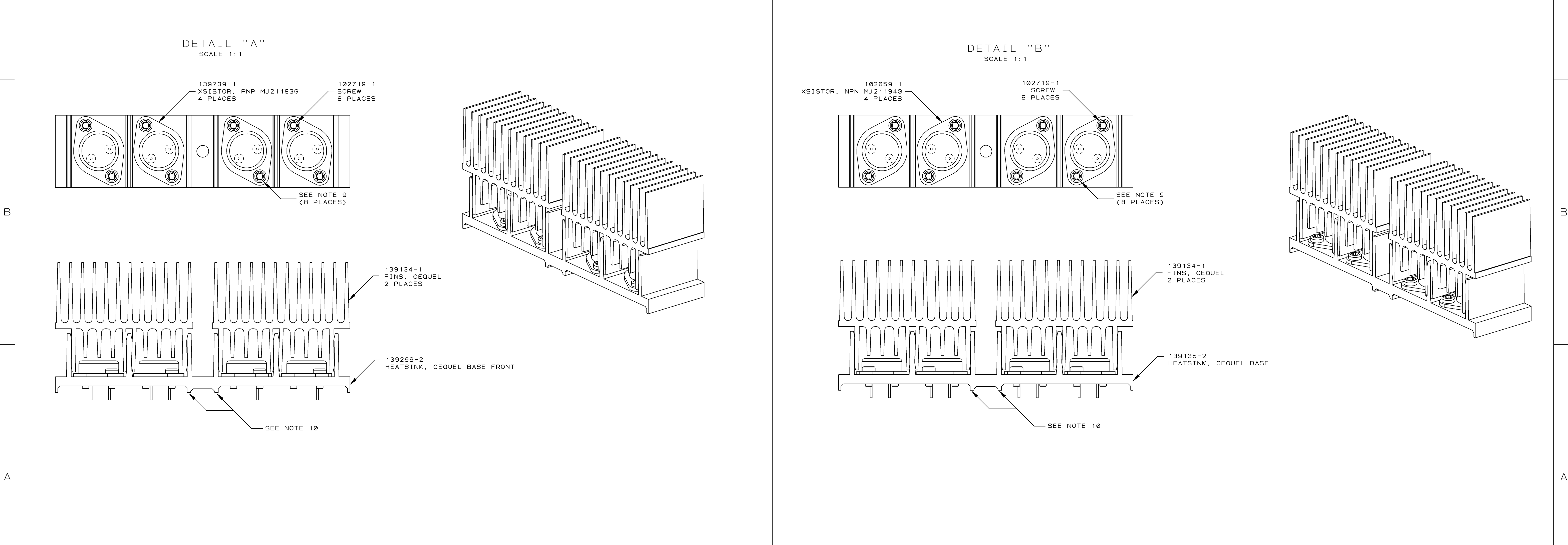
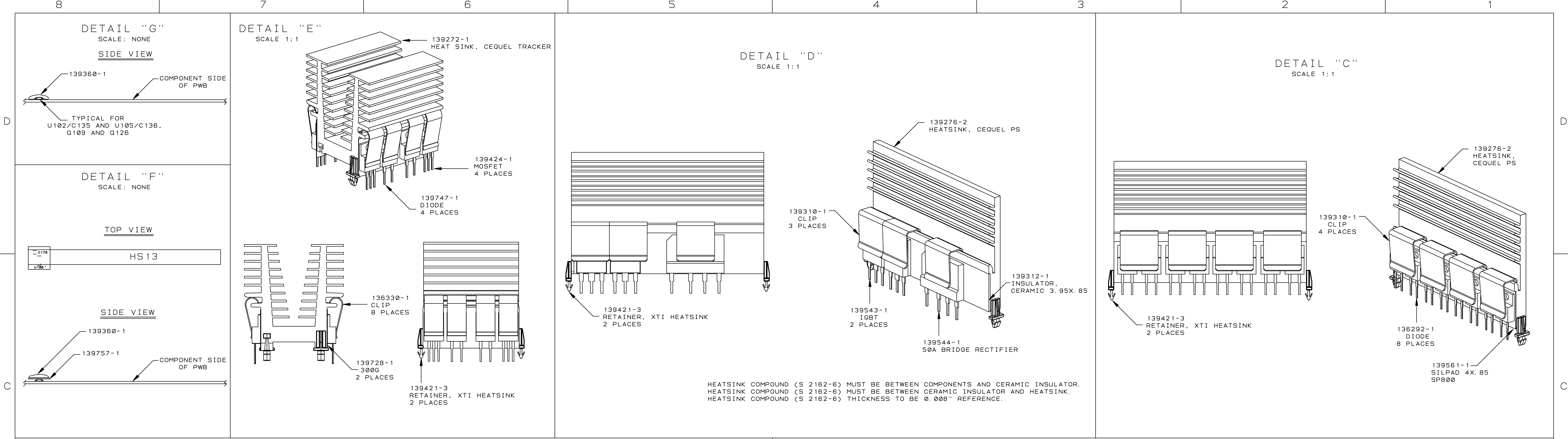
REVISION HISTORY						
E. C. N.	ZONE	REV	DESCRIPTION	DATE	APPROVED	PE
		A	SEE 139404-7_A.XLS FOR DATA AND REVISION HISTORY	11-13-06	KLW	DSV
33191		B	SEE 139404-7_B.XLS FOR DATA AND REVISION HISTORY	11-20-06	JFL	KZ
33486		C	SEE 139404-7_C.XLS FOR DATA AND REVISION HISTORY	01-23-07	KLW	KZ

COMPONENT MAP
TOP SIDE

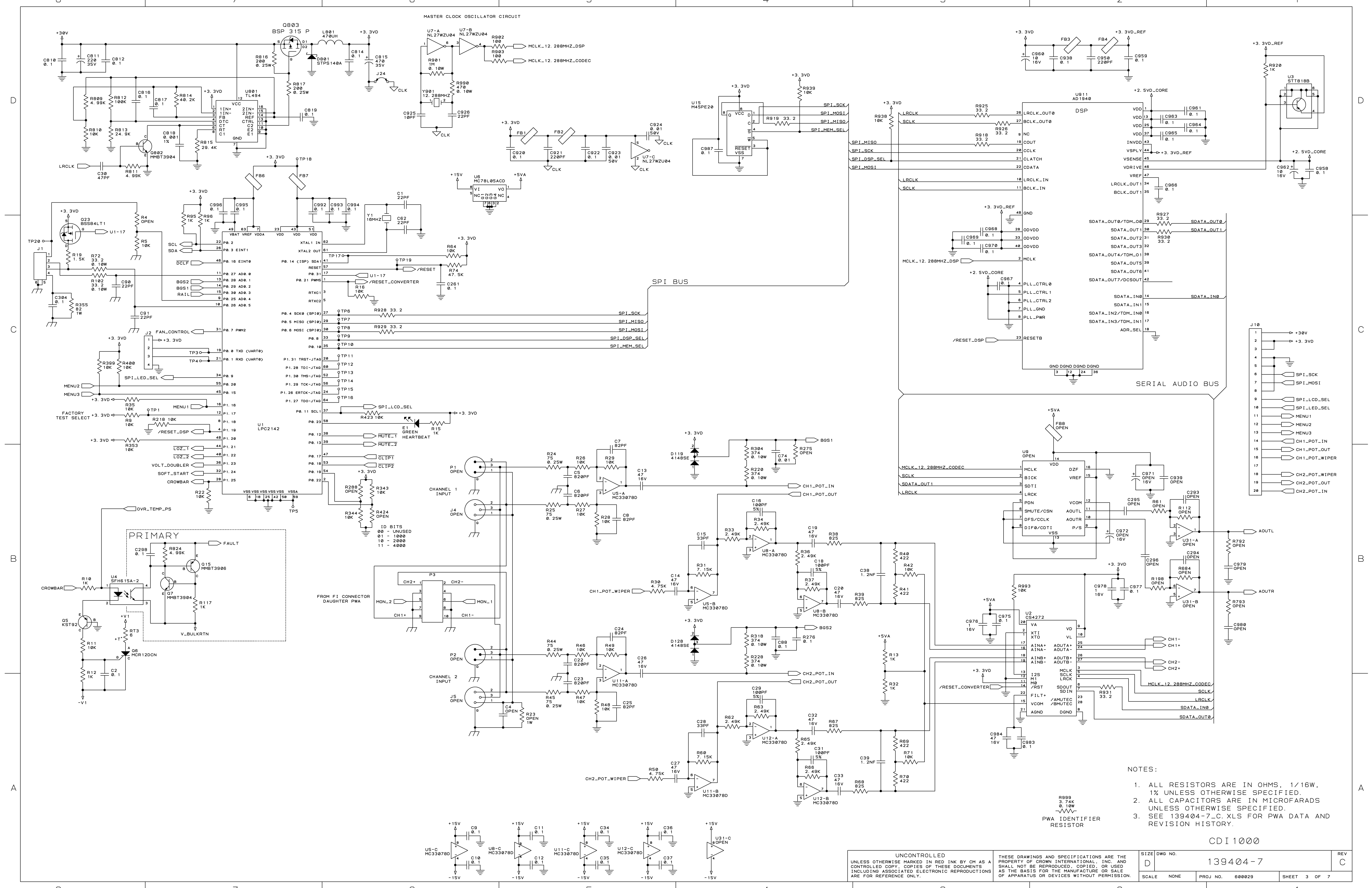


UNCONTROLLED
UNLESS OTHERWISE MARKED IN RED INK BY CM AS A
CONTROLLED COPY. COPIES OF THESE DOCUMENTS
INCLUDING ASSOCIATED ELECTRONIC REPRODUCTIONS
ARE FOR REFERENCE ONLY.
THESE DRAWINGS AND SPECIFICATIONS ARE THE
PROPERTY OF CROWN INTERNATIONAL, INC. AND
SHALL NOT BE REPRODUCED, COPIED, OR USED
AS THE BASIS FOR THE MANUFACTURE OR SALE
OF APPARATUS OR DEVICES WITHOUT PERMISSION.

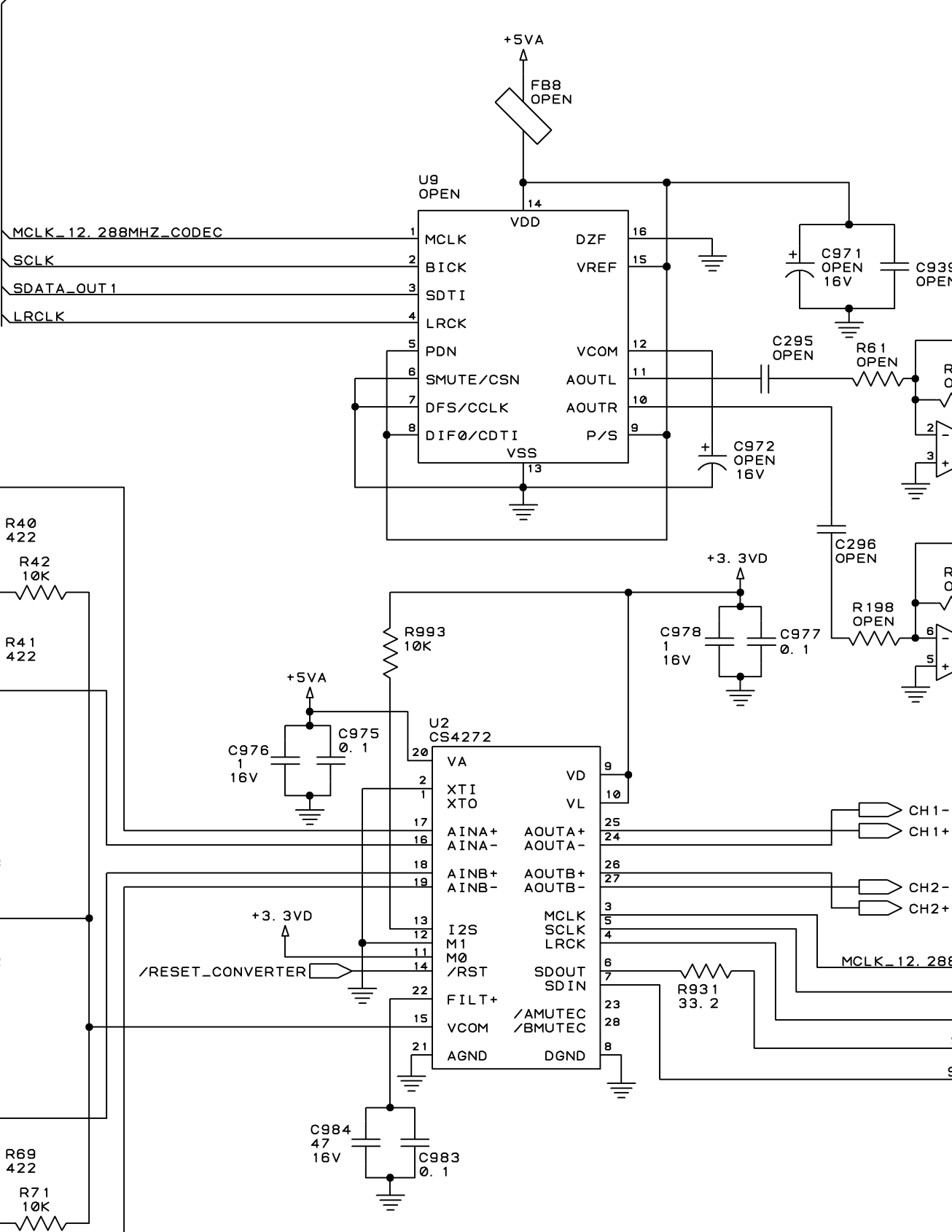
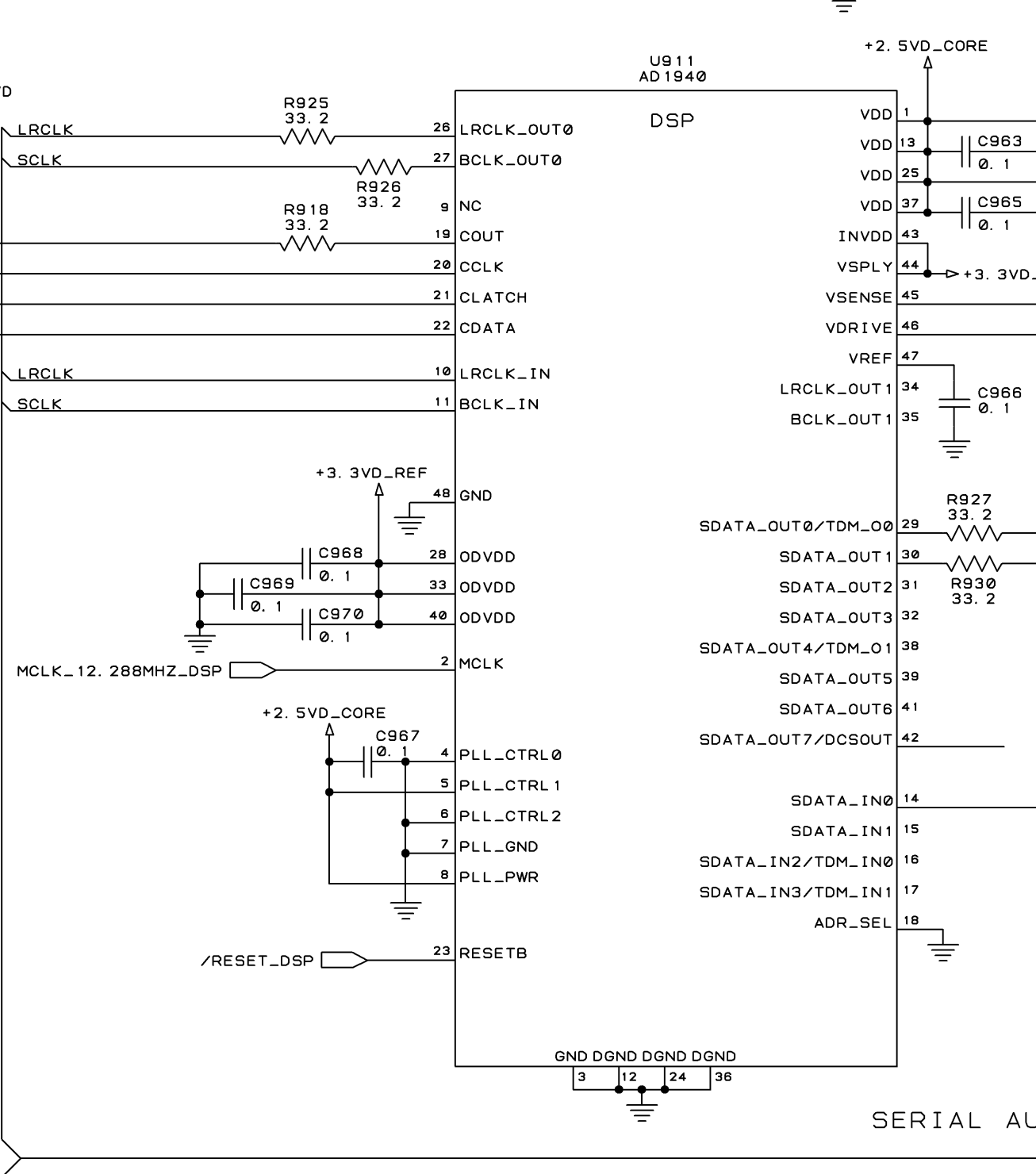
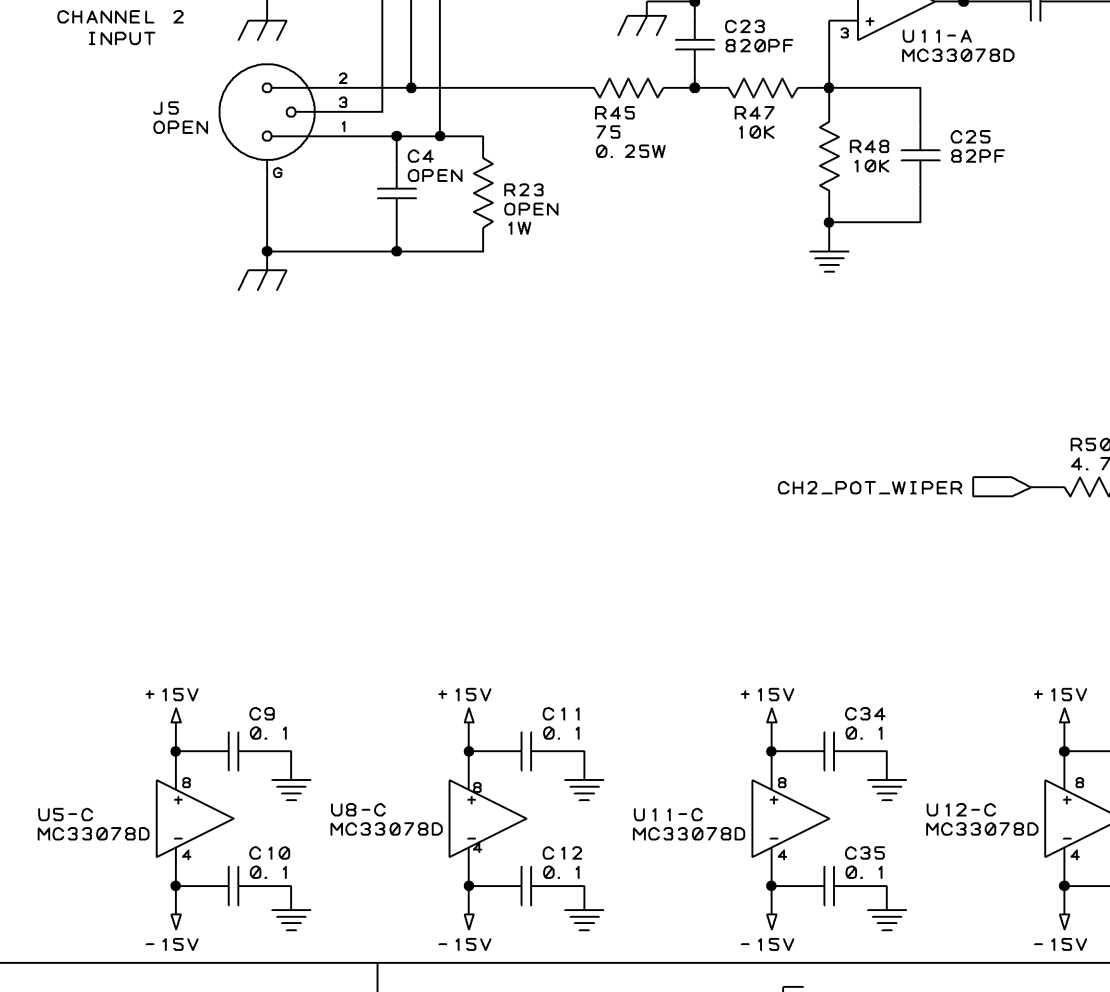
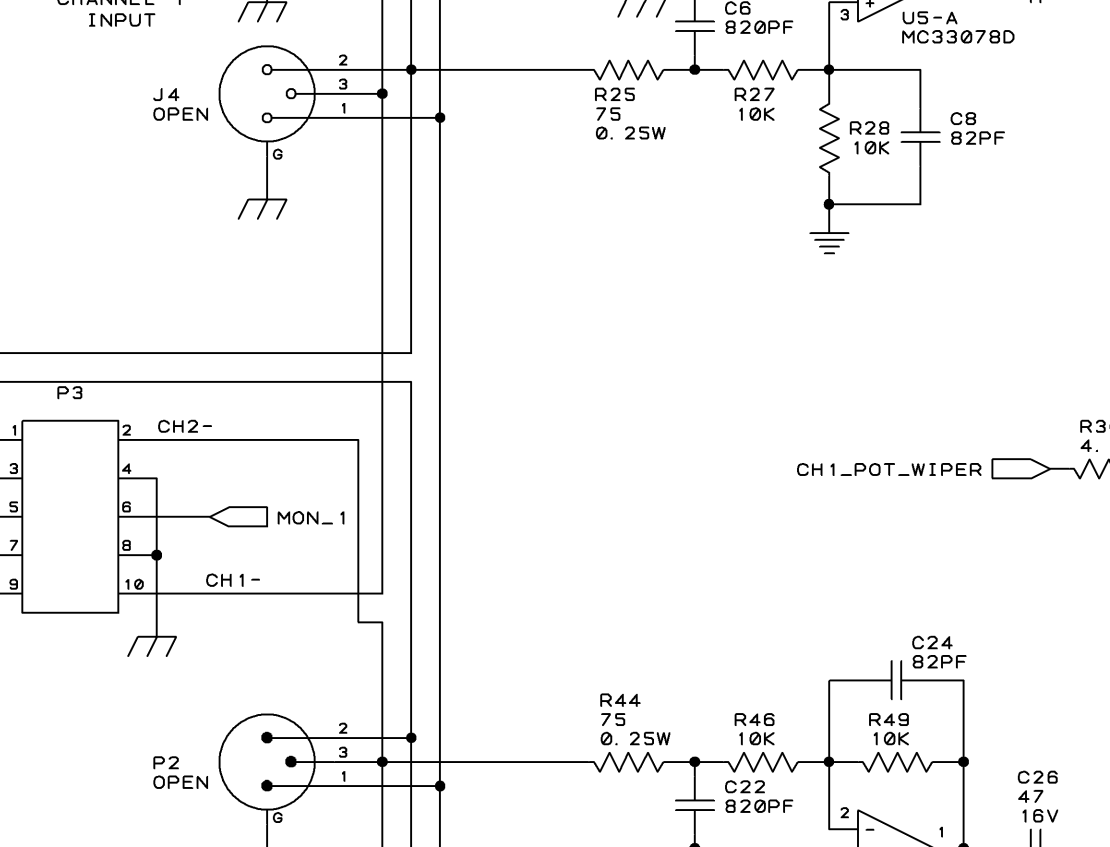
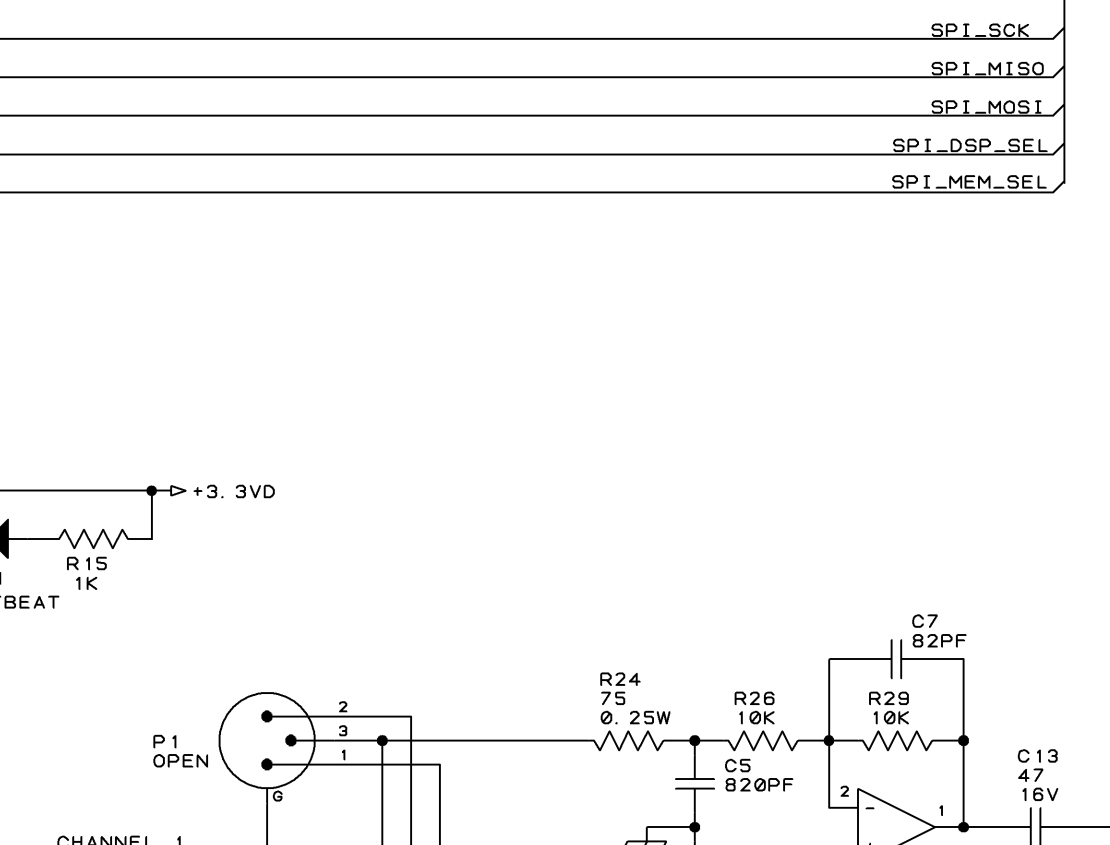
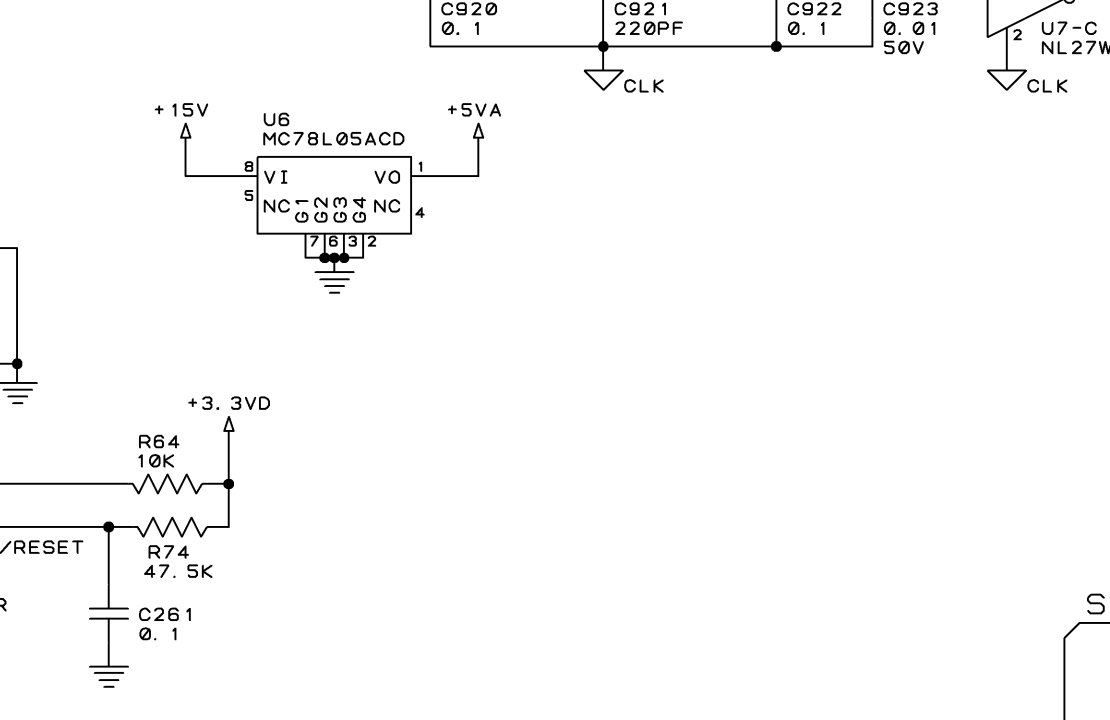
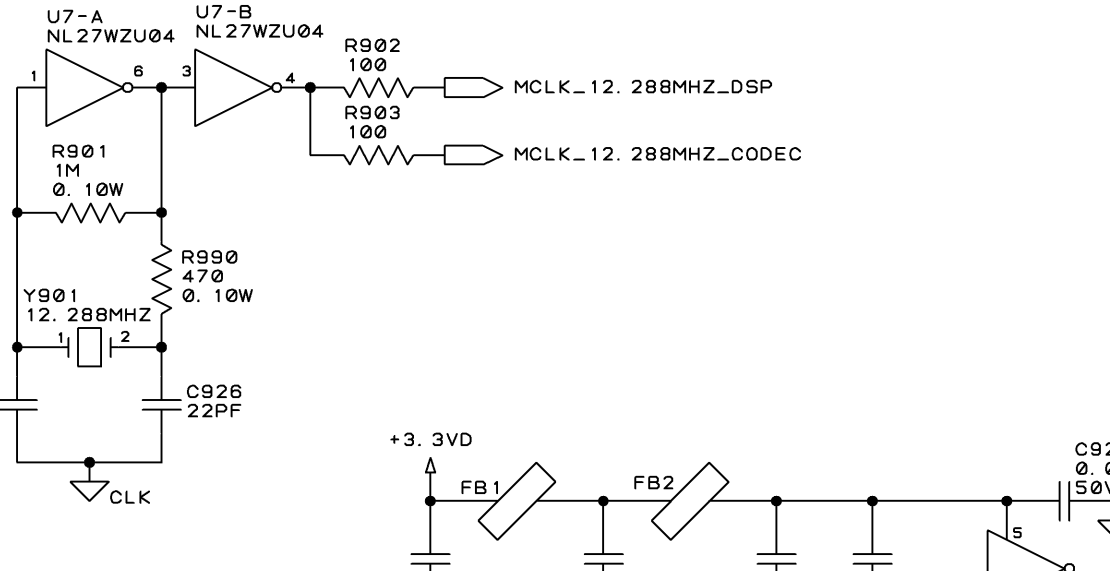
DWN	KLW	11-13-06	CROWN H A Harman International Company 1718 WEST MISHAWAKA RD. PHONE 574-284-8000 ELKHART, IN, 46517 WWW.CROWNAUDIO.COM
CM	DSV	11-15-06	
PE	SC	11-13-06	
DISTRIBUTION			TITLE
K			PWA, CDI1000
FILENAME			
139404-7_C.PCB			
TOLERANCE UNLESS OTHERWISE SPECIFIED			
.00 = ±.02"			
.000 = ±.010"			
DRILLS = ±.003"			
DO NOT SCALE DRAWING			
SIZE	DWG NO.	REV	
D	139404-7	C	
SCALE	FULL	PROJ NO.	600029
SHEET 1 OF 7			



UNCONTROLLED UNLESS OTHERWISE MARKED IN RED INK BY CM AS A CONTROLLED COPY, COPIES OF THESE DOCUMENTS INCLUDING ASSOCIATED ELECTRONIC REPRODUCTIONS ARE FOR REFERENCE ONLY.	THESE DRAWINGS AND SPECIFICATIONS ARE THE PROPERTY OF CROWN INTERNATIONAL, INC. AND SHALL NOT BE REPRODUCED, COPIED, OR USED AS THE BASIS FOR THE MANUFACTURE OR SALE OF APPARATUS OR DEVICES WITHOUT PERMISSION.		SIZE D	DWG NO. 139404-7	REV C
	SCALE FULL	PROJ NO. 600029	SHEET 2 OF 7		



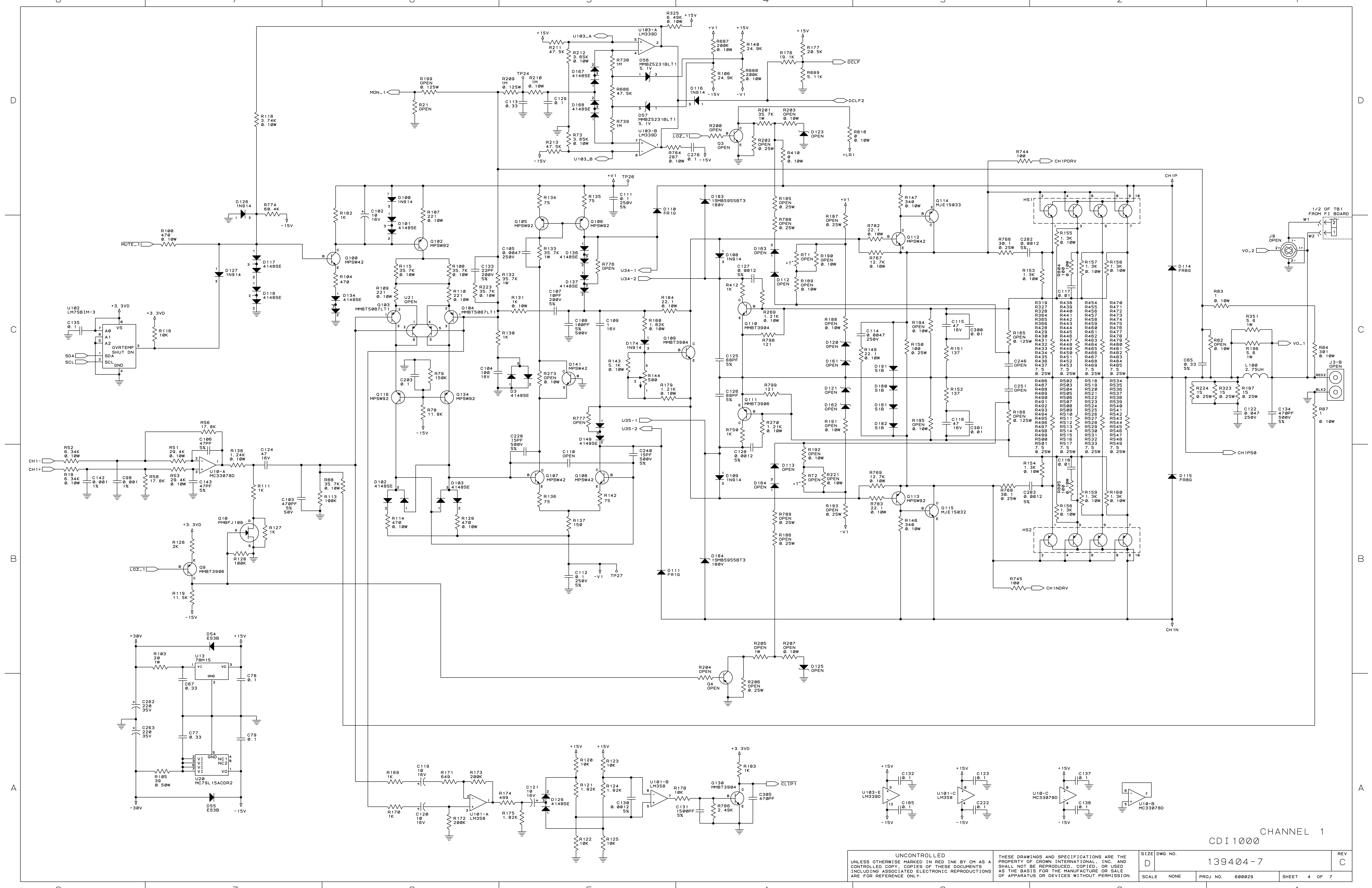
MASTER CLOCK OSCILLATOR CIRCUIT



- NOTES:
1. ALL RESISTORS ARE IN OHMS, 1/16W, 1% UNLESS OTHERWISE SPECIFIED.
 2. ALL CAPACITORS ARE IN MICROFARADS UNLESS OTHERWISE SPECIFIED.
 3. SEE 139404-7_C.XLS FOR PWA DATA AND REVISION HISTORY.

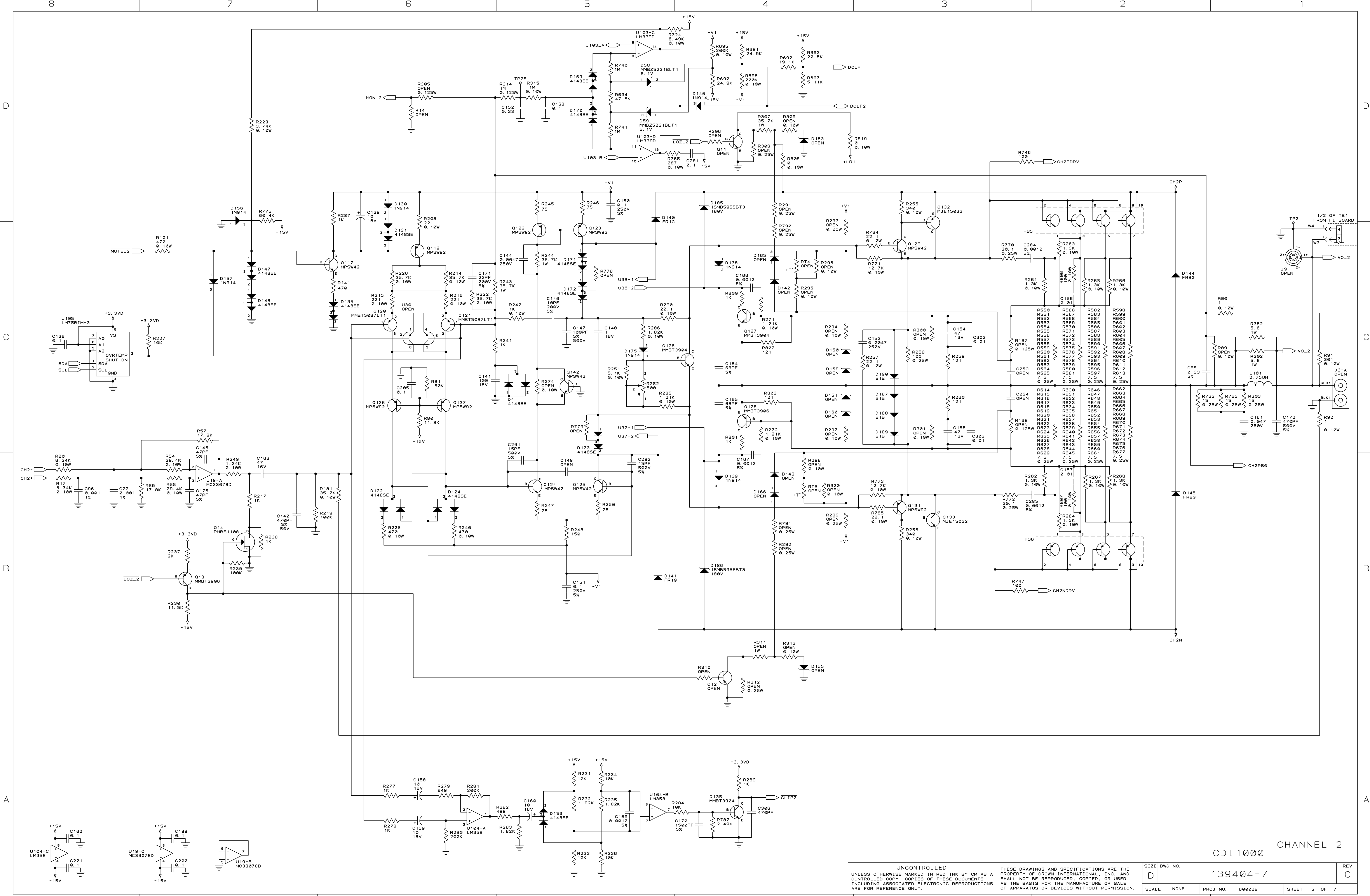
CDI 1000

UNCONTROLLED UNLESS OTHERWISE MARKED IN RED INK BY CM AS A CONTROLLED COPY. COPIES OF THESE DOCUMENTS INCLUDING ASSOCIATED ELECTRONIC REPRODUCTIONS ARE FOR REFERENCE ONLY.		THESE DRAWINGS AND SPECIFICATIONS ARE THE PROPERTY OF CROWN INTERNATIONAL, INC. AND SHALL NOT BE REPRODUCED, COPIED, OR USED AS THE BASIS FOR THE MANUFACTURE OR SALE OF APPARATUS OR DEVICES WITHOUT PERMISSION.		SIZE D	DWG NO. 139404-7	REV C
SCALE NONE	PROJ NO. 600029	SHEET 3 OF 7				



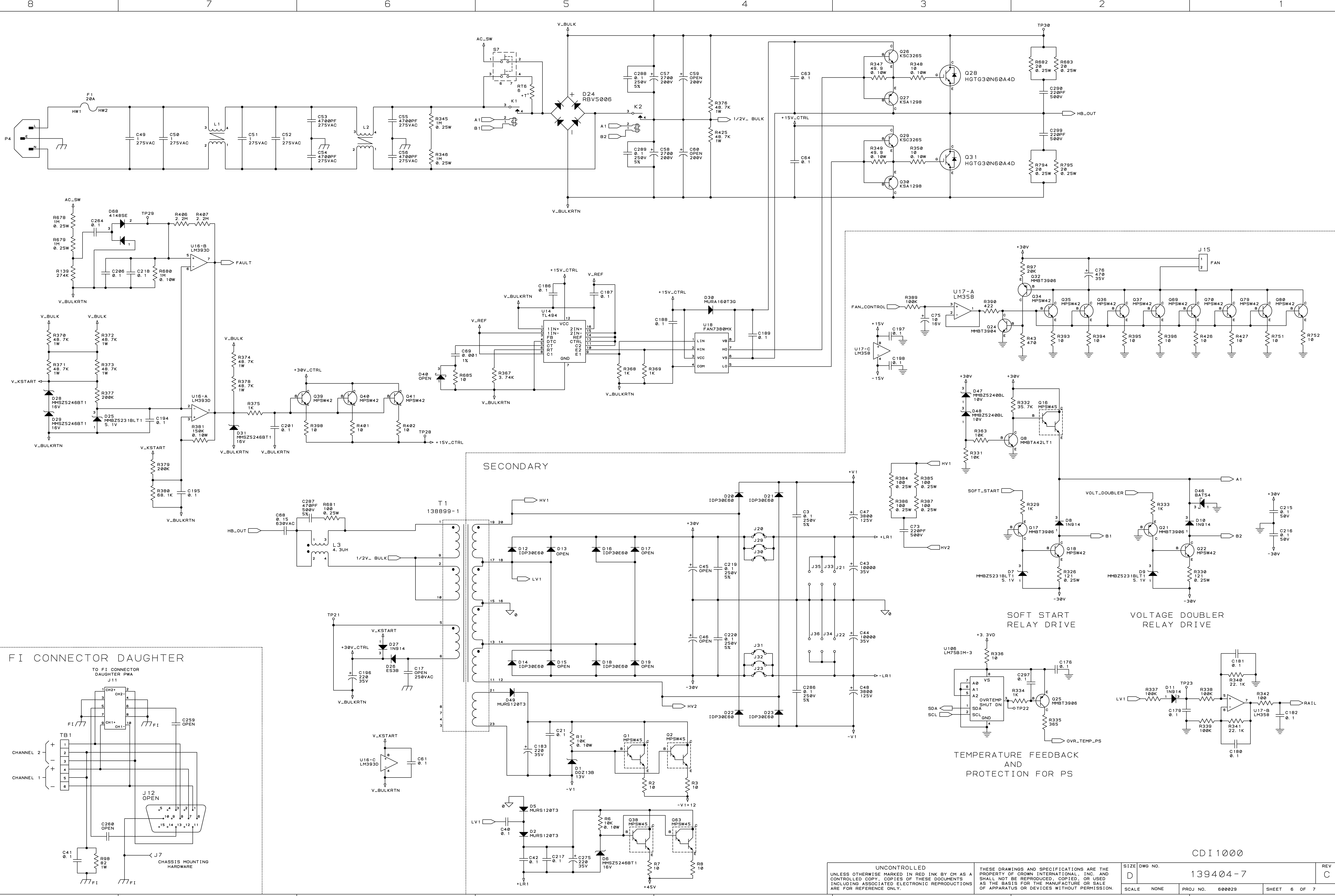
CHANNEL 1
CDI 1000

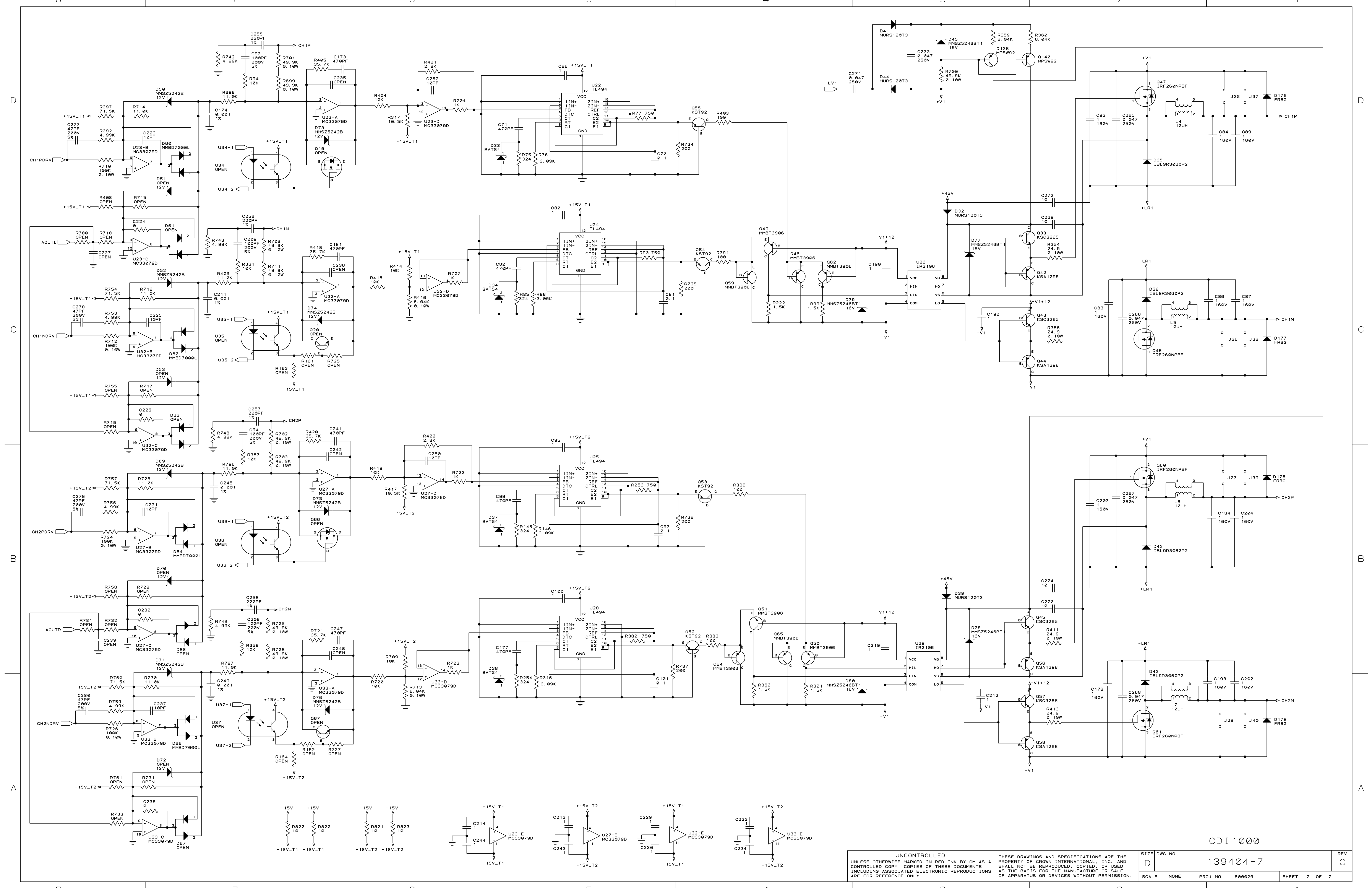
UNCONTROLLED UNLESS OTHERWISE MARKED IN RED INK BY CM AS A CONTROLLED COPY. COPIES OF THESE DOCUMENTS INCLUDING ASSOCIATED ELECTRONIC REPRODUCTIONS ARE FOR REFERENCE ONLY.		THESE DRAWINGS AND SPECIFICATIONS ARE THE PROPERTY OF CROWN INTERNATIONAL, INC. AND SHALL NOT BE REPRODUCED, COPIED, OR USED AS THE BASIS FOR THE MANUFACTURE OR SALE OF APPARATUS OR DEVICES WITHOUT PERMISSION.		SIZE D	DWG NO. 139404-7	REV C
SCALE NONE	PROJ NO. 600029	SHEET 4 OF 7				



CDI 1000 CHANNEL 2

UNCONTROLLED UNLESS OTHERWISE MARKED IN RED INK BY CM AS A CONTROLLED COPY. COPIES OF THESE DOCUMENTS INCLUDING ASSOCIATED ELECTRONIC REPRODUCTIONS ARE FOR REFERENCE ONLY.		THESE DRAWINGS AND SPECIFICATIONS ARE THE PROPERTY OF CROWN INTERNATIONAL, INC. AND SHALL NOT BE REPRODUCED, COPIED, OR USED AS THE BASIS FOR THE MANUFACTURE OR SALE OF APPARATUS OR DEVICES WITHOUT PERMISSION.		SIZE D	DWG NO. 139404-7	REV C
SCALE	NONE	PROJ NO.	600029	SHEET	5 OF 7	





CDI 1000

UNCONTROLLED UNLESS OTHERWISE MARKED IN RED INK BY CM AS A CONTROLLED COPY. COPIES OF THESE DOCUMENTS INCLUDING ASSOCIATED ELECTRONIC REPRODUCTIONS ARE FOR REFERENCE ONLY.		THESE DRAWINGS AND SPECIFICATIONS ARE THE PROPERTY OF CROWN INTERNATIONAL, INC. AND SHALL NOT BE REPRODUCED, COPIED, OR USED AS THE BASIS FOR THE MANUFACTURE OR SALE OF APPARATUS OR DEVICES WITHOUT PERMISSION.		SIZE D	DWG NO. 139404-7	REV C
SCALE	NONE	PROJ NO.	600029	SHEET	7 OF 7	