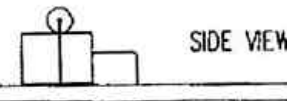
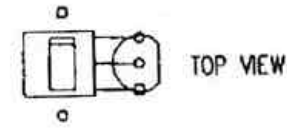


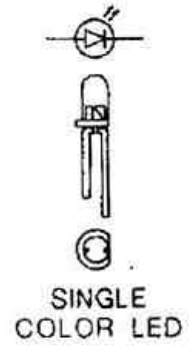
REVISION HISTORY

ZONE	REV	DESCRIPTION	SIGNATURE	DATE
-	A	RELEASED		3-6-94
-	A1	ECO 8902		
-	A2	Added "+" TO CAPS		

CR10 OVER Q13  
CR15 OVER Q14  
CR16 OVER Q15  
CR2 OVER Q3  
CR7 OVER Q4  
CR8 OVER Q5



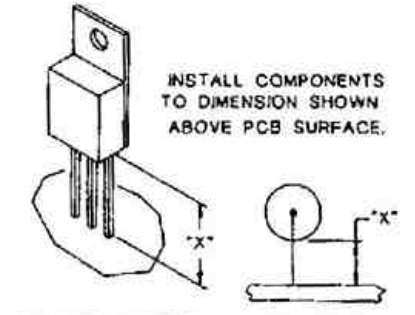
FOLD TRANSISTOR AS SHOWN AND INSTALL DIODE IN FULL CONTACT WITH TRANSISTOR.



SINGLE COLOR LED

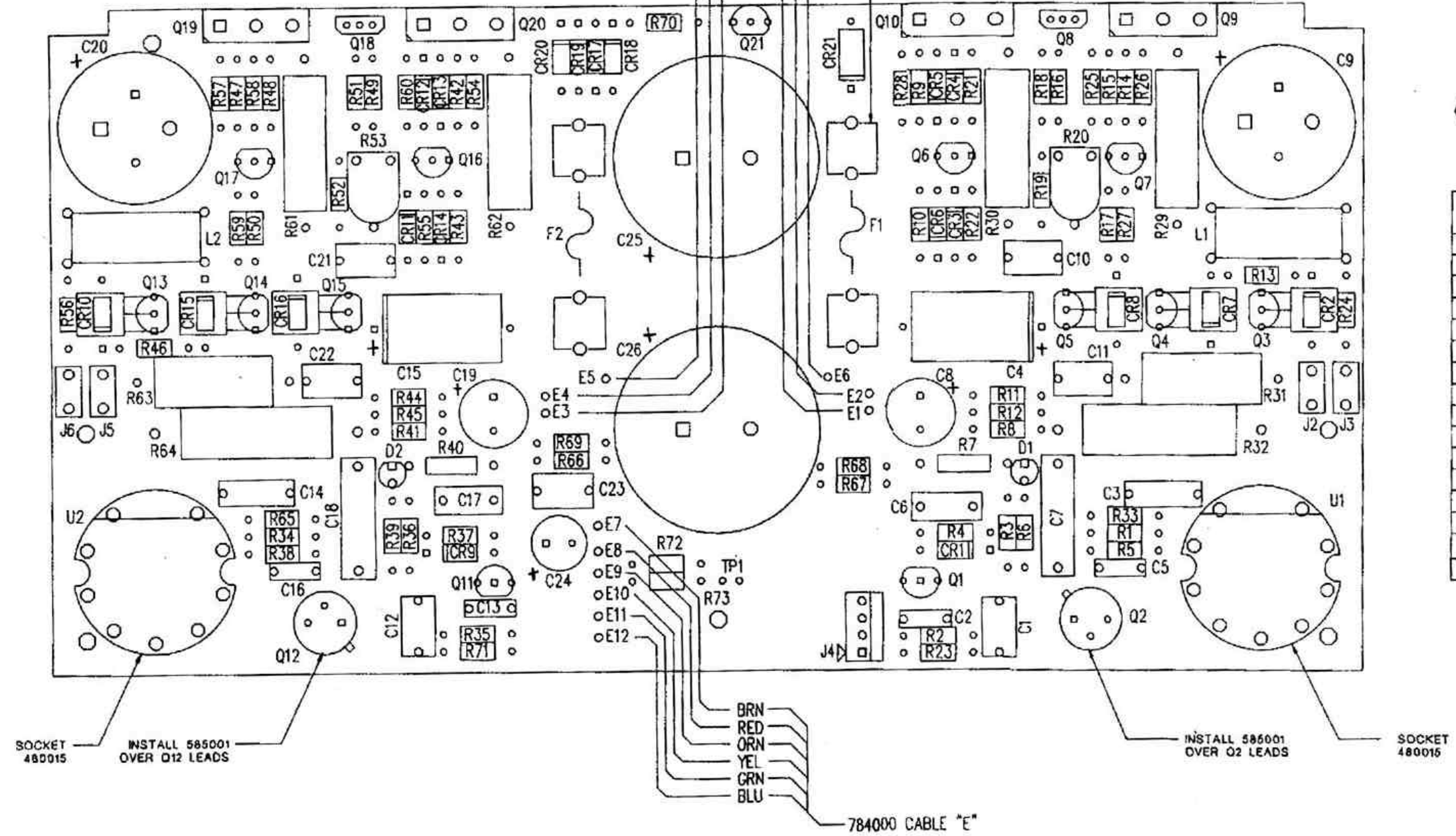
784000 CABLE "C"  
PEPI SWITCH :287009  
784000 CABLE "B"  
784000 CABLE "A"  
784000 CABLE "D"

FUSE CLIP 490018, 4PL



INSTALL COMPONENTS TO DIMENSION SHOWN ABOVE PCB SURFACE.

COMPONENT	"X" DIM.
Q8	.40
Q18	.40
Q9	.30
Q10	.30
Q19	.30
Q20	.30
R61	.15 - .20
R62	.15 - .20
R63	.15 - .20
R64	.15 - .20
R29	.15 - .20
R30	.15 - .20
R31	.15 - .20
R32	.15 - .20
L1	.15 - .20
L2	.15 - .20



SOCKET 480015  
INSTALL 585001 OVER Q12 LEADS

INSTALL 585001 OVER Q2 LEADS  
SOCKET 480015

784000 CABLE "E"



THIS DRAWING DOCUMENT CONTAINS INFORMATION WHICH IS PROPRIETARY TO AND THE PROPERTY OF ADA, INC. AND MAY NOT BE USED, REPRODUCED OR DISCLOSED IN ANY MANNER WITHOUT THE EXPRESSED CONSENT OF ADA, INC.

**ADA SIGNAL PROCESSORS, INC.**  
420 LESSER STREET, OAKLAND, CA 94601

FILE NAME: C891RA.DWG  
CHECKED BY: jly  
DATE: \_\_\_\_\_  
APPROVED BY: \_\_\_\_\_  
DATE: \_\_\_\_\_

TITLE: 2X12 COMBO (780612)  
POWER AMP PCB ASSEMBLY

DRAWN BY: RON FARAR  
ENGR: \_\_\_\_\_  
SCALE: 2:1

SIZE: C	DRAWING NO.: 891	REV: A2
DATE: 3-6-94	SHEET 1 OF 3	

© COPYRIGHT 1993