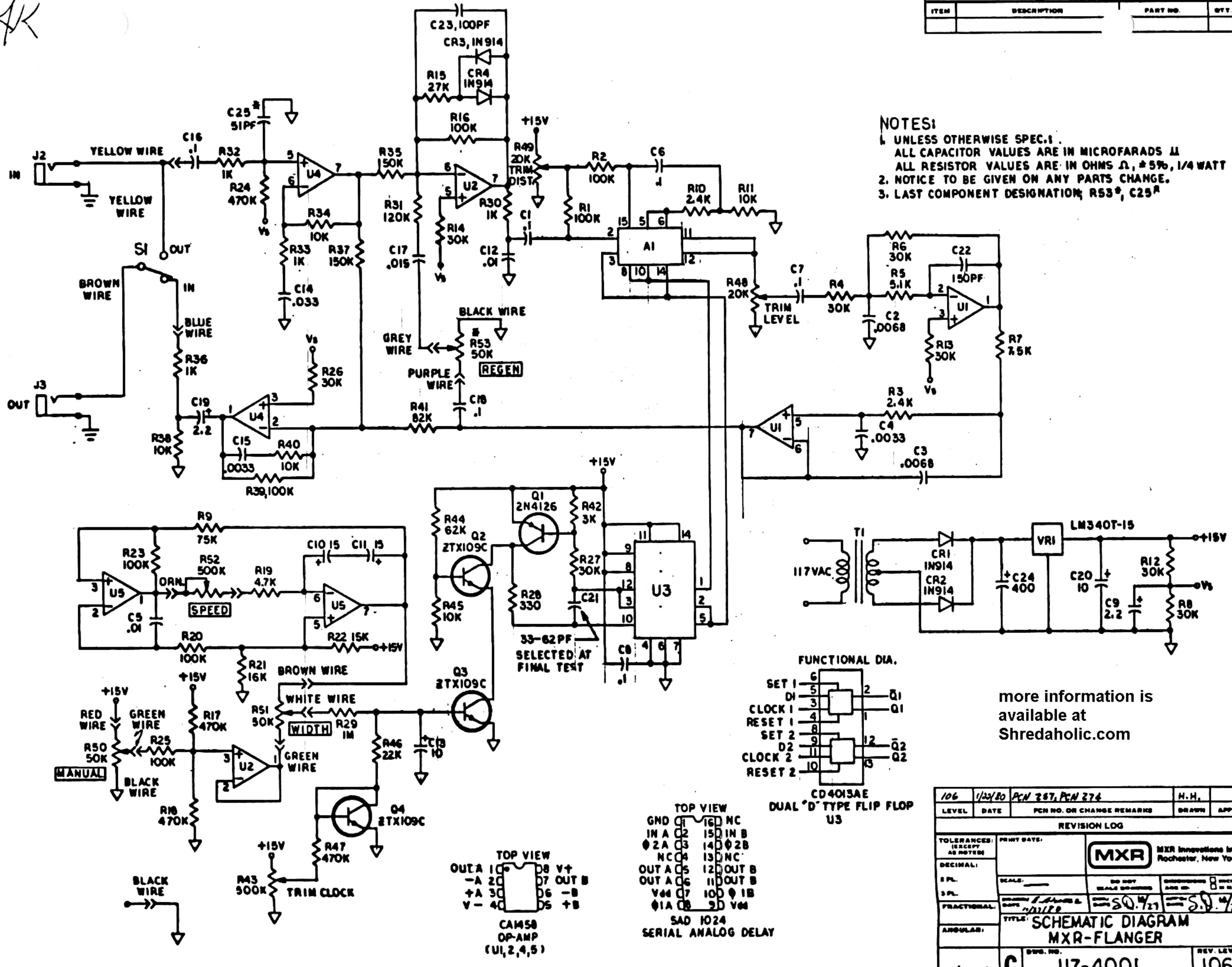
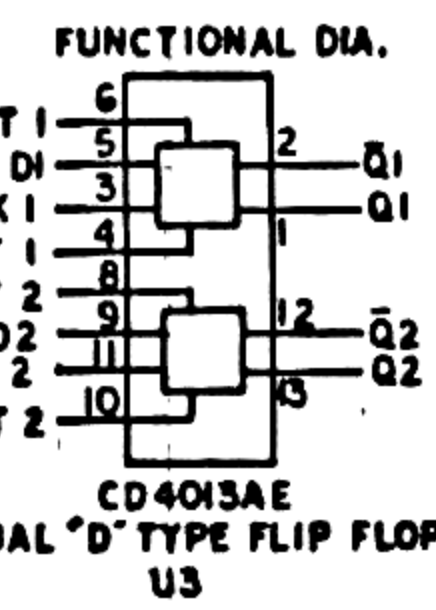


AK

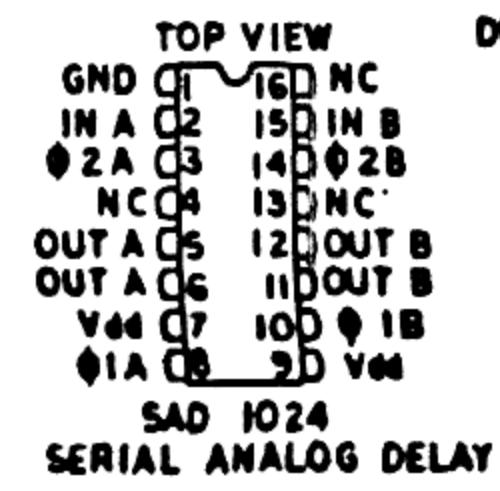
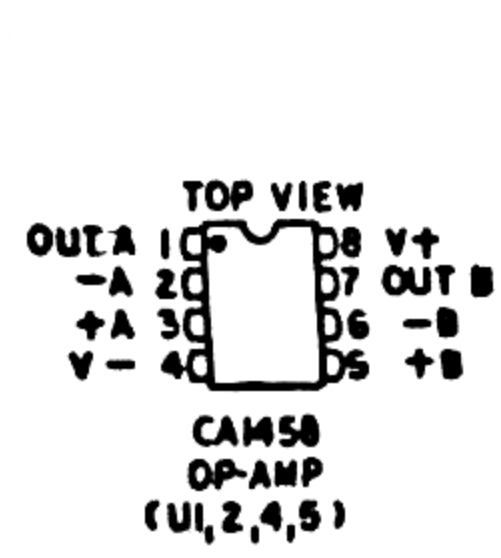
PARTS LIST			
ITEM	DESCRIPTION	PART NO.	QTY.



NOTES:
 1. UNLESS OTHERWISE SPEC. I
 ALL CAPACITOR VALUES ARE IN MICROFARADS μ
 ALL RESISTOR VALUES ARE IN OHMS Ω , $\pm 5\%$, 1/4 WATT
 2. NOTICE TO BE GIVEN ON ANY PARTS CHANGE.
 3. LAST COMPONENT DESIGNATION: R53*, C25*



more information is available at Shredaholic.com

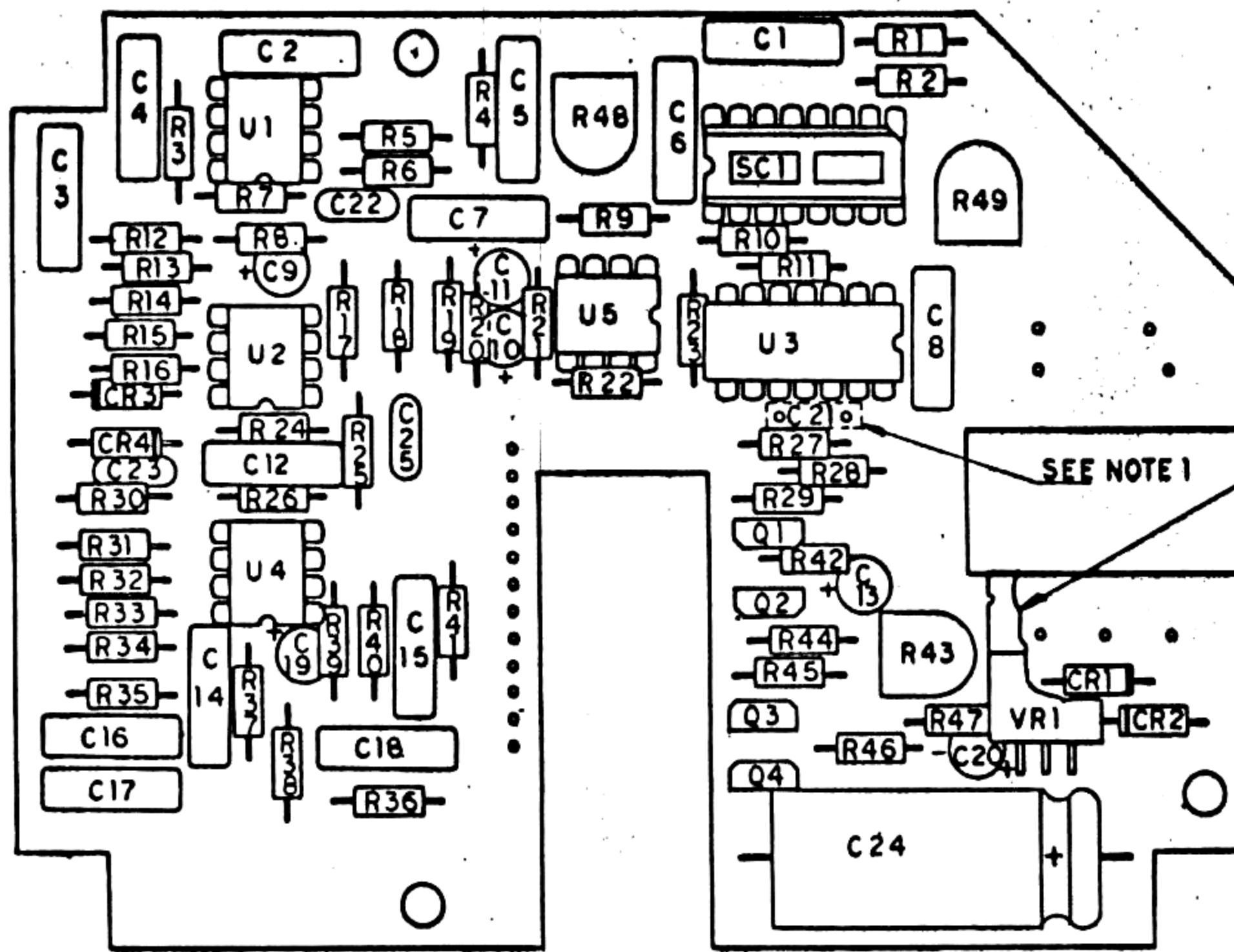


106	1/25/80	PCN 287, PCN 274	H.H.
LEVEL	DATE	PCN NO. OR CHANGE REMARKS	DRAWN APP'D
REVISION LOG			
TOLERANCES: (EXCEPT AS NOTED)	PRINT DATE:	MXR MXR Innovations Inc. Rochester, New York	
DECIMAL:	SCALE:		
5 PL.	DO NOT SCALE DIMENSIONS AND FIT	DATE: 5.0.7/27	REV. LEVEL: 106
3 PL.	DATE: 5.0.7/27	TITLE: SCHEMATIC DIAGRAM MXR-FLANGER	
FRACTIONAL:	DATE: 5.0.7/27	REV. NO. C	
ANGULAR:	DATE: 5.0.7/27	REV. LEVEL 106	
No. 1 of 1		117-4001	

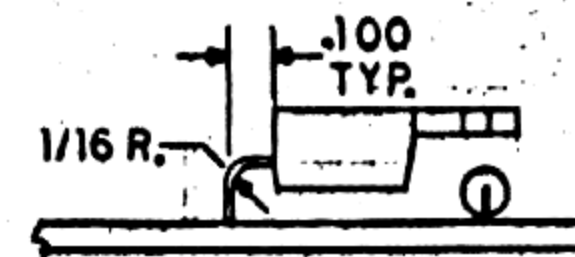
NOTES:

1. CAPACITOR VALUE TO BE SELECTED
FINAL TEST.

PARTS LIST			
ITEM	DESCRIPTION	PART NO.	QTY.



COMPONENT SIDE



REGULATOR MTG.
DETAIL A

LEVEL	DATE	PCN NO. OR CHANGE REMARKS	DRAWN	APP'D
—	1-19-81	REVISED DETAIL A	H.H.	GM
306	7-80	PCN 257, 274	H.H.	JHL
305	6-80	PCN 251	H.H.	JHL

REVISION LOG			
TOLERANCES: (EXCEPT AS NOTED)	PRINT DATE:	MXR Innovations Inc. Rochester, New York	
DECIMAL:			
1 PL.	SCALE: 2:1	DO NOT SCALE DRAWING	DIMENSIONS ARE IN: <input type="checkbox"/> INCHES <input checked="" type="checkbox"/> MM
FRACTIONAL:	DATE: 10-80	DATE: 10-80	DATE: 10-80
ANGULAR:	TITLE: COMPONENT PLACEMENT FLANGER		
Dwg. No. C 117-3001		REV. LEVEL 306	