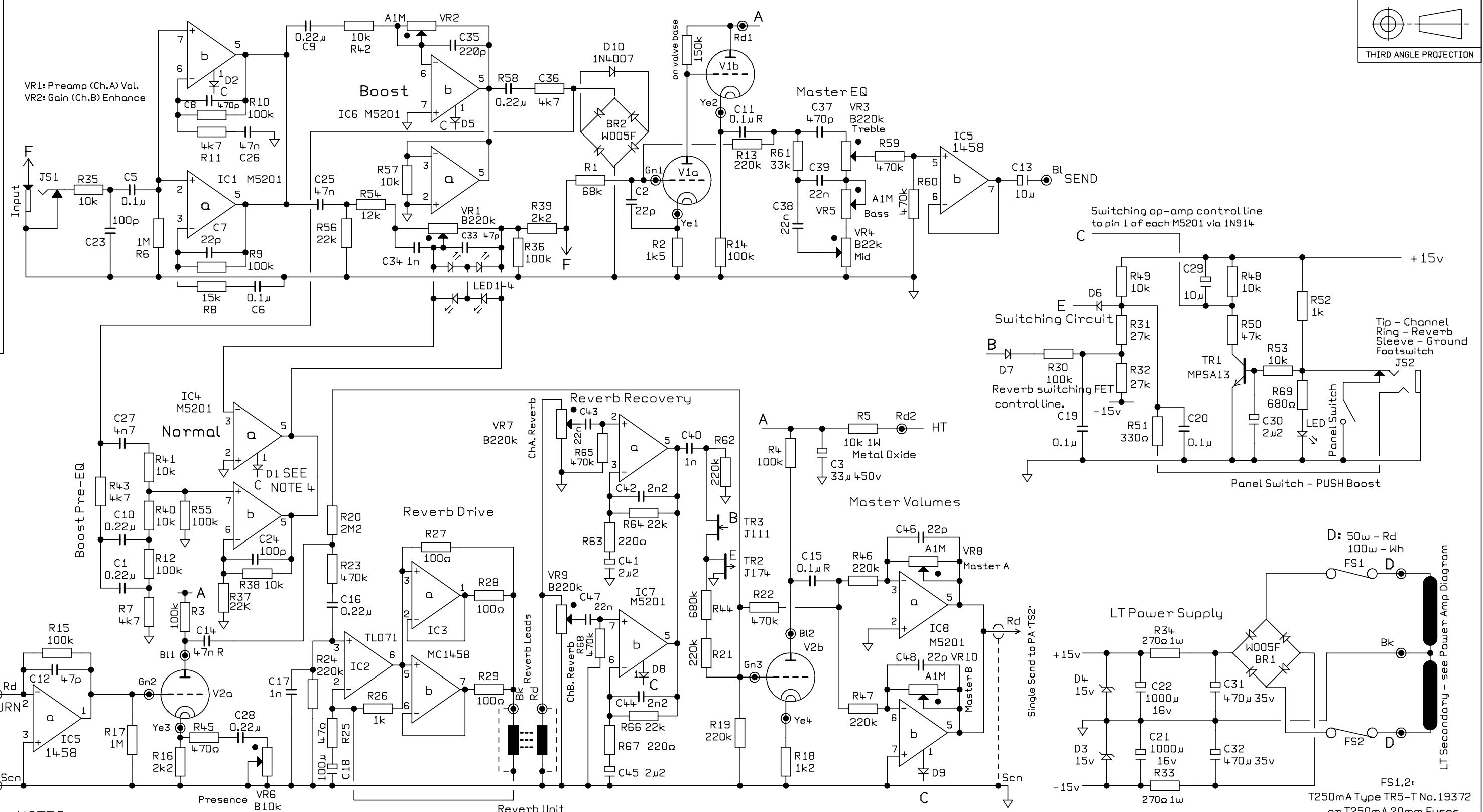
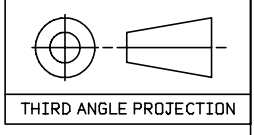


DWG.No. JMP52-02



**NOTES:**

- 1. All resistors 1/4w unless stated.
- 2. All non-elect. caps are 50v axial unless marked: D: Ceramic disk } High voltage  
R: MKT Radial
- 3. All zeners 500mW.
- 4. All unmarked diodes are 1N914. D1 is fitted as a link.
- 5. IC supplies: All ICs but TL071, pin 8: +15v  
TL071, pin 7: +15v  
All ICs, pin 4: -15v
- 6. M5201 switching IC pins:  
Ctrl 1 8 +ve  
+ 2 7 +  
- 3 6 -  
-ve 4 5 Out
- 7. V1.2,3: ECC83.

11	1463	23/09/97
10	0596	14-4-94
9	0455	24/02/94
8	0386	28/7/93
7	0349	A.G.
ISS	ECO NUMBER	DATE

UNSPECIFIED HOLE DATA	
A	H
B	J
C	K
D	L
E	M
F	N
G	P

MATERIAL	
MATERIAL THICKNESS	
INTERNAL BEND RADII	
EXTERNAL B/A	
BEND DIE	
DRAWN CJRH	DATE 28/7/93
CHECKED	DATE
APPROVED	DATE

DIMENSIONS IN	
TOLERANCE (UNLESS OTHERWISE STATED)	
DIMENSIONAL	
CENTRES	
ANGULAR	
MODEL	
4100/4500	

TITLE	
PRE-AMP CCT	
DWG.No	ISSUE
JMP52-02	11

*Marshall*

COPYRIGHT EXISTS ON THIS DOCUMENT. IT MUST NOT BE USED FOR ANY PURPOSE THAN THAT FOR WHICH IT IS SUPPLIED AND MUST NOT BE COPIED (IN WHOLE OR IN PART) WITHOUT WRITTEN PERMISSION FROM  
© MARSHALL AMPLIFICATION PLC  
DENBIGH ROAD, BLETCHLEY, MILTON KEYNES, MK1 10Q.  
TEL (0908)375-11 FAX (0908)376-118

LT Power Supply	
+15v	
-15v	
FS1,2: T250mA Type TR5-T No.19372 or T250mA 20mm Fuses	

1  
2  
3  
4  
5  
6