

March 8th, 1972

Conversion of old YBA-1 with 5AR4 rectifier and ^{7027A}~~7027A~~ output tubes to solid state rectifier and 6CA7 output tubes:

The old circuit (1) fits on old circuit (2) at points A B C D and E to convert the rectifier. It may be possible to fit some of the PH204's right on the old 5AR4 socket as terminal points, or, solder in a separate terminal lug strip.

The 6CA7 and the 7027A have the same tube basing except that you will have to connect G3 pin 1 to pin 8 externally for the 6CA7. We suggest also a 1.5K $\frac{1}{2}$ W resistor in series with the G1 on pin 5 of the 6CA7 to prevent oscillation. We suggest you reduce R30 from 56K to 47K to make the no signal grid bias voltage - 38V.

Except for the transformer voltages, circuit 3 shows the amplifier converted to 6CA7's. The addition of the shock mount rubber feet will insure longer tube life.

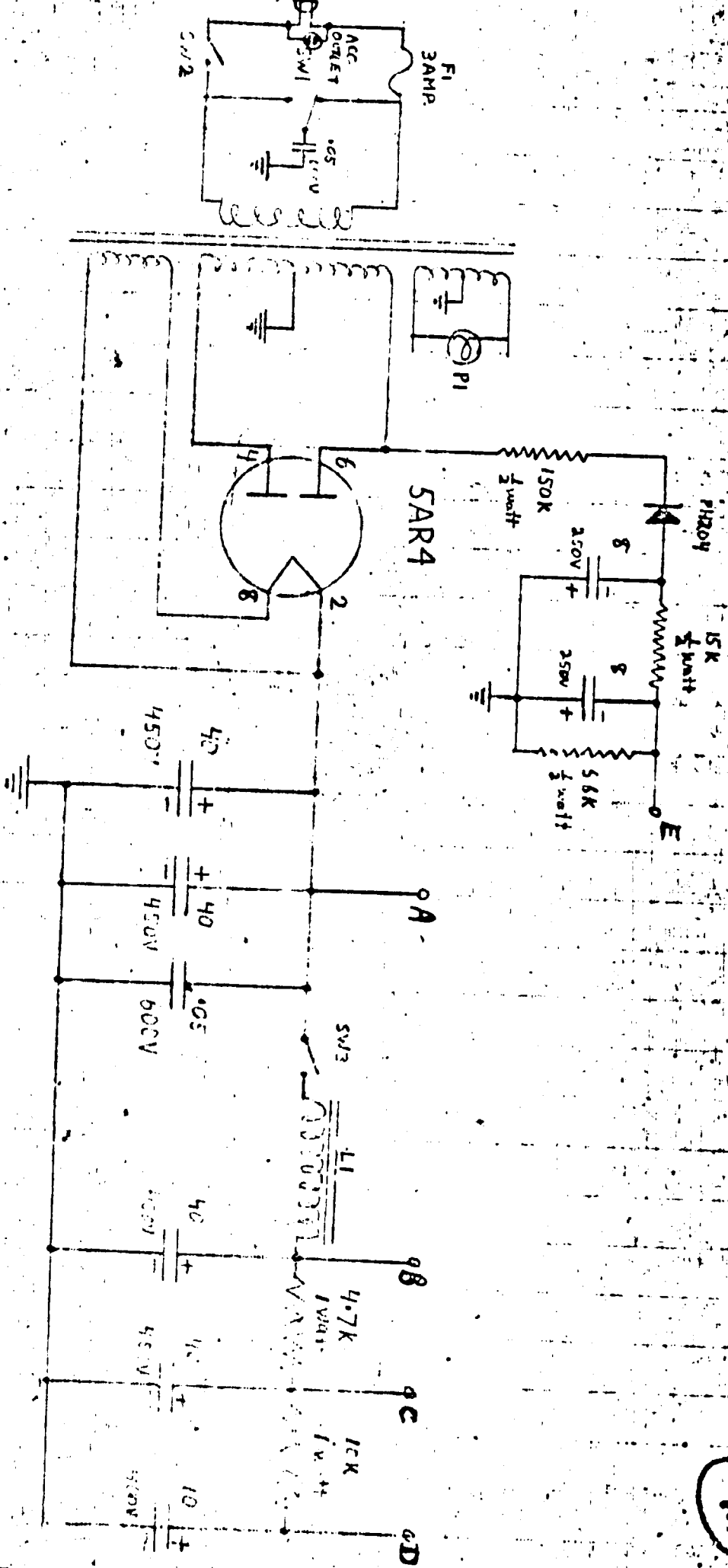
We have included the latest schematic for reference but we do not recommend that you delete the ~~choke~~ in your conversion.

Yours truly,
YORKVILLE SOUND LIMITED

P. A. Hallam, P. Eng

PAH:vc

(9)



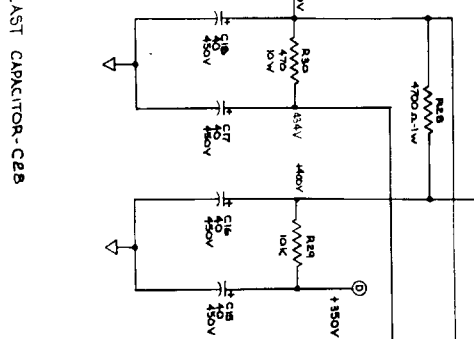
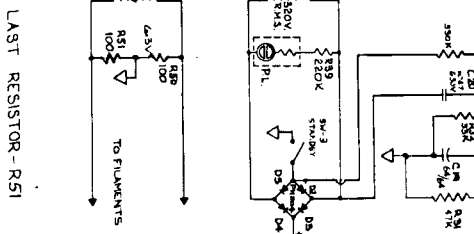
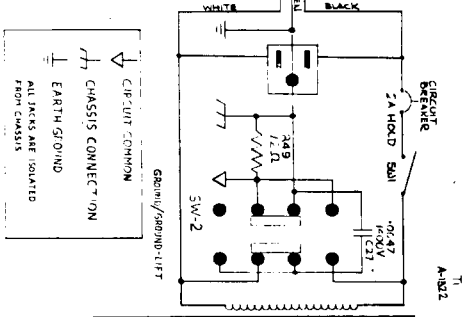
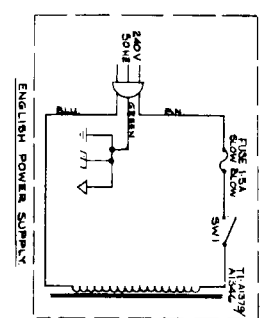
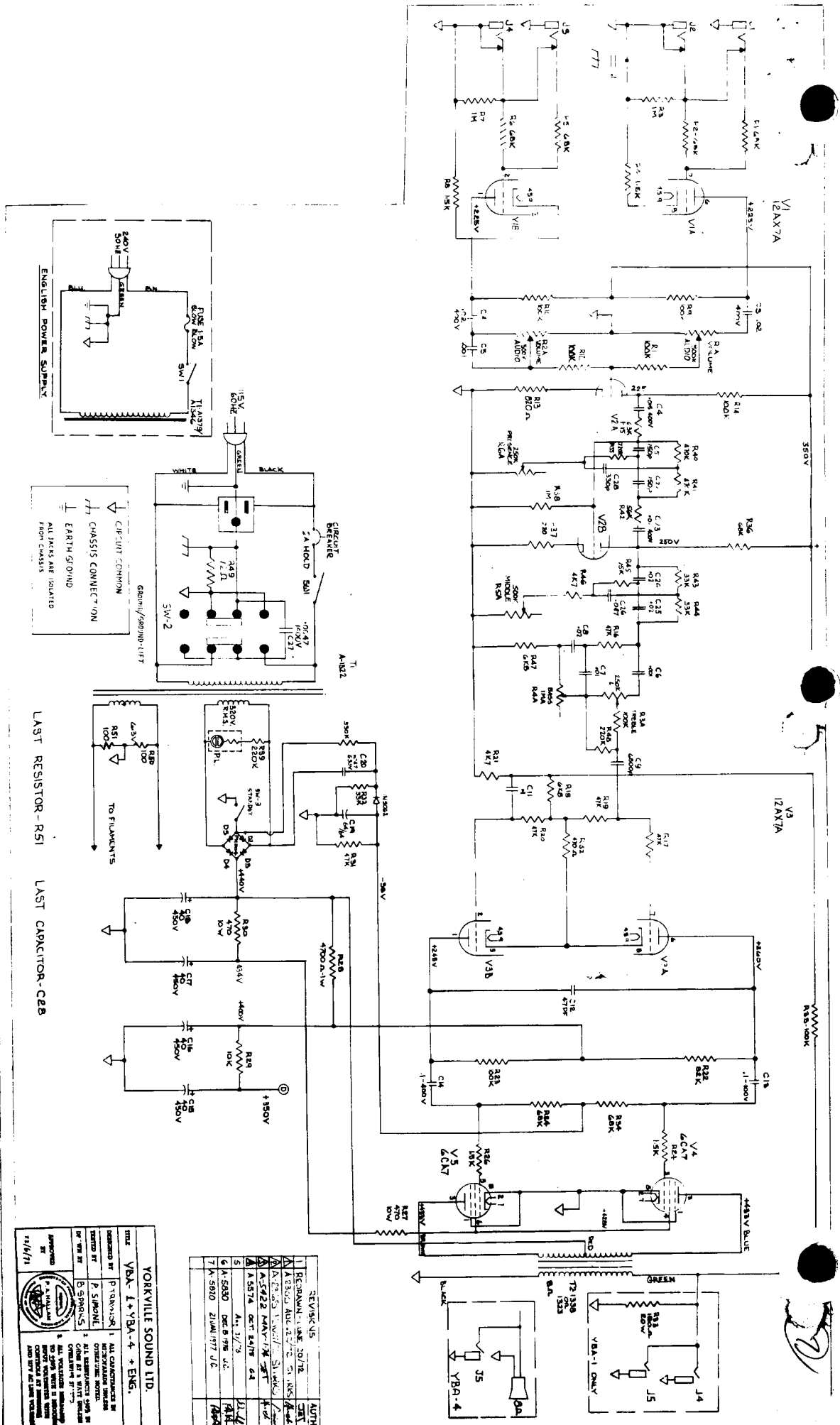
YBA-1 Power Supply Using Tube Rectifier

April - 1966

YORKVILLE SOUND LTD
TORONTO CAN.

YORKVILLE SOUND LTD





YORKVILLE SOUND LTD.

DESIGNED BY P. SIMONS
 DRAWN BY P. SIMONS
 CHECKED BY P. SIMONS
 DATE 1/1/71

ALL CAPACITORS IN THIS CIRCUIT ARE OF THE 50% TOLERANCE TYPE UNLESS OTHERWISE SPECIFIED.
 ALL RESISTORS ARE OF THE 5% TOLERANCE TYPE UNLESS OTHERWISE SPECIFIED.
 ALL VOLTAGES ARE IN RMS UNLESS OTHERWISE SPECIFIED.
 ALL CURRENTS ARE IN RMS UNLESS OTHERWISE SPECIFIED.

REV.	DESCRIPTION	DATE	AUTH.
1	REVISION - 1.0	1/1/71	PS
2	REVISION - 2.0	1/1/71	PS
3	REVISION - 3.0	1/1/71	PS
4	REVISION - 4.0	1/1/71	PS
5	REVISION - 5.0	1/1/71	PS
6	REVISION - 6.0	1/1/71	PS
7	REVISION - 7.0	1/1/71	PS

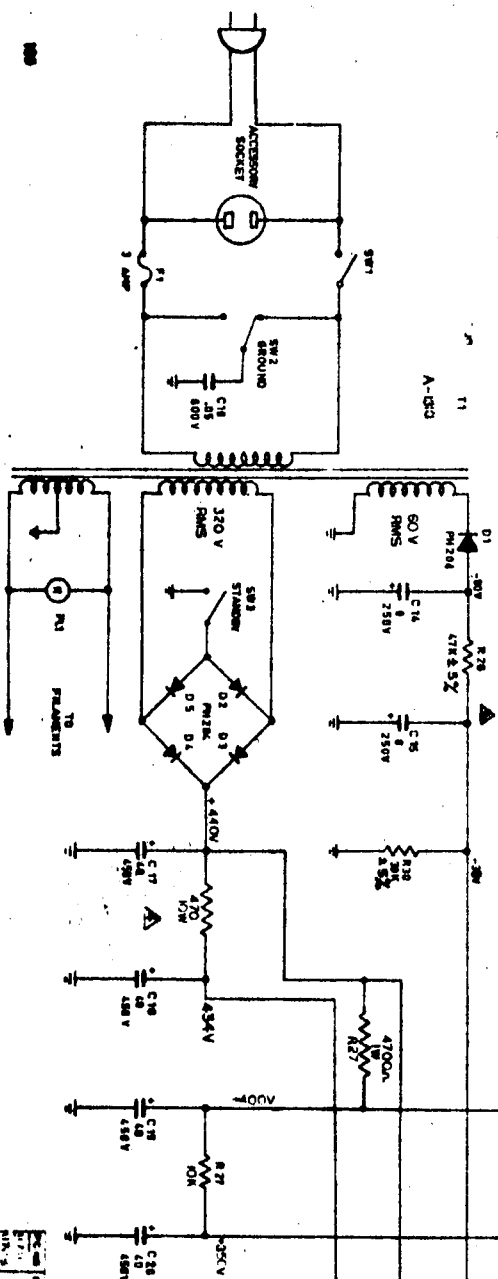
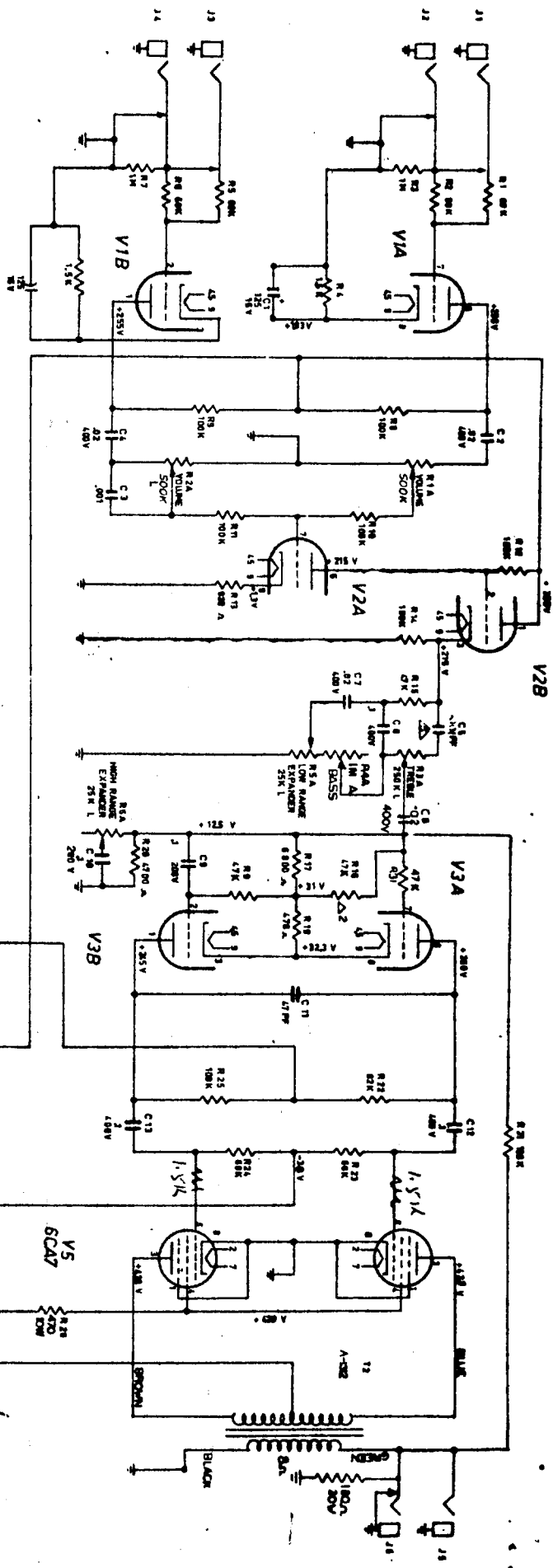
V1
12AX7A

V2
12AX7A

V3
12AX7A

V4
6CA7

4



A-353

- NOTE:
- 1) ALL CAPACITANCES IN WFD UNLESS OTHERWISE SPEC'D
 - 2) ALL RESISTORS IN WFD UNLESS OTHERWISE SPEC'D
 - 3) VOLTAGE INDICATED WITH IT IN PARENTHESIS WITHIN WFD
 - 4) LINE VOLTAGE 117 V
 - 5) ALL COMPONENTS AT MINIMUM
 - 6) NO SERIAL
 - 7) ALL DIMENSIONS - 0.1-20%

latest version



YORKVILLE SOUND LTD.

YBA-1

BRASS MASTER

1	100K	100K	100K
2	100K	100K	100K
3	100K	100K	100K
4	100K	100K	100K
5	100K	100K	100K
6	100K	100K	100K
7	100K	100K	100K
8	100K	100K	100K
9	100K	100K	100K
10	100K	100K	100K
11	100K	100K	100K
12	100K	100K	100K
13	100K	100K	100K
14	100K	100K	100K
15	100K	100K	100K
16	100K	100K	100K
17	100K	100K	100K
18	100K	100K	100K
19	100K	100K	100K
20	100K	100K	100K
21	100K	100K	100K
22	100K	100K	100K
23	100K	100K	100K
24	100K	100K	100K
25	100K	100K	100K

