

REV	Eng	Date:	Revision Description	ECN#
A				
B				
C				
D				
E				
F				

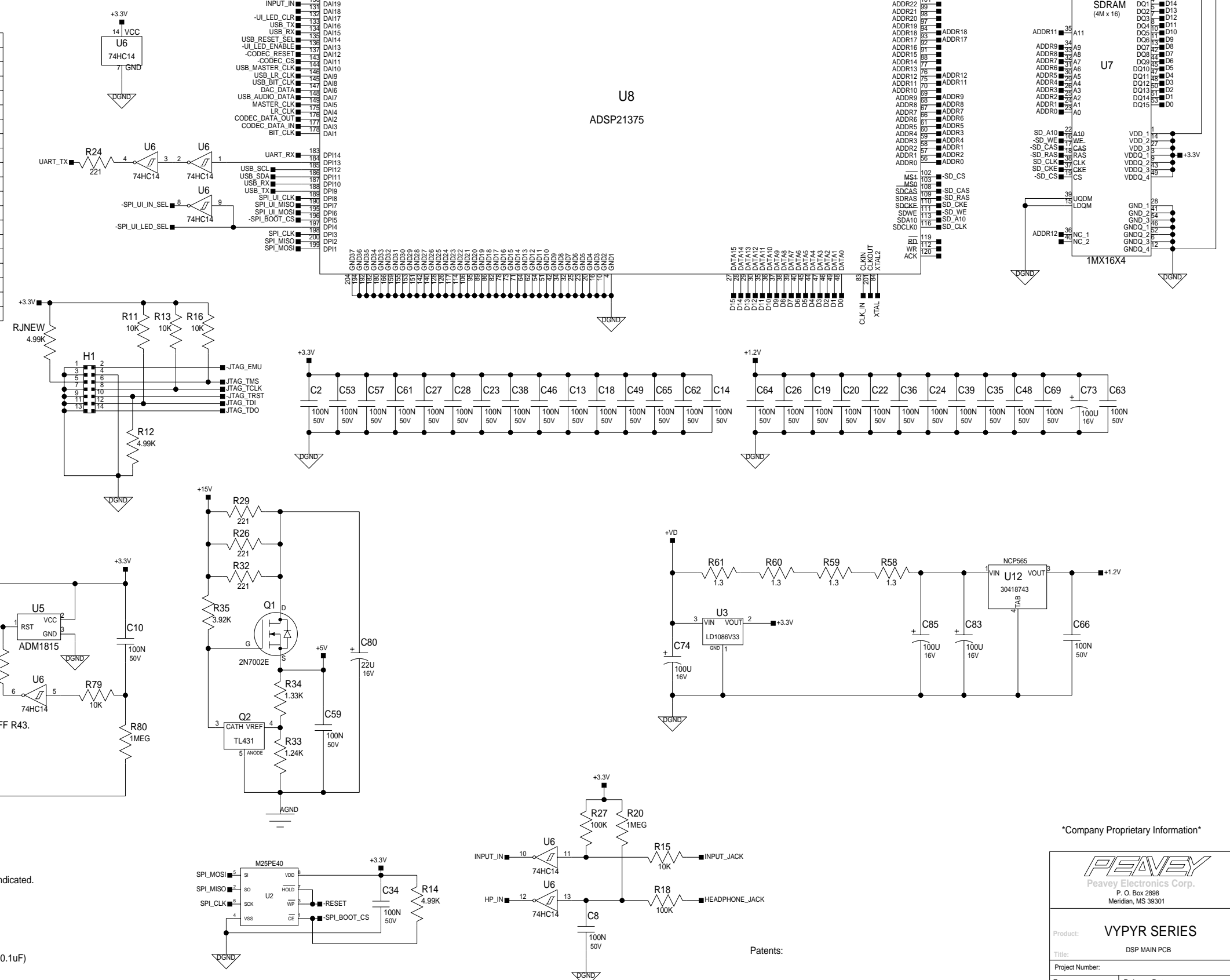
INDEX

SHEET	DESCRIPTION


A

B

Note: All thru hole Resistors are 1/4 Watt unless otherwise indicated.
 All SMT 1206 Resistors are 1/4 Watt.
 All SMT 0805 Resistors are 1/10 Watt.
 Note Capacitor Values are indicated as Follows:
 val P = pF (picoFarads) val * 10 exp-12
 val N = nF (nanoFarads) val * 10 exp-9 (1N=1000pF, 100N=0.1uF)
 val U = uF (microFarads) val * 10 exp-6



Company Proprietary Information



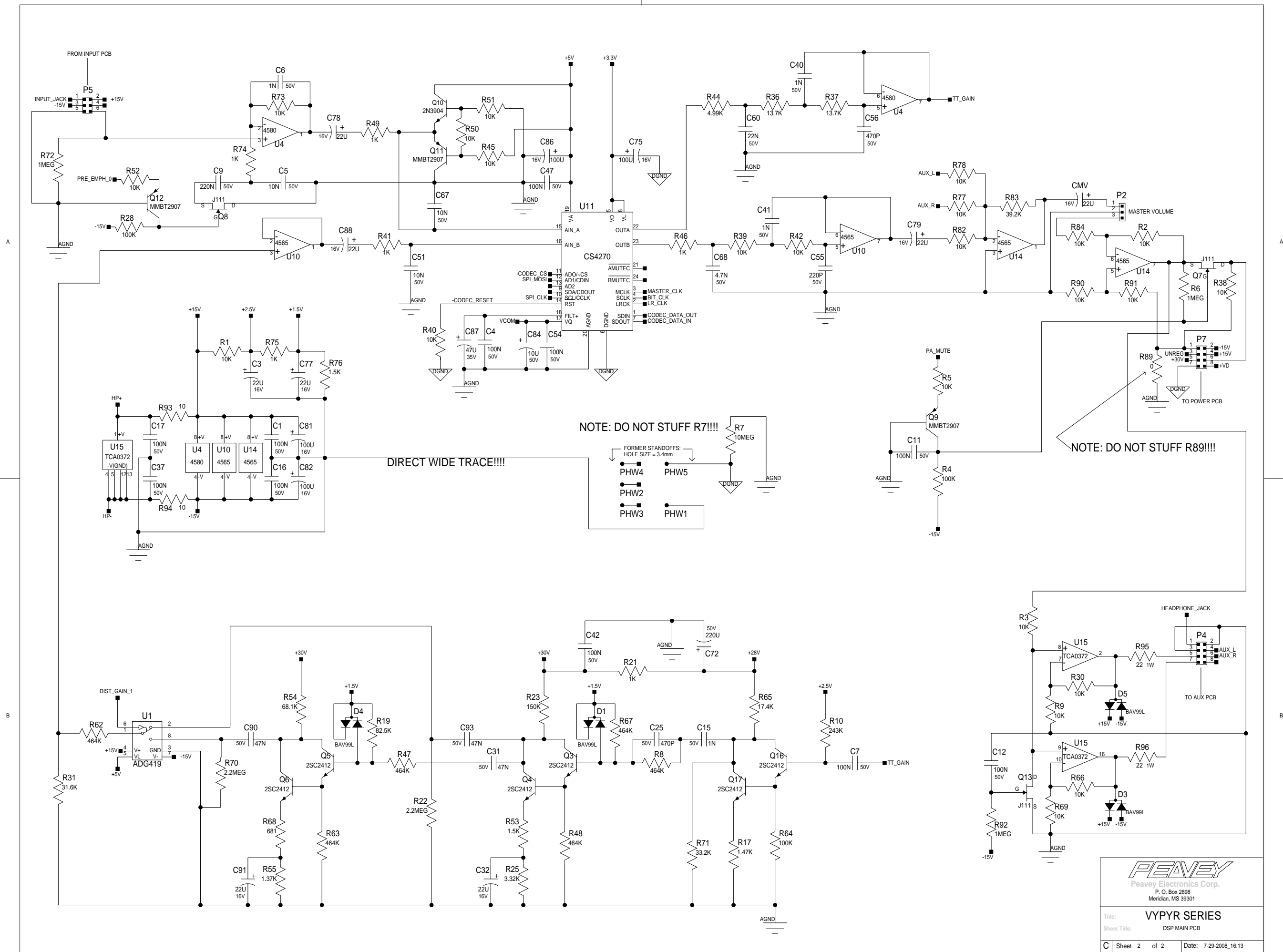
Peavey Electronics Corp.
P. O. Box 2898
Meriden, MS 39301

Product:	VYPYR SERIES		
Title:	DSP MAIN PCB		
Project Number:			
Eng: g.stock/jdf	Release Date:		
C	Sheet 1	of 2	Saved: 7-29-2008_16:13

Patents:
 Copyright Peavey Electronics Corporation 2008.

1

2



NOTE: DO NOT STUFF R7!!!!

FORMER STANDOFFS:
HOLE SIZE = 3.4mm

- PHW4
- PHW5
- PHW2
- PHW3
- PHW1

DIRECT WIDE TRACE!!!!

NOTE: DO NOT STUFF R89!!!!

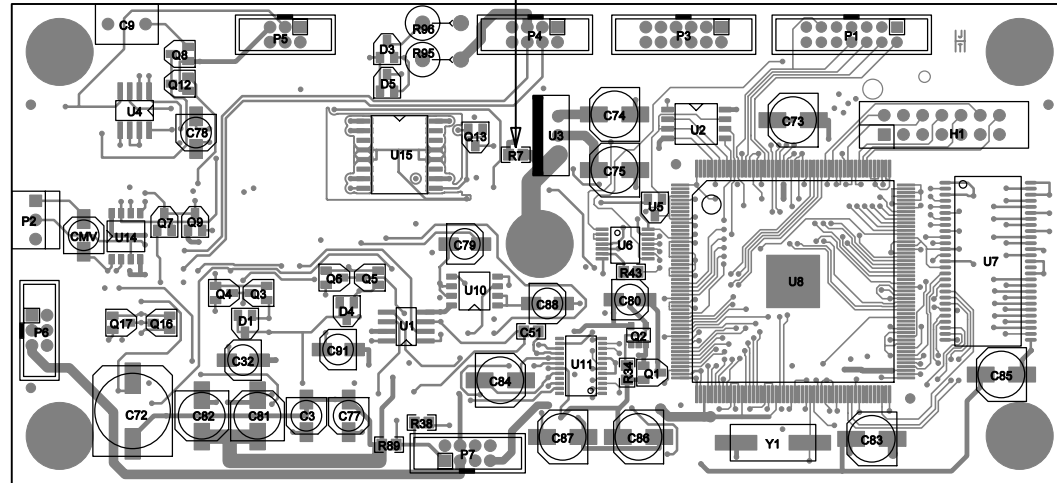


Title: **VYPYR SERIES**
Sheet Title: **DSP MAIN PCB**

FOR ASSEMBLY
29100131
DO NOT STUFF

H1	R89	R7	R43
P6	P3	R24	

FOR ASSEMBLY 29100131 (VYPYR 15 ONLY)
SHORT R7 WITH SOLDER BY HAND



BILL OF MATERIAL REPORT

REPORT DATE/TIME: 8/4/2008 10:34:08 AM

BOARD NAME: VYPYR 15 DSP

ASSEMBLY LEVEL NUMBER: 29100131

PROJECT NUMBER: P0600077

DESIGNER: JTH

Qty.	Part #	Description	Reference Designators

--			
28	30200074	10K 1/10W 0.1% MF 0805	R1 R2 R3 R5 R9 R11 R13 R15 R16 R30 R38 R39 R40 R42 R45 R50 R51 R52 R66 R69 R73 R77 R78 R79 R82 R84 R90 R91
1	30200124	243K 1/4W 1% MF 1206	R10
4	30200173	4.99K 1/10W 1% MF 0805	R12 R14 R44 RJNEW
3	30200183	221 1/10W 1% MF 0805	R26 R29 R32
6	30200188	1.00K 1/10W 1% MF 0805	R21 R41 R46 R49 R74 R75
1	30200189	1.37K 1/10W 1% MF 0805	R55
2	30200190	1.50K 1/10W 1% MF 0805	R53 R76
6	30200194	100K 1/10W 1% MF 0805	R4 R18 R27 R28 R64 R81
6	30200195	1.00M 1/10W 1% MF 0805	R6 R20 R56 R72 R80 R92
1	30200199	1.24K 1/10W 1% MF 0805	R33
1	30200201	1.47K 1/10W 1% MF 0805	R17
1	30200202	3.32K 1/10W 1% MF 0805	R25
1	30200247	715 1/10W 1% MF 0805	R68
1	30200257	31.6K 1/10W 1% MF 0805	R31
1	30200259	39.2K 1/10W 1% MF 0805	R83
1	30200273	3.92K 1/10W 1% MF 0805	R35

1	30200330	33.2K	1/10W	1%	MF	0805	R71
1	30200335	68.1K	1/10W	1%	MF	0805	R54
1	30200337	82.5K	1/10W	1%	MF	0805	R19
2	30200348	10	1/4W	1%	MF	1206	R93 R94
1	30200380	140K	1/10W	1%	MF	0805	R23
6	30200417	464K	1/10W	1%	MF	0805	R8 R47 R48 R62 R63 R67
1	30200428	17.4K	1/10W	1%	MF	0805	R65
2	30200443	2.2M	1/10W	5%	0805		R22 R70
2	30200535	13.7K	1/10W	1%	0805		R36 R37
1	30200541	1.33K	1/10W	1%	0805		R34
1	30200543	47.5	1/10W	1%	0805		R57
4	30200544	1.3	1/4W	5%	MF	1206	R58 R59 R60 R61
2	30210001	22	1W	5%	MO	AXL	R95 R96
1	30300079	47UF	35V	20%	EL	SMT6	C87
8	30300083	100UF	16V	20%	EL	SMT6	C73 C74 C75 C81 C82 C83 C85 C86
1	30300089	220PF	50V	5%	NPO	0805	C55
2	30300090	470PF	50V	5%	NPO	0805	C25 C56
4	30300091	1000PF	50V	5%	NPO	0805	C6 C15 C40 C41
2	30300092	20PF	50V	5%	NPO	0805	C70 C71
1	30300098	220UF	50V	20%	EL	SMT10	C72
3	30300116	0.01UF	50V	5%	X7R	0805	C5 C51 C67
49	30300121	0.1UF	50V	5%	X7R	0805	C1 C2 C4 C7 C8 C10 C11 C12 C13 C14 C16 C17 C18 C19 C20 C21 C22 C23 C24 C26 C27 C28 C29 C30 C33 C34 C35 C36 C37 C38 C39 C42 C45 C46 C47 C48

			C49 C53 C54 C57 C58 C59 C61 C62 C63 C64 C65 C66 C69
1	30300148	0.022UF 50V 5% X7R 0805	C60
1	30300161	4700PF 50V 5% X7R 0805	C68
3	30300171	0.047UF 50V 5% X7R 0805	C31 C90 C93
1	30300178	10UF 50V 20% EL SMT6	C84
9	30300237	22UF 16V 20% EL SMT4	C3 C32 C77 C78 C79 C80 C88 C91 CMV
1	30330128	0.22UF 50V 5% PE RAD	C9
1	30401086	LD1086V 3.3V LDO REG TO220	U3
6	30418034	2SC2412S NPN SMT	Q3 Q4 Q5 Q6 Q16 Q17
1	30418135	2N3904 NPN SOT23	Q10
3	30418138	J111 JFET N SOT23	Q7 Q8 Q13
1	30418158	4580 DUAL LN OPAMP SO8	U4
3	30418284	MMBT2907 PNP SOT23	Q9 Q11 Q12
1	30418369	2N7002E N CH 60V MOSFET	Q1
1	30418391	1MX16X4 BANKS, 64MS	U7
2	30418506	4565 DUAL OPAMP SOIC8W	U10 U14
1	30418622	TCA0372 DUAL 1A OPAMP SOIC16W	U15
4	30418655	BAV99L DUAL 4148 DIODE SO	D1 D3 D4 D5
1	30418723	ADG419 SPDT ANALOG SW SOIC8	U1
1	30418735	CS4270 24BIT,192KHZ ST CODEC	U11
1	30418736	ADSP21375 SHARC PROCESSOR MQFP	U8
1	30418737	M25PE40 4MBIT FLASH	U2
1	30418738	ADM1815 PROCESSOR RESET 2.88V	U5
1	30418743	1.2V 1.5A LDO REG -SMT	U12
1	30418744	74HC14 6- SCHMITT TSSOP14	U6

1	30418758	TL431 ADJ SHUNT REG, SOT23-5	Q2
1	30810022	24.576MHZ HC49S CRYSTAL SMT	Y1
1	33717013	3 HDR V SR .100" TIN LK	P2
1	33717358	6 HDR V DR 2MM GOLD	P5
2	33717359	8 HDR V DR 2MM GOLD	P4 P7
1	33717361	14 HDR V DR 2MM GOLD	P1
5	CABL13813	18GA W/CRIMP TERM 73713813	PHW1 PHW2 PHW3 PHW4 PHW5
8	FIDUCIAL	????????????????????????????????	FID1 FID2 FID3 FID4 FID5 FID6 FID7 FID8

 END OF BILL OF MATERIAL REPORT
