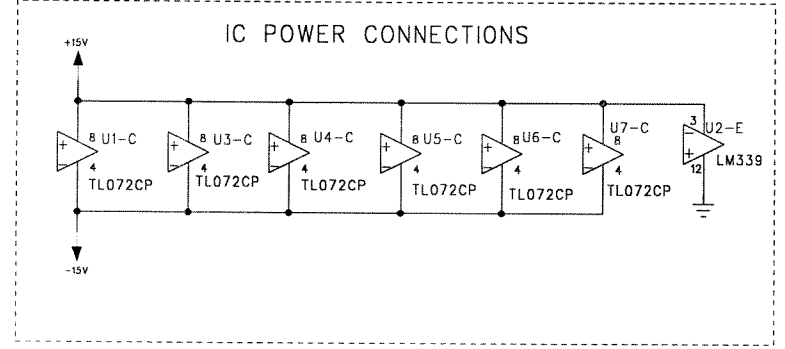
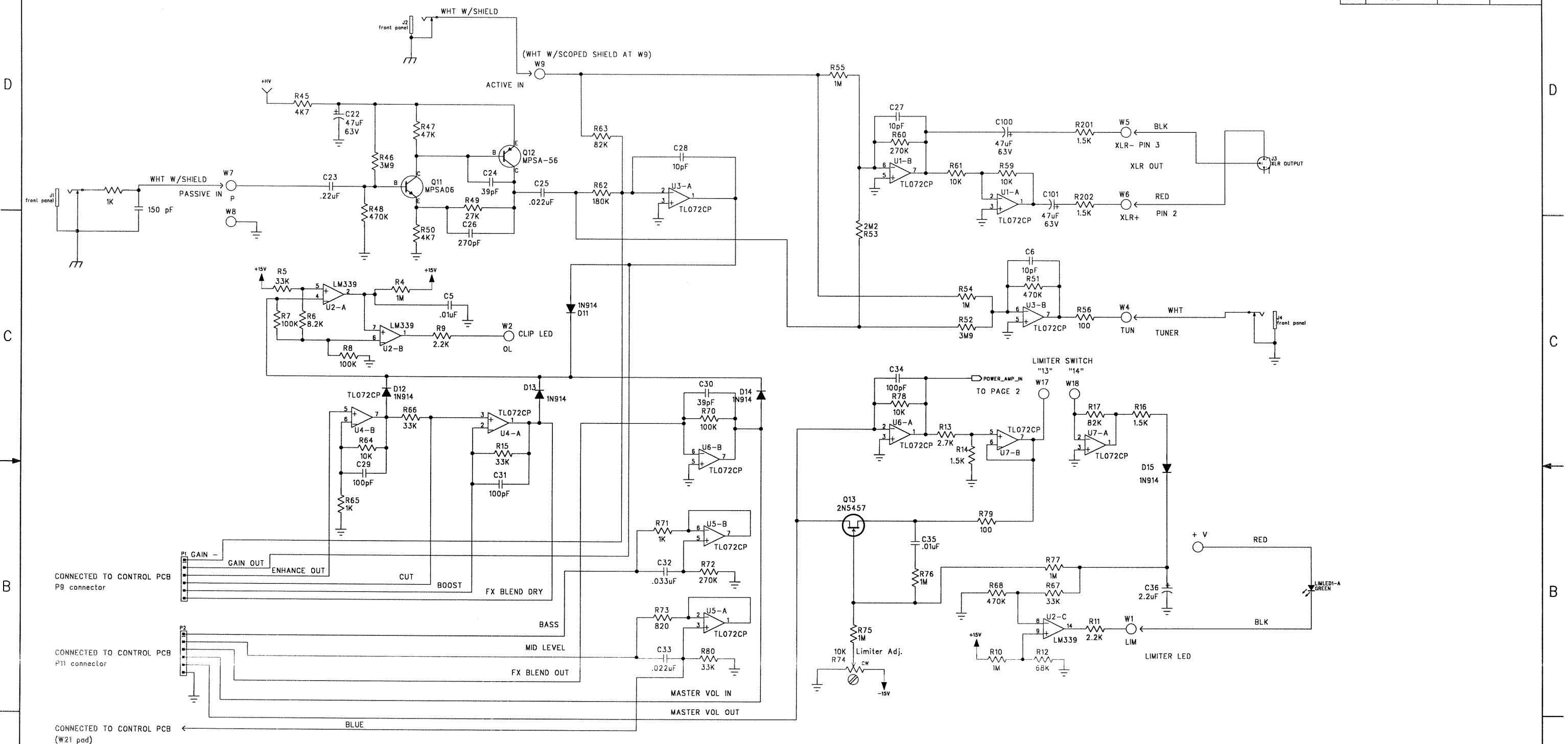


REVISIONS			
REV.	DESCRIPTION	DATE	APPROVED
A	PR608	18-JUL-03	M.M.L.



THIS DOCUMENT CONTAINS INFORMATION OF A PROPRIETARY NATURE TO FENDER MUSICAL INSTRUMENTS AND IS SUBMITTED TO YOU IN CONFIDENCE AND SHALL NOT BE DISCLOSED OR TRANSMITTED TO OTHERS WITHOUT AUTHORIZATION FROM FENDER MUSICAL INSTRUMENTS.

Fender MUSICAL INSTRUMENTS
Corona, CA U.S.A.

TITLE: SERVICE DIAGRAM, COMBINED (schematic)
SWR WorkingMan's 2004
PRE AMP PCB

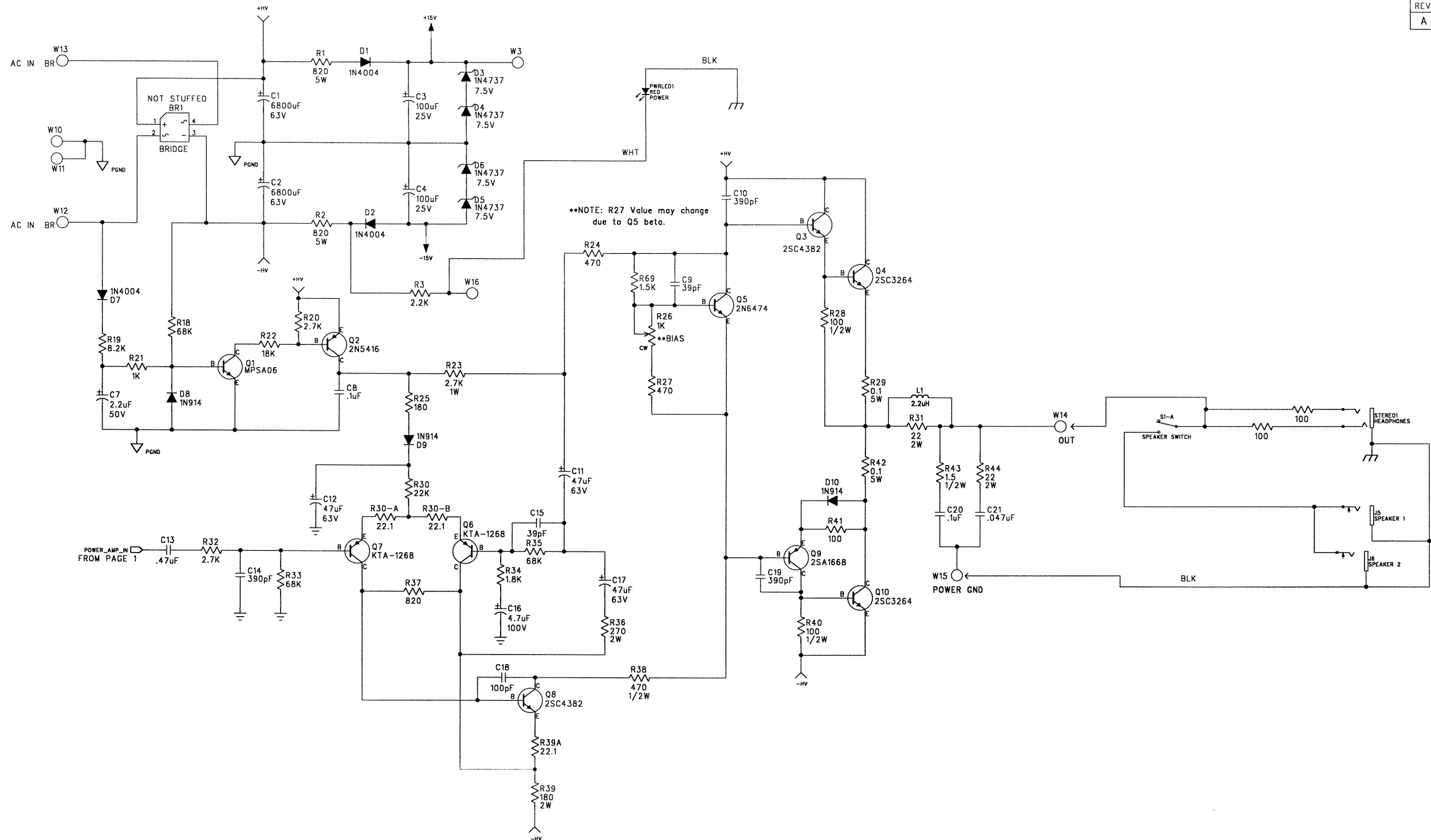
CHECKED BY: _____
DATE: _____
APPROVED BY: *M. Lesko*
DATE: 7-21-03
DRAWN: M. Lesko ENGR: M. Lesko
DATABASE FILE: 2004_PRE.SCH

SIZE: D
DRAWING NUMBER: 0063765000
REV. A

RELEASE DATE: 18-JUL-03 SHEET: 1 OF 3

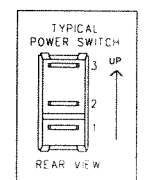
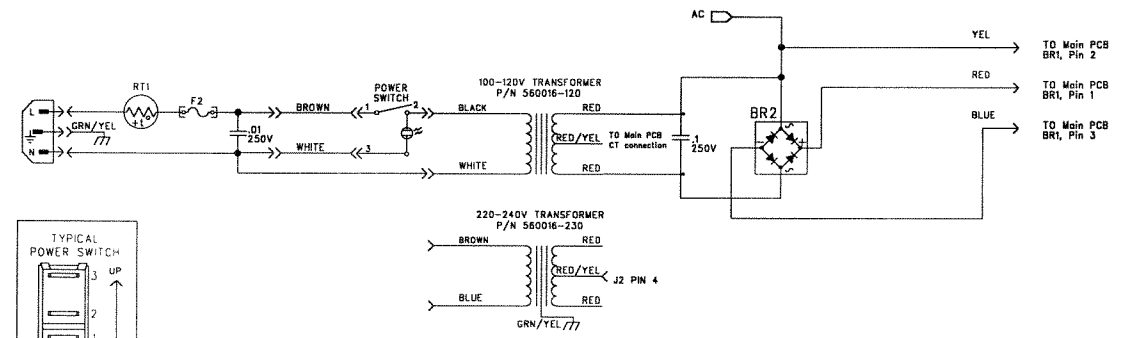
- NOTES: (UNLESS OTHERWISE NOTED)
- REFERENCE DESIGNATORS STARTING WITH "W" INDICATE PADS FOR WIRES THAT ARE SOLDERED TO THE PCB
 - ALL DIODES ARE 1N4148.
 - ALL POLARIZED CAPACITORS IN μ F, 20% 50V MINIMUM. (POWER SUPPLY BYPASS CAPACITORS ARE 20%).
 - ALL UNPOLARIZED CAPACITORS IN μ F, 10% OR BETTER; 50V MINIMUM.
 - ALL RESISTORS IN OHMS, 5% 1/4W.

REVISIONS			
REV.	DESCRIPTION	DATE	APPROVED
A	PR608	7-JUL-03	M.M.L.



**NOTE: R27 Value may change due to Q5 beta.

POWER AMP IN FROM PAGE 1



VOLTAGE	FUSE RATING
100-120V	T4A 250V SLO-BLOW
220-240V	T2A 250V SLO-BLOW

- REFERENCE DESIGNATORS STARTING WITH "W" INDICATE PADS FOR WIRES THAT ARE SOLDERED TO THE PCB
- ALL DIODES ARE 1N4448.
- ALL POLARIZED CAPACITORS IN μ F, 20% OR BETTER, 50V MINIMUM.
- ALL UNPOLARIZED CAPACITORS IN μ F, 10% OR BETTER, 50V MINIMUM. (POWER SUPPLY BYPASS CAPACITORS ARE 20%).
- ALL RESISTORS IN OHMS, 5%, 1/4W.

THIS DOCUMENT CONTAINS INFORMATION OF A PROPRIETARY NATURE TO FENDER MUSICAL INSTRUMENTS AND IS SUBMITTED TO YOU IN CONFIDENCE AND SHALL NOT BE DISCLOSED OR TRANSMITTED TO OTHERS WITHOUT AUTHORIZATION FROM FENDER MUSICAL INSTRUMENTS.

CHECKED BY: _____
 DATE: _____
 APPROVED BY: *S. Boudreau*
 DATE: *7-21-03*
 DRAWN: M. Lesko ENGR: M. Lesko
 DATABASE FILE: 2004_PRE_SCH

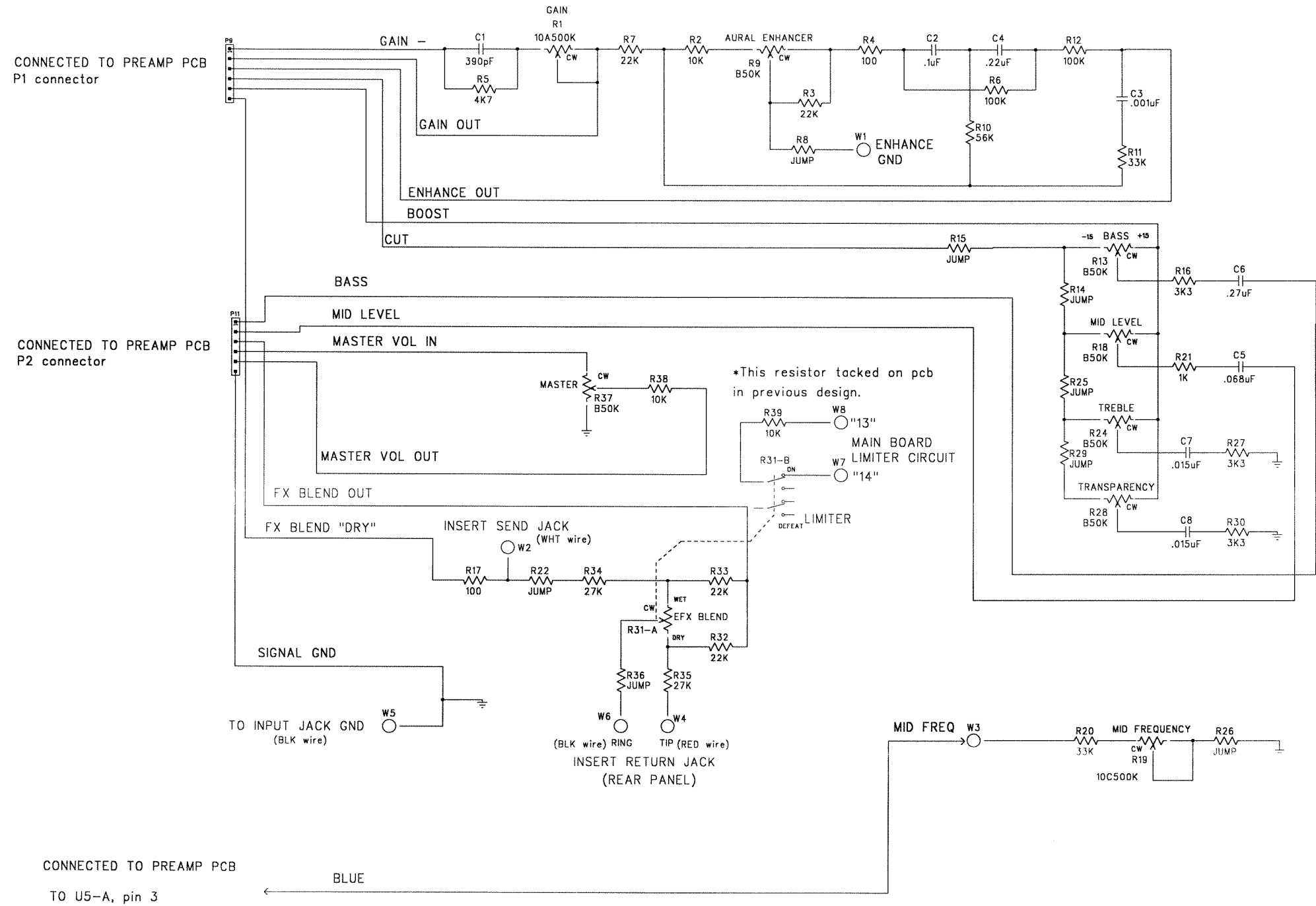
Fender MUSICAL INSTRUMENTS
 Corona, CA U.S.A.

TITLE: SERVICE DIAGRAM, COMBINED (schematic)
 SWR WorkingMan's 2004
 Power Amp and Power Supply

SIZE	DRAWING NUMBER	REV.
D	0063765000	A

RELEASE DATE: 7-18-03 SHEET: 2 OF 3

REVISIONS			
REV.	DESCRIPTION	DATE	APPROVED
A	PR608	18-JUL-03	M.M.L.



5. REFERENCE DESIGNATORS STARTING WITH "W" INDICATE PADS FOR WIRES THAT ARE SOLDERED TO THE PCB
 4. ALL DIODES ARE 1N4448B.
 3. ALL POLARIZED CAPACITORS IN uF, 20V; 50V MINIMUM.
 2. ALL UNPOLARIZED CAPACITORS IN uF, 10X DR BETTER; 50V MINIMUM. (POWER SUPPLY BYPASS CAPACITORS ARE 20X)
 1. ALL RESISTORS IN OHMS, 5% 1/4W.
- NOTES: (UNLESS OTHERWISE NOTED)

THIS DOCUMENT CONTAINS INFORMATION OF A PROPRIETARY NATURE TO FENDER MUSICAL INSTRUMENTS AND IS SUBMITTED TO YOU IN CONFIDENCE AND SHALL NOT BE DISCLOSED OR TRANSMITTED TO OTHERS WITHOUT AUTHORIZATION FROM FENDER MUSICAL INSTRUMENTS.

Fender MUSICAL INSTRUMENTS
Corona, CA U.S.A.

CHECKED BY: _____
 DATE: _____
 APPROVED BY: *S. Bantle*
 DATE: *7-21-03*

TITLE: SERVICE DIAGRAM, COMBINED (schematic)
 SWR WorkinMan's 2004
 Front Panel Control PCB

SIZE: **D** DRAWING NUMBER: **0063765000** REV: **A**

DRAWN: M. Lesko ENGR: M. Lesko
 DATABASE FILE: 2004_Ctrl.SCH RELEASE DATE: 18-JUL-03 SHEET: 3 OF 3