

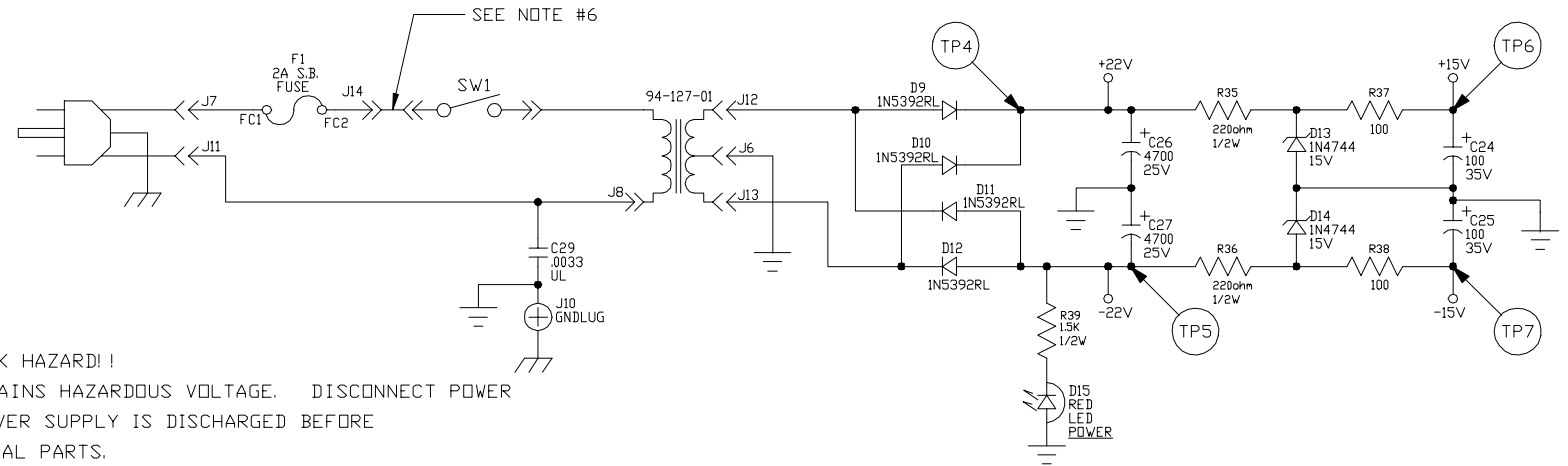
INPUT SIGNAL 50mV P-P @ 1KHz  
GAIN AND LEVEL @ '10', EQ'S 'FLAT'

T.P.	AC VOLTAGE	DC VOLTAGE	WAVEFORM
1	4V p-p	1.6mVDC	
2	3V p-p	-3.8mVDC	
3	32V p-p	1.1mVDC	
4	.166V p-p ripple	+18.5VDC	
5	.195V p-p ripple	-18.5VDC	
6		14.2VDC	
7		-14.2VDC	

**NOTES**

- 1) CAUTION: SHOCK HAZARD!  
THIS UNIT CONTAINS HAZARDOUS VOLTAGE. DISCONNECT POWER AND BE SURE POWER SUPPLY IS DISCHARGED BEFORE TOUCHING INTERNAL PARTS.
- 2) UNLESS NOTED, RESISTOR VALUES IN OHMS, 1/4W-5% TOL. CAPACITOR VALUES IN MICROFARADS, 50V-10% TOL.
- 3) VOLTAGES ARE MEASURED WITH 1 MEGOHM OSCILLOSCOPE AND 10 MEGOHM DIGITAL VOLTMETER.
- 4) J3 ON 07-237-01 ONLY  
JW4 ON 07-237-02 ONLY
- 5) GRAY/WHT NOT USED ON -30 XFMR'S. ALL UNUSED PRIMARY LEADS ARE BOOTED. FOR THE 94-127-30 USE THE BROWN XFMR LEAD FOR EITHER 230V OR 240V
- 6) INRUSH CURRENT LIMITER (97-123-21) ADD TO EXPORT CHASSIS ASSY.

EXPORT WIRING (SEE NOTE 5)



**CAUTION:**

THIS SCHEMATIC IS PROVIDED FOR USE BY QUALIFIED PERSONNEL. TO AVOID RISK OF ELECTRIC SHOCK, REFER SERVICING TO QUALIFIED SERVICE PERSONNEL. DO NOT PERFORM ANY SERVICING BEYOND THAT EXPLAINED IN THE OPERATING INSTRUCTIONS.

REV	DATE	BY	CHK'D	DESCRIPTION
9	2/11/98	REM		CHANGED 12A CAPS TO 12R PER E970822. AND ECR 980707-03
8	08/14/97	DLS		ADDED EXPORT WIRING TO SCHEMATIC PER E970448 ALSO CHANGED TO PICTORIAL PER E970551
7	05/07/97	MAG		ADDED -02 VERSION PER ECO 970218.
6	11/18/96	REM		CHG'D 23-926-01 FUSECLIPS TO -02 & 23-312-01 TO 23-520-05 PER ECO 960462.
5	05/26/95	SWR		CHANGED J7 & J11 FROM:17-894-01 TO:17-836-01 PER ECO #E950058
4	04/25/94	B.C.		CHANGE C22&C28 FROM .1 TO .22. ADD R50 (10K), CHANGE PINS 1 & 2 ON RC-1 PER E174
3	07/24/93	ERW		CHANGED VALUE OF C1,C9 & C15 FUSE VALUES (EXPORT WIRING DETAIL)
2				SCHEM DIDN'T CHANGE, CHANGED REV TO MATCH ARTWORK
1	06/04/93	SWR		ADDED C32, CHG'D VALUE OF C4,C29,R4,R5, R21,R33,R41 & P1

<b>SIGNATURES:</b>		<b>DATE:</b>	
DRAWN: REM		03/31/93	
CHK'D: TEK		04/01/93	
APP'D: TEK		04/01/93	
ORIGINAL ISSUED:	03/31/93	DRAWING NAME: BX-50	
PLOT DATE:	09/29/98	SCHEMATIC DRAWING	
PLOT TIME:	12:57:39	DRAWING NO. 07S237-01/02	REV. 9
FILE NAME:	23701H9	SCALE: 1:1	SHEET: 1 OF 1

11860 BORMAN DR.  
ST. LOUIS, MISSOURI  
63148