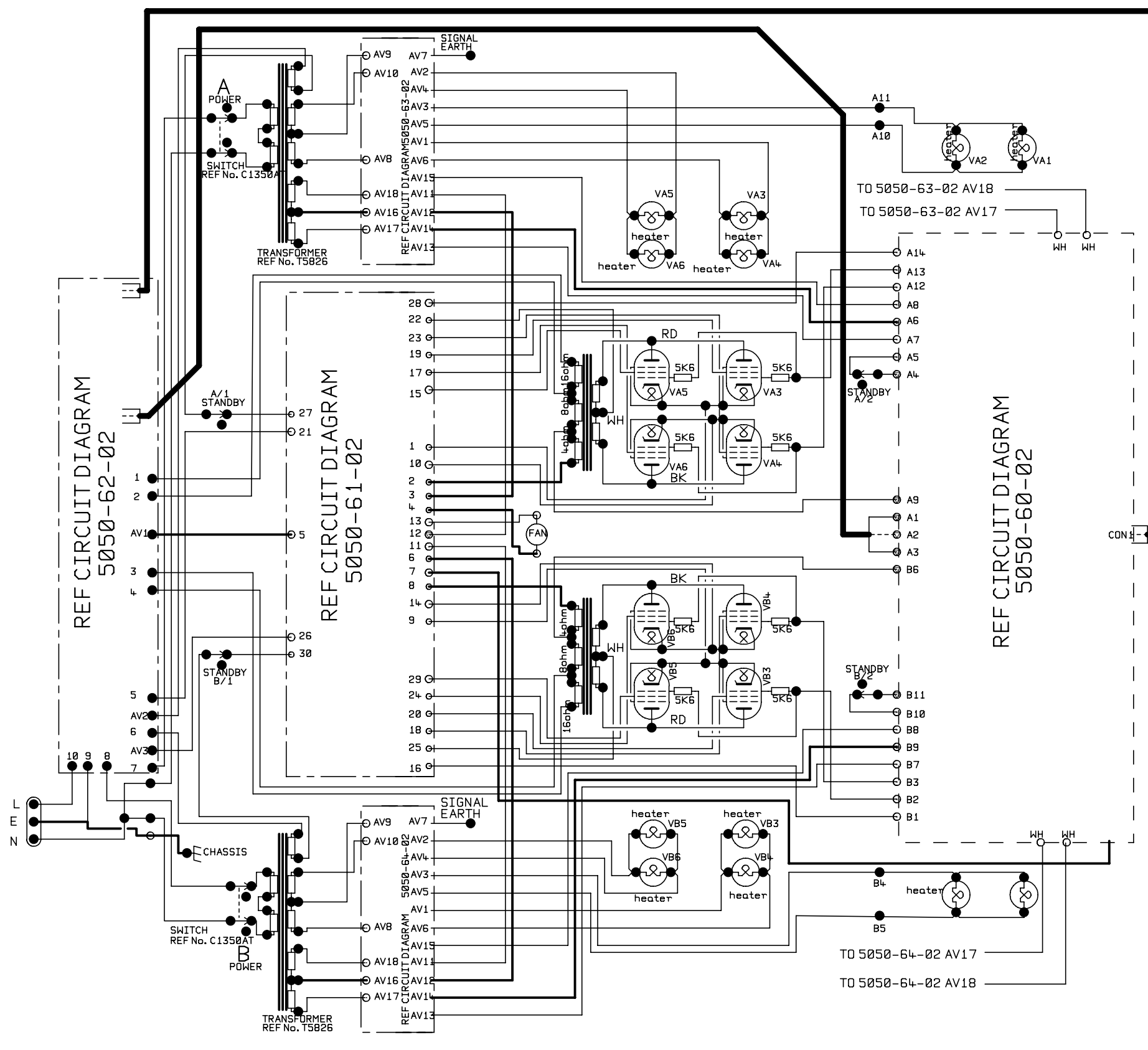
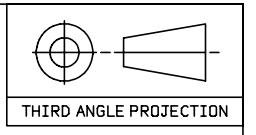


DWG.No. 100100-65-02



UNSPECIFIED HOLE DATA			MATERIAL		DIMENSIONS IN		TITLE	
		A	H	MATERIAL THICKNESS	TOLERANCE (UNLESS OTHERWISE STATED)		100100 CIRCUIT DIAGRAM	
		B	J	INTERNAL BEND RADII	DIMENSIONAL		DWG.No 100100-65-02	
6	2332	20-2-03	C	EXTERNAL B/A	CENTRES		ISSUE	
5	0725	27-10-94	D	BEND DIE	ANGULAR		100100-65-02 6	
4	0606	19-4-94	E	DRAWN A.G.	DATE	MODEL	100100	
3	0502	16-12-93	F	CHECKED	DATE		MARSHALL AMPLIFICATION PLC. DENBIGH ROAD, BLETCHEY, MILTON KEYNES, MK1 10Q. TEL (0900)375411 FAX (0900)376110	
ISS	ECO NUMBER	DATE	G	APPROVED	DATE			