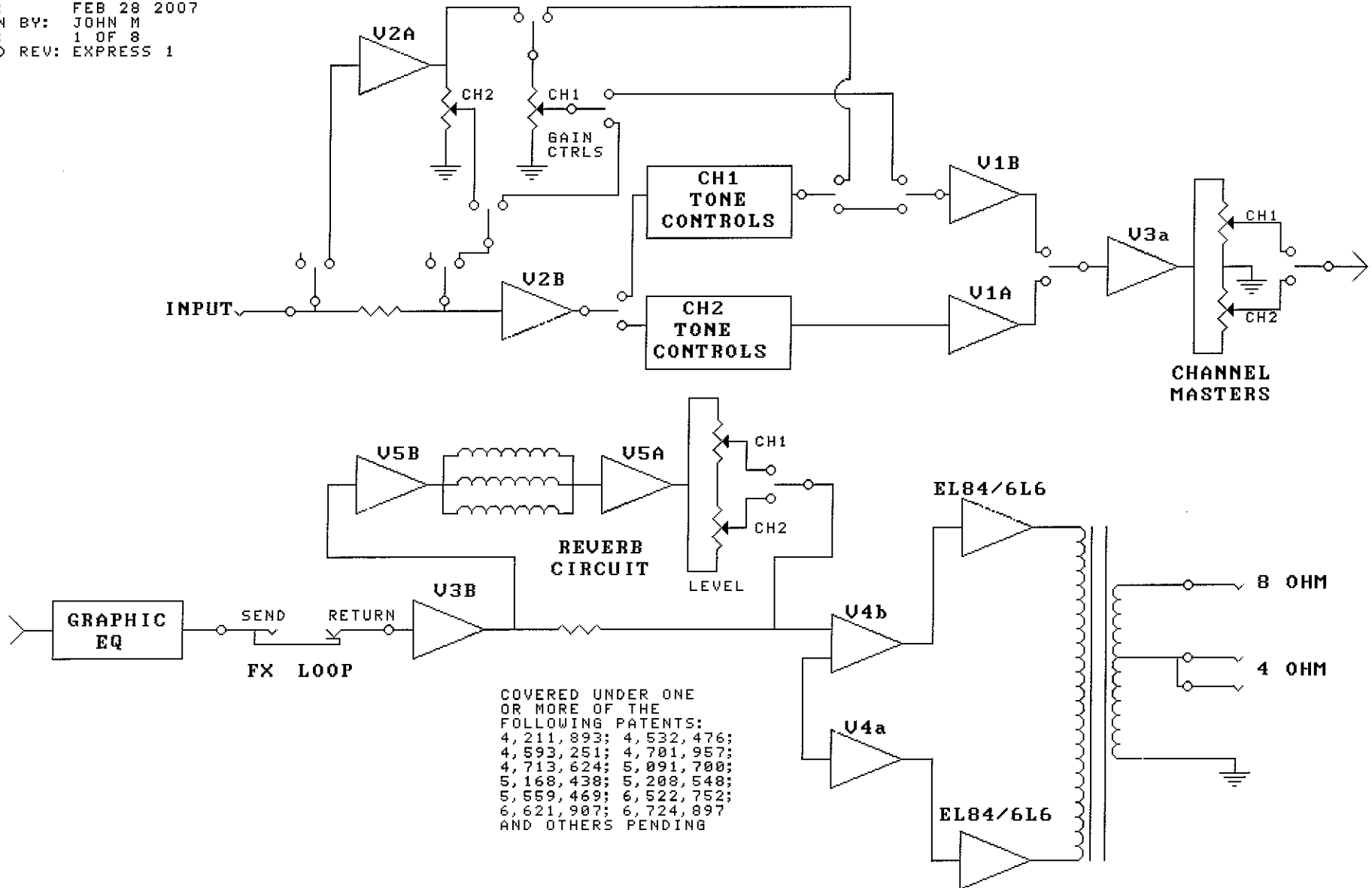


MESA/BOOGIE

EXPRESS 5:25, 5:50

BLOCK DIAGRAM

FILE: EXPBLK.S01
 DATE: FEB 28 2007
 DRAWN BY: JOHN M
 PAGE: 1 OF 8
 BOARD REV: EXPRESS 1



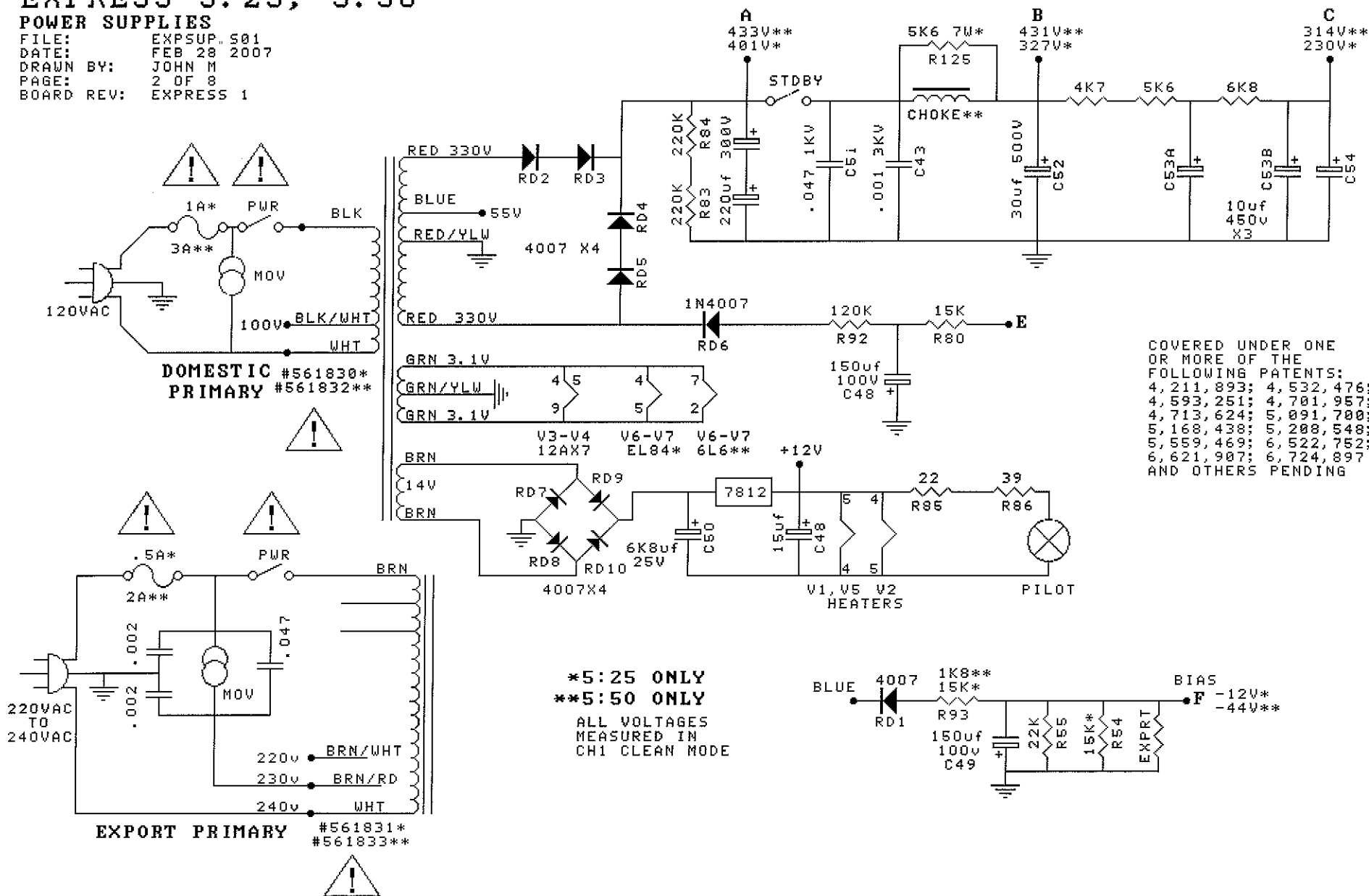
COVERED UNDER ONE
 OR MORE OF THE
 FOLLOWING PATENTS:
 4,211,893; 4,532,476;
 4,593,251; 4,701,957;
 4,713,624; 5,091,700;
 5,168,438; 5,208,548;
 5,559,469; 6,522,752;
 6,621,907; 6,724,897
 AND OTHERS PENDING

MESA/BOOGIE

EXPRESS 5:25, 5:50

POWER SUPPLIES

FILE: EXPSUP.501
 DATE: FEB 28 2007
 DRAWN BY: JOHN M
 PAGE: 2 OF 8
 BOARD REV: EXPRESS 1

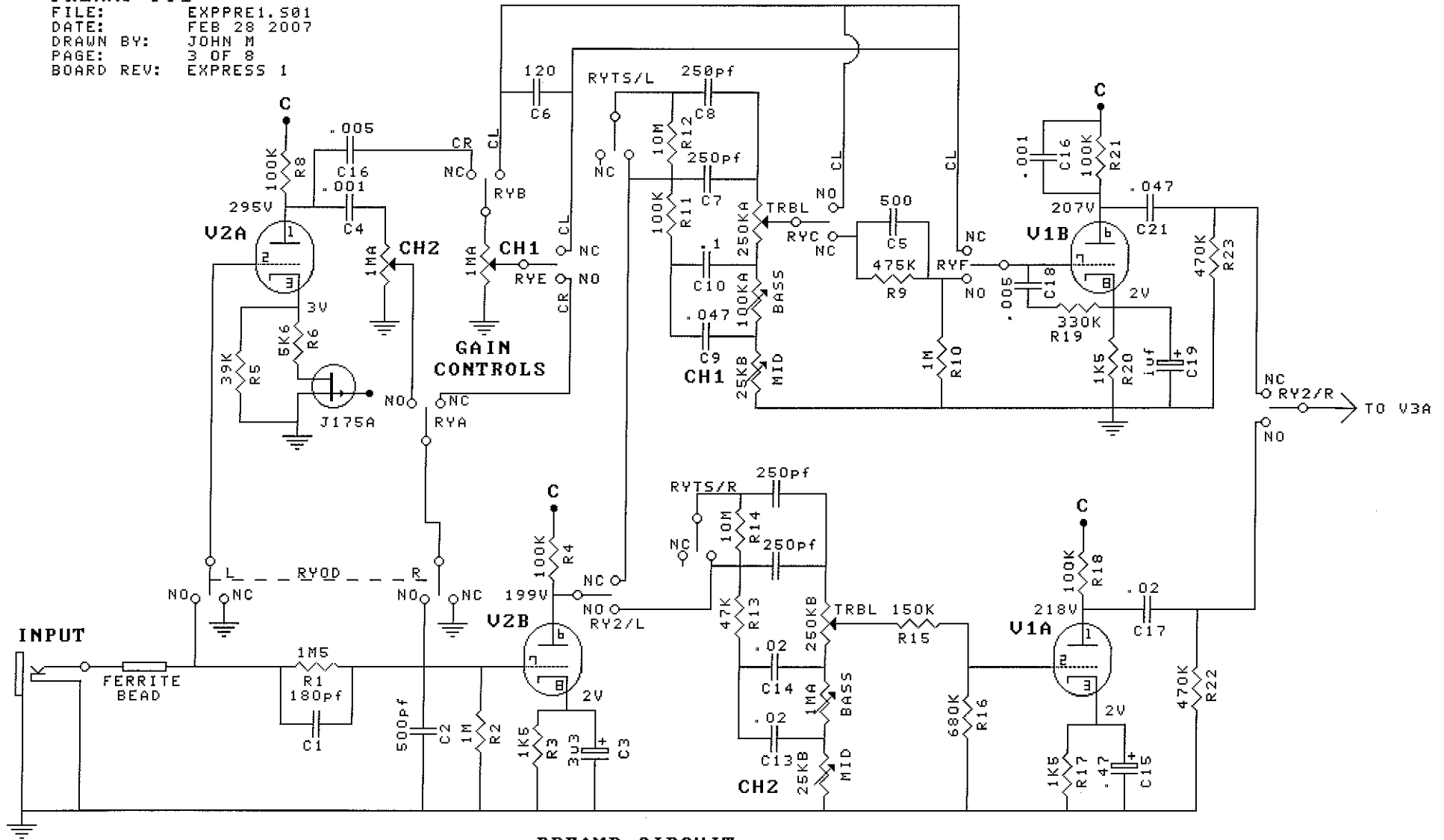


MESA/BOOGIE

EXPRESS 5:25, 5:50

PREAMP PT1

FILE: EXPPRE1.501
DATE: FEB 28 2007
DRAWN BY: JOHN M
PAGE: 3 OF 8
BOARD REV: EXPRESS 1



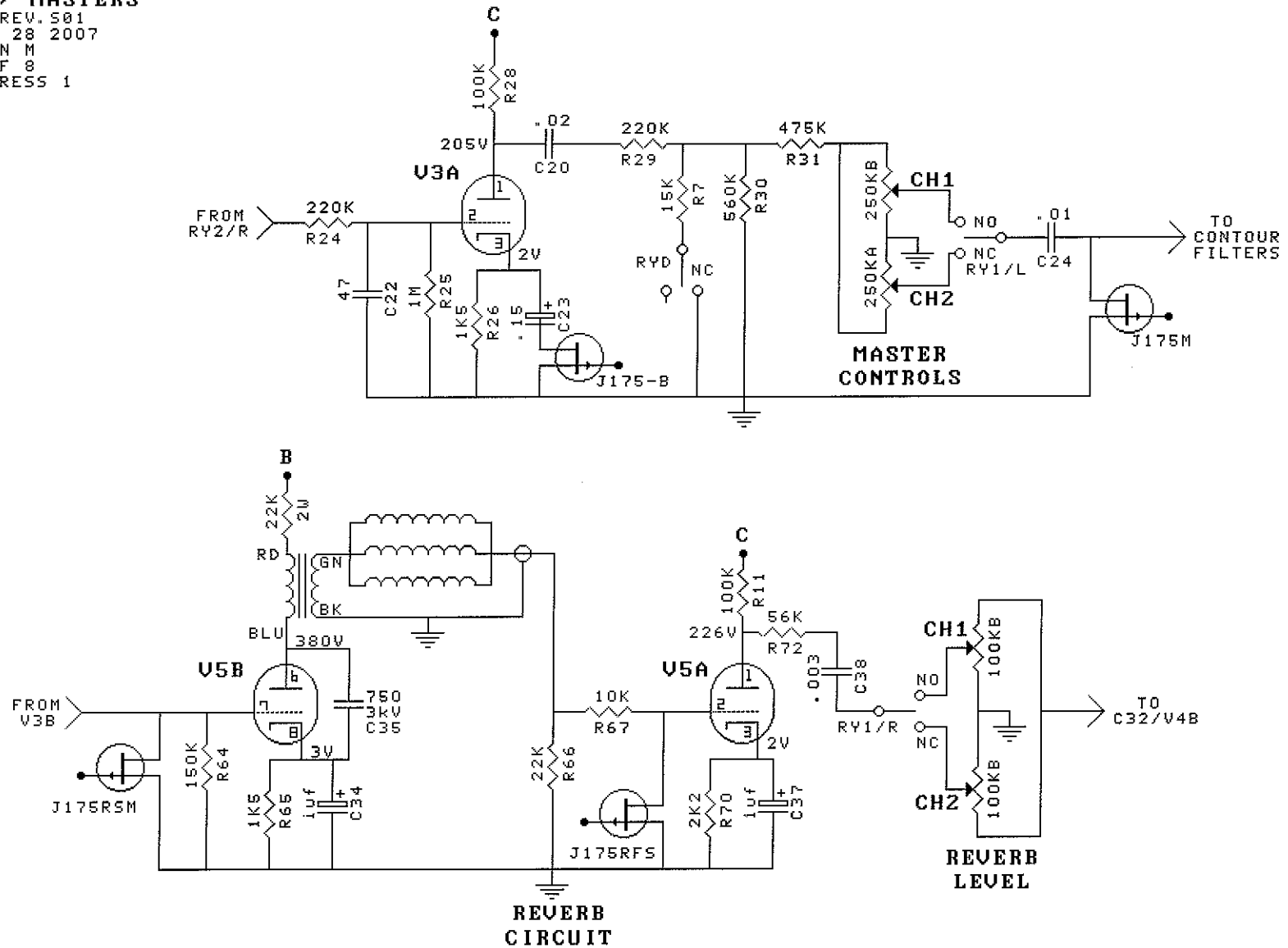
PREAMP CIRCUIT
PATENT #4,701,957

MESA/BOOGIE

EXPRESS 5:25, 5:50

REV CIRCUIT/ MASTERS

FILE: EXPREV.S01
DATE: FEB 28 2007
DRAWN BY: JOHN M
PAGE: 4 OF 8
BOARD REV: EXPRESS 1

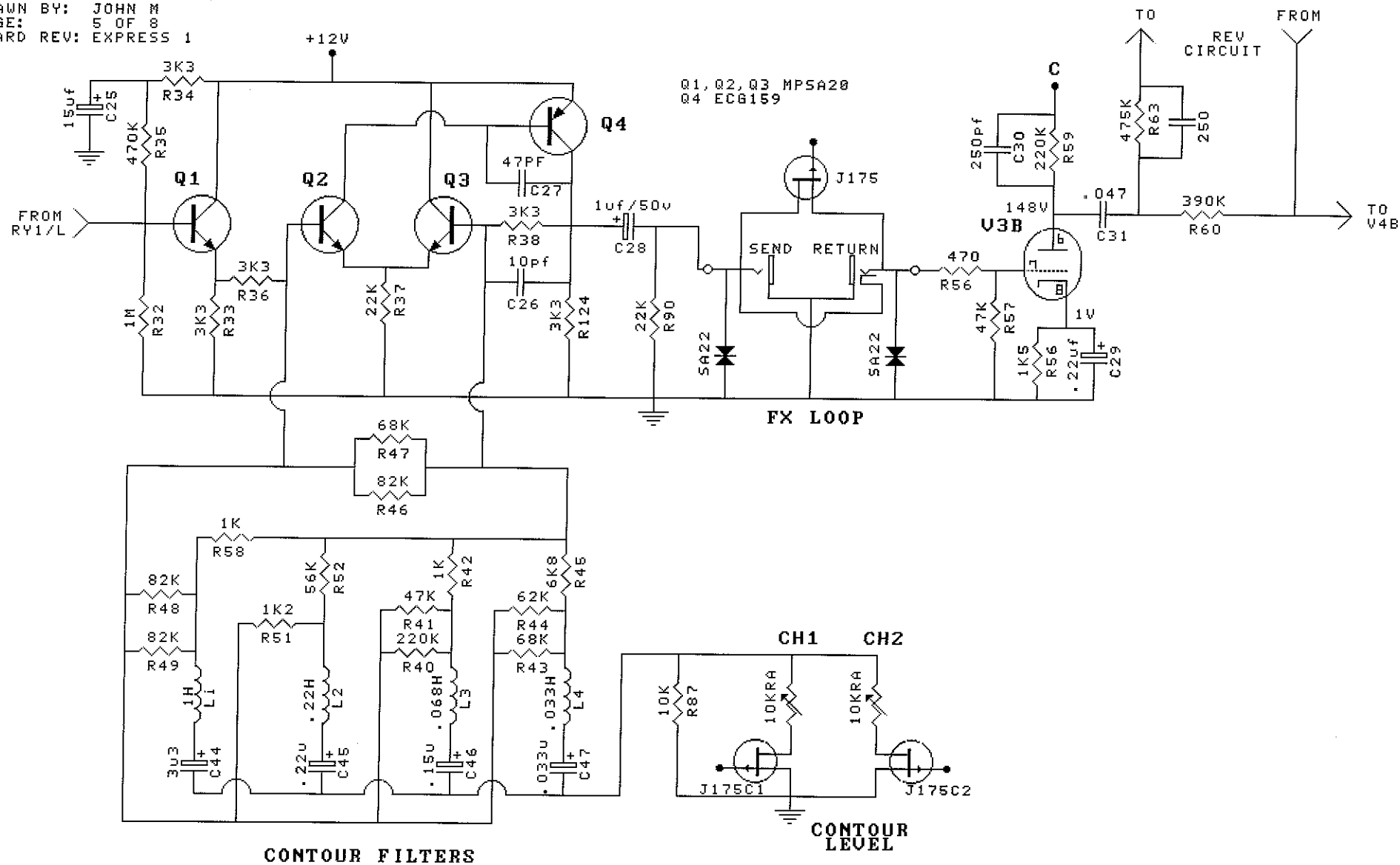


MESA/BOOGIE

EXPRESS 5:25, 5:50

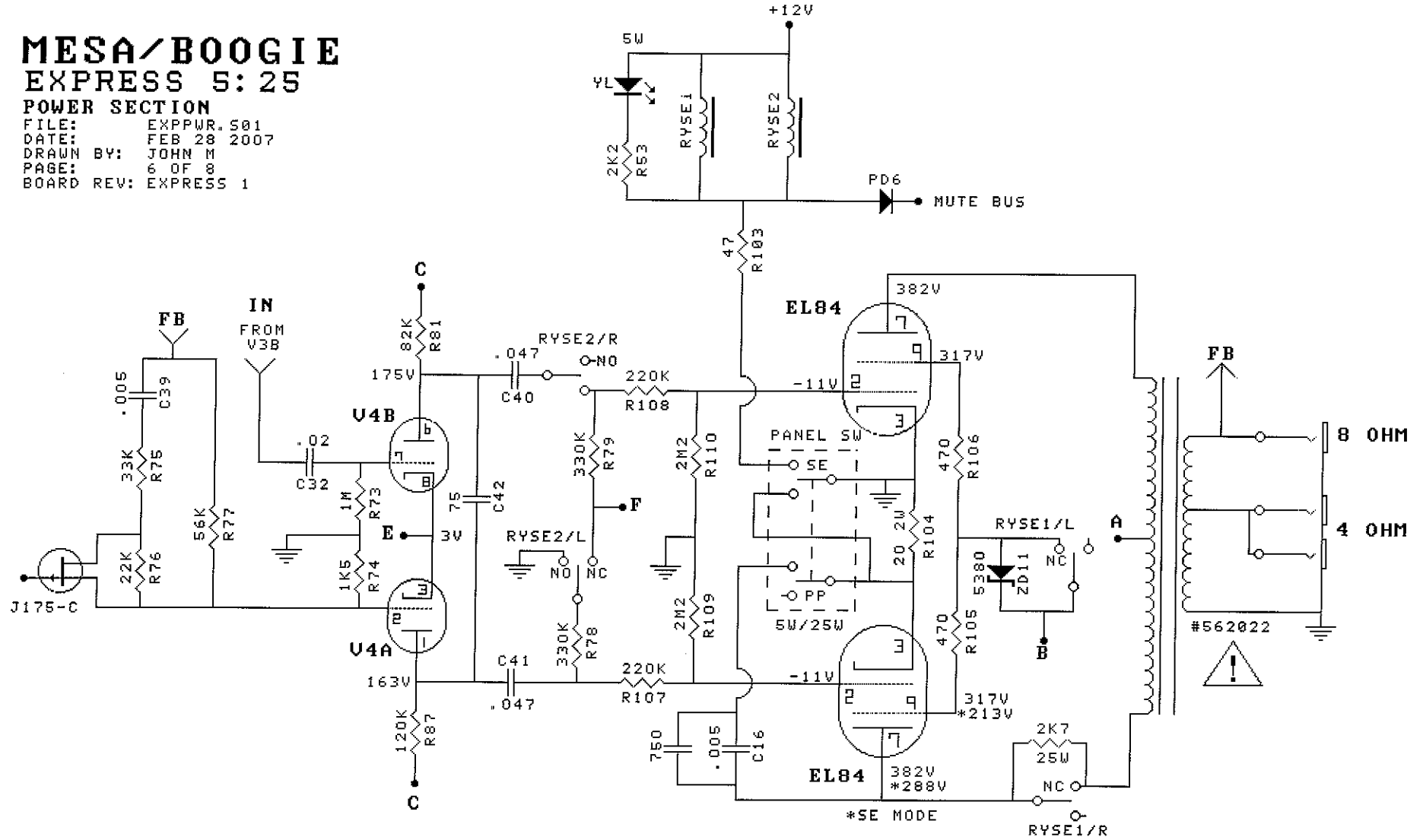
CONTOUR/LOOP

FILE: EXPLP.501
 DATE: FEB 28 2007
 DRAWN BY: JOHN M
 PAGE: 5 OF 8
 BOARD REV: EXPRESS 1



MESA/BOOGIE EXPRESS 5:25

POWER SECTION
 FILE: EXPPWR.501
 DATE: FEB 28, 2007
 DRAWN BY: JOHN M
 PAGE: 6 OF 8
 BOARD REV: EXPRESS 1



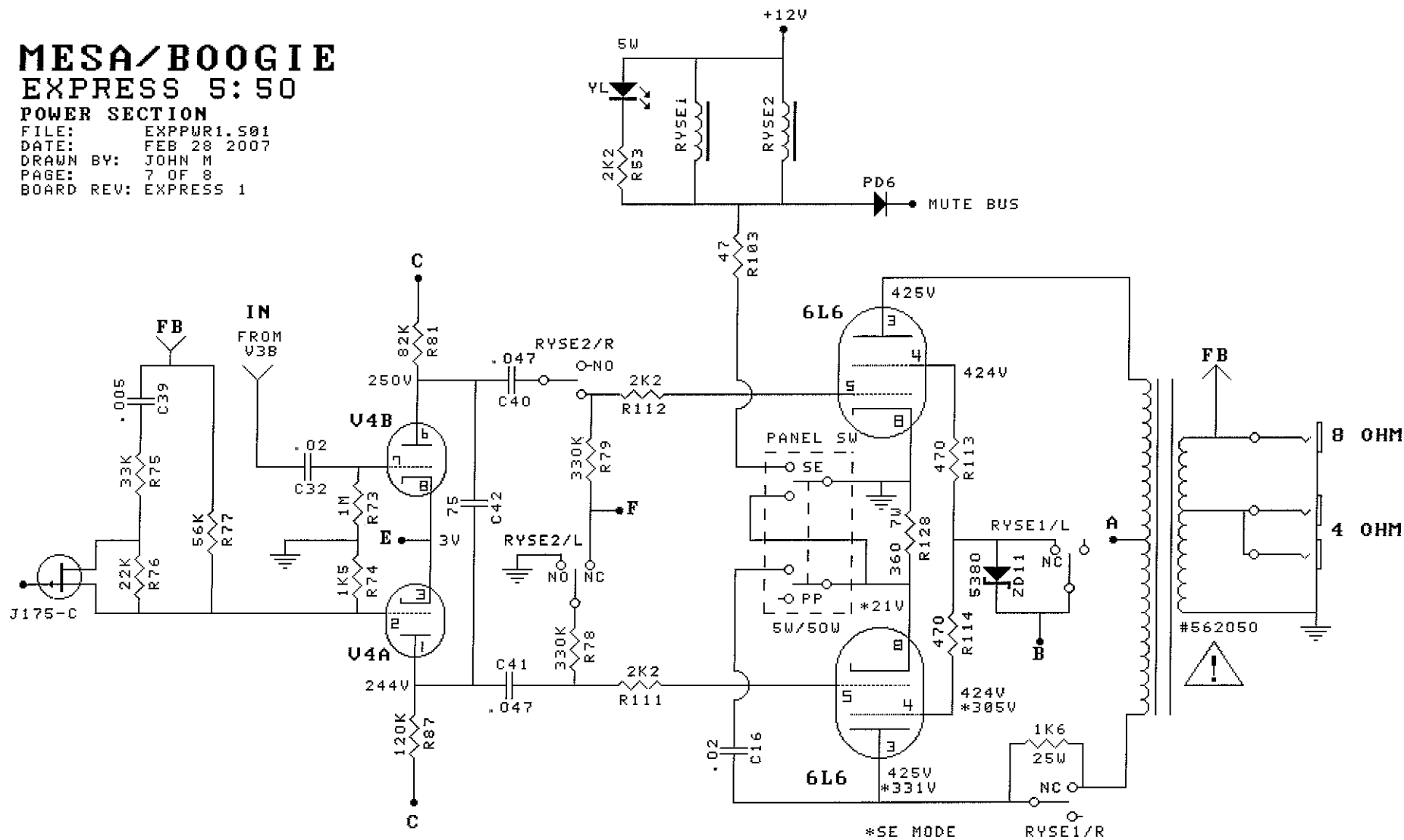
DYNA-WATT POWER
 PATENT# 4,713,624

PUSH/PULL-SINGLE ENDED SWITCHING
 PATENT GRANTED/NOT YET ISSUED

MESA/BOOGIE EXPRESS 5:50

POWER SECTION

FILE: EXPPMR1.501
 DATE: FEB 28 2007
 DRAWN BY: JOHN M
 PAGE: 7 OF 8
 BOARD REV: EXPRESS 1



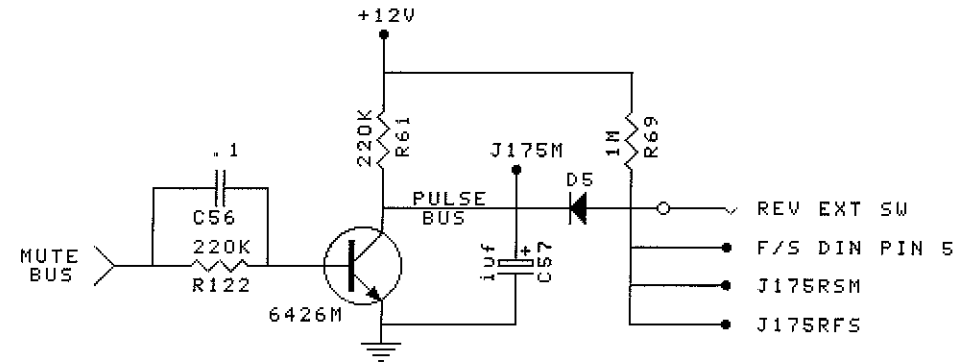
PUSH/PULL-SINGLE ENDED SWITCHING
 PATENT GRANTED/NOT YET ISSUED

MESA/BOOGIE

EXPRESS 5:25, 5:50

SWITCH MATRIX

FILE: EXPSW1.S01
 DATE: FEB 28 2007
 DRAWN BY: JOHN M
 PAGE: 8 OF 8
 BOARD REV: EXPRESS 1



MUTE CIRCUIT
 PATENT #6,621,907

