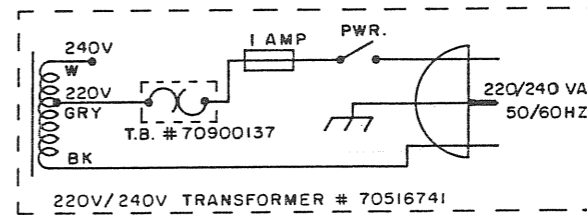
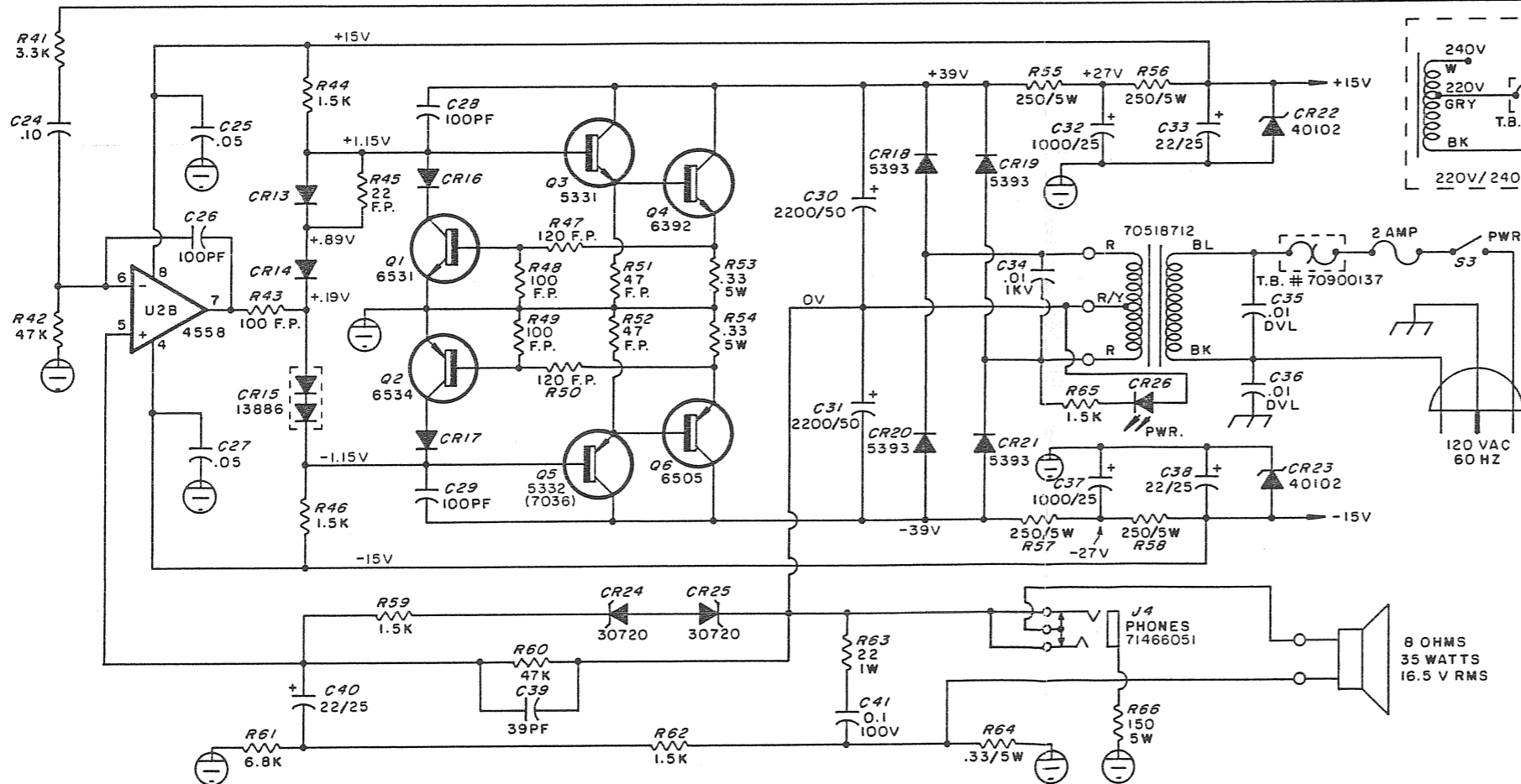
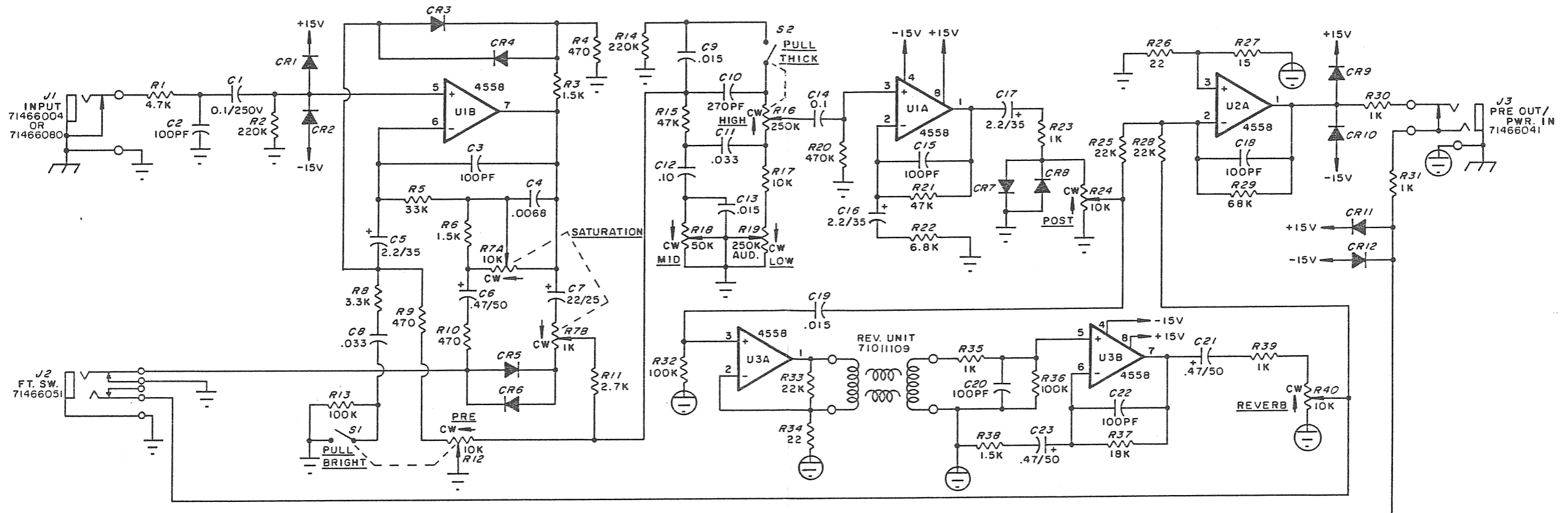


BACKSTAGE PLUS



BACKSTAGE PLUS

BD. # 98850200 (9/7/83)

NOTES

- ALL POTS ARE LINEAR UNLESS NOTED
- ALL RESISTORS 1/4W UNLESS NOTED
- ALL RESISTORS IN OHMS UNLESS NOTED
- ALL CAPACITORS IN MFD UNLESS NOTED
- ALL DIODES IN4148 UNLESS NOTED
- LAST REF. DESIGNATOR USED:
- R66 C41 CR25 S3 J4 Q6

PEAVEY ELECTRONICS CORP. MERIDIAN, MS.	
DRAWN BY <i>RES</i>	DATE 11/1/83
C.B. CK. <i>RES</i>	
CK. BY <i>JGoss</i>	
APPR. BY <i>JGoss</i>	