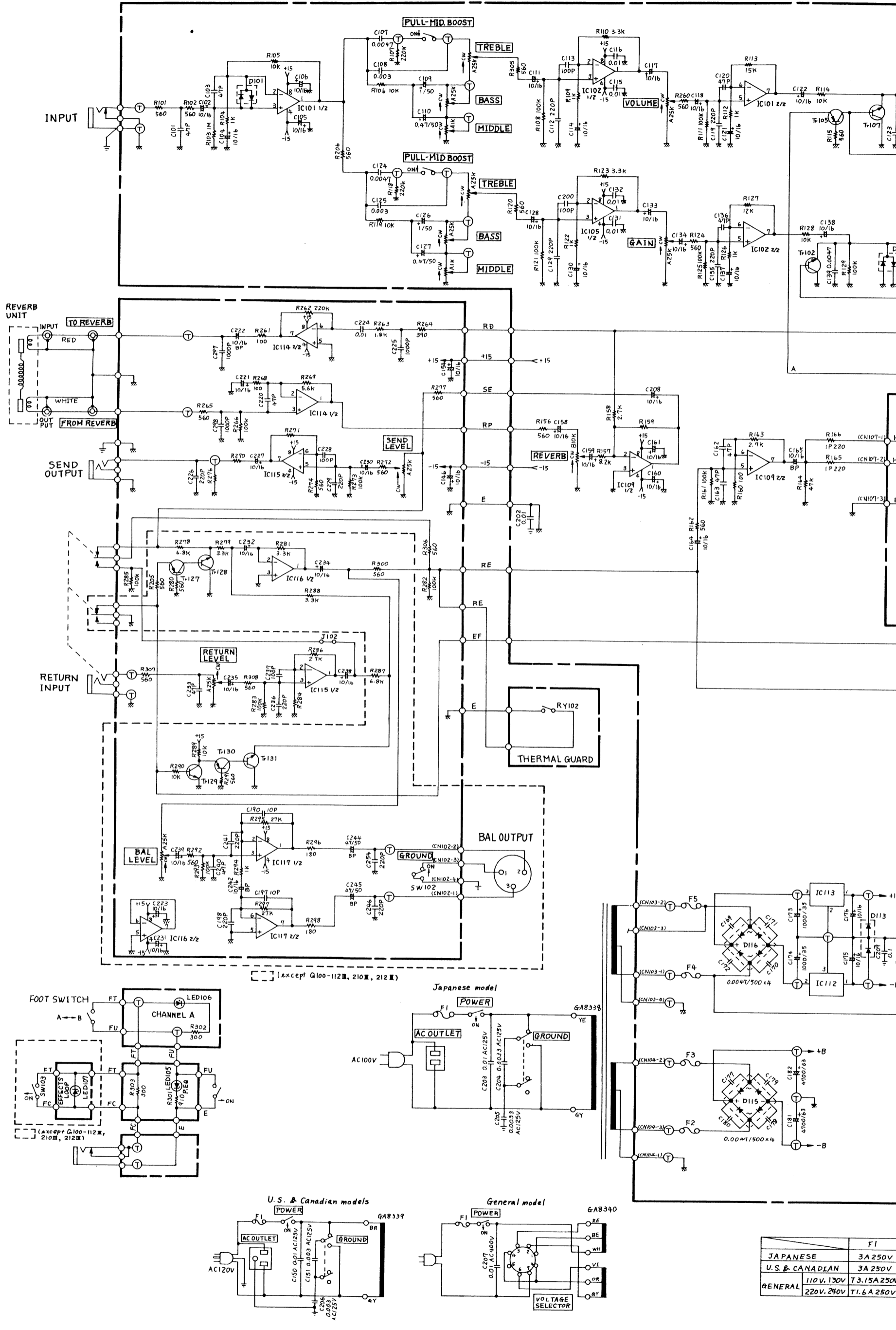


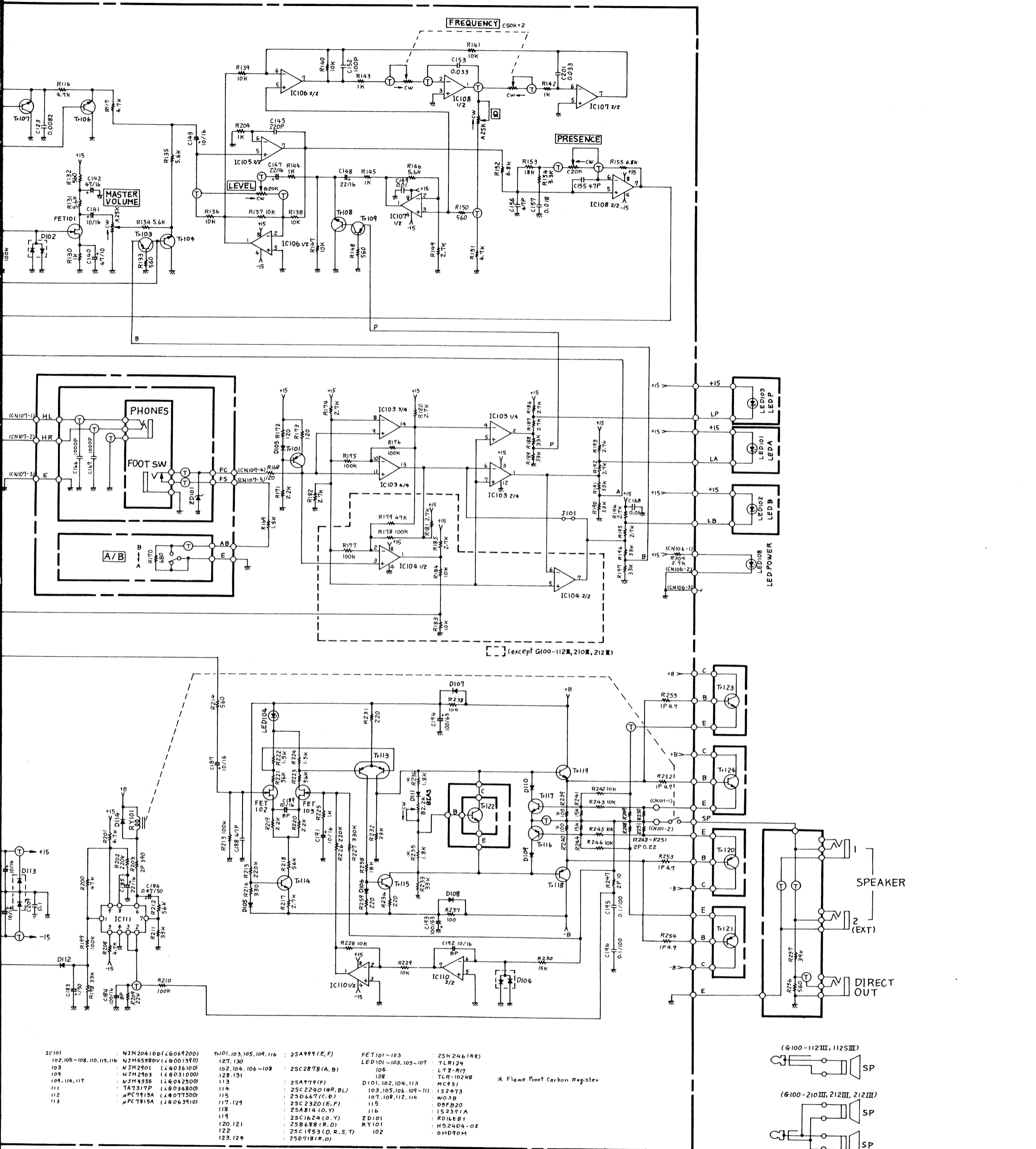
# SCHEMATIC DIAGRAM (総回路図)



- WIRE COLOR ABBREVIATIONS
- |            |             |             |               |
|------------|-------------|-------------|---------------|
| BL ▶ Black | OR ▶ Orange | VI ▶ Violet | BE ▶ Blue     |
| BR ▶ Brown | YE ▶ Yellow | GY ▶ Gray   | SB ▶ Sky Blue |
| RE ▶ Red   | GR ▶ Green  | WH ▶ White  | PK ▶ Pink     |

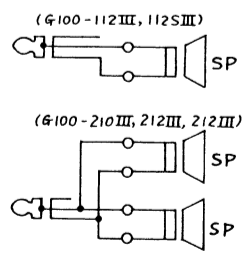
\* Schematic diagram is subject to change without notice.  
 ※本回路図は標準回路図です。改良のため予告なく変更することがあります。

	F1
JAPANESE	3A 250V
U.S. & CANADIAN	3A 250V
GENERAL	110V, 130V T3.15A 250V 220V, 240V T1.6A 250V



(except G100-112III, 210III, 212III)

IC101	NIN2041DD(±6069200)	T101, 103, 105, 109, 116	2SA999 (E, F)	FET101-103	2SK246 (GR)
102, 105-108, 110, 115, 116	NJM4558DV(±6001380)	127, 130		LED101-103, 105-107	TLR124
103	NJM2901 (±6036100)	102, 109, 106-108	2SC2878 (A, B)	104	LTZ-R17
104	NJM2903 (±6031000)	128, 131		108	TLR-102KB
109, 114, 117	NJM4356 (±6042500)	113	2SA179 (F)	D101, 102, 104, 113	MC931
111	TA7317P (±6034800)	114	2SC2240 (R, BL)	103, 105, 106, 109-111	1S2473
112	μPC7915A (±6077500)	115	2SD667 (C, D)	107, 108, 112, 114	W03B
113	μPC7815A (±6063910)	117, 129	2SC2320 (C, F)	115	D5FB20
		118	2SA814 (O, Y)	119	1S2371A
		120, 121	2SC1624 (O, Y)	ZD101	RD16EB1
		122	2SB698 (R, O)	RY101	HS2404-OE
		123, 124	2SC1953 (O, R, S, T)	102	0HD90M
			2SD718 (R, O)		



	JAPANESE	U. S.	CANADIAN	GENERAL
G100-112III	JA3113	JA3113A	JA3113	JA3113
112SIII	—	JA3112	JA3112	JA3112
210III	—	JA2529A x 2	JA2529 x 2	JA2529 x 2
212III	JA3111 x 2	JA3111A x 2	JA3111 x 2	JA3111 x 2
212SIII	—	JA3113 x 2	JA3113 x 2	JA3113 x 2

F1	F2, F3	F4, F5
3A250V	4A250V	1A250V
3A250V	4A250V	1A250V
T3.15A250V	T3.15A250V	T500mA250V
T1.6A250V	T3.15A250V	T500mA250V

	J101	J102	R159	R270	R271	R274	R276	R282	R284	R285	R303	R306
G100-112SIII/212SIII	X	X	1.8k	1k	J	X	1.8k	X	560	X	X	X
G100-112III/210III/212III	O	O	560	560	2.7k	O	100k	O	2.7k	O	O	O

O: Installed  
X: Not installed