

US Music / Randall

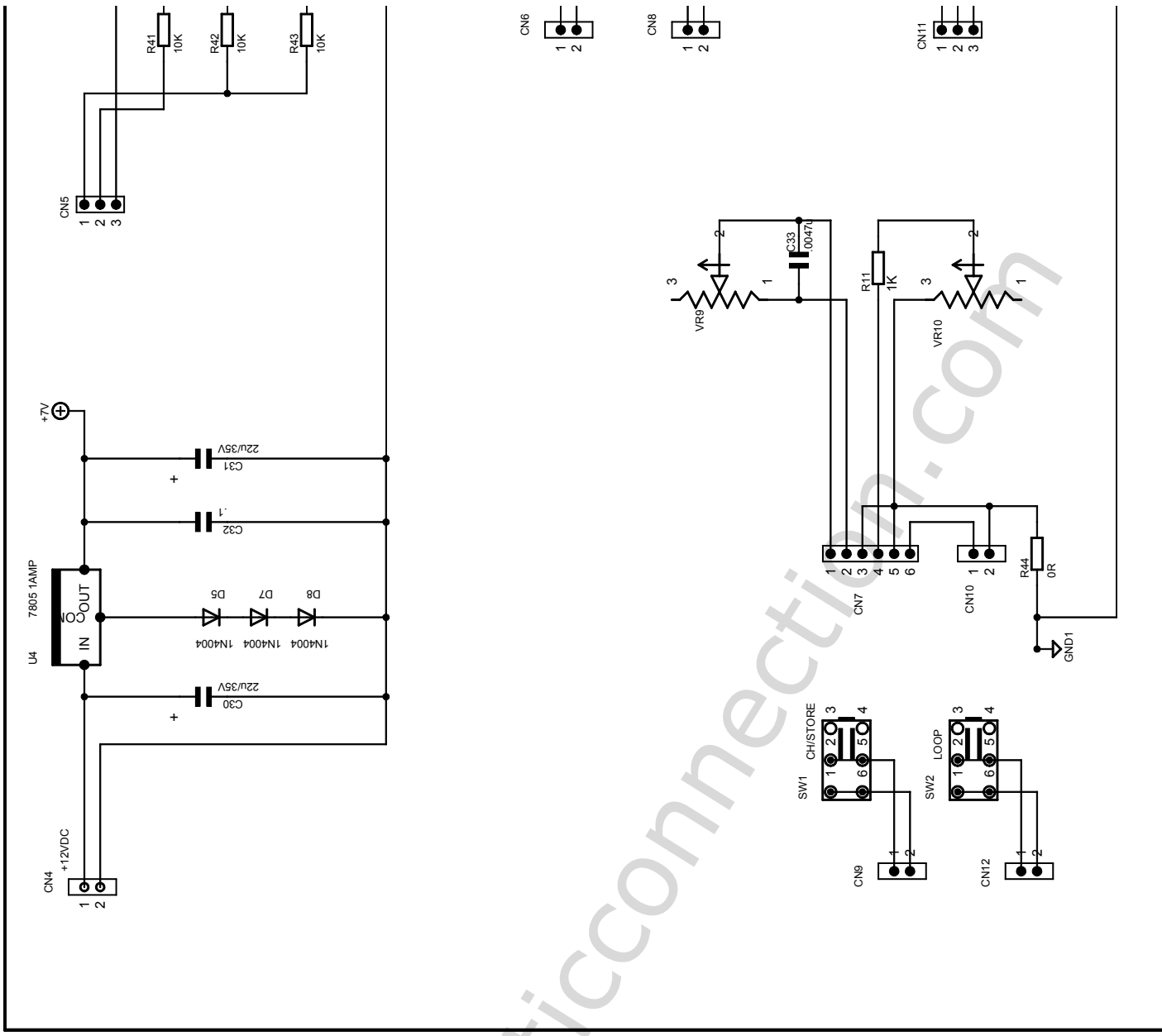
TITLE: T2pre_tube

Document Number: 200-100A

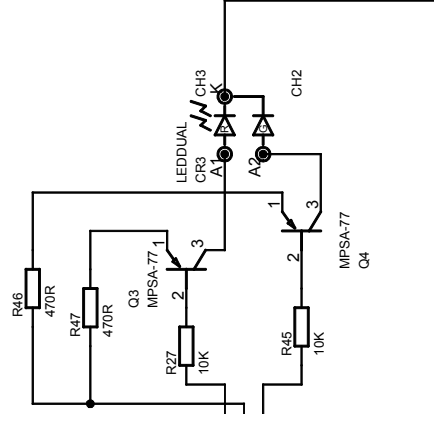
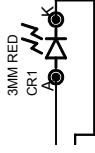
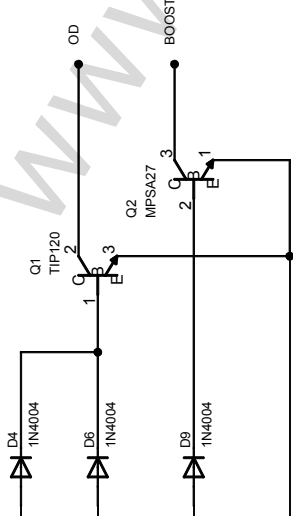
REV: 1.00

Date: 12/01/2005 04:26:33p

Sheet: 1/2



MUTE



US Music / Randall

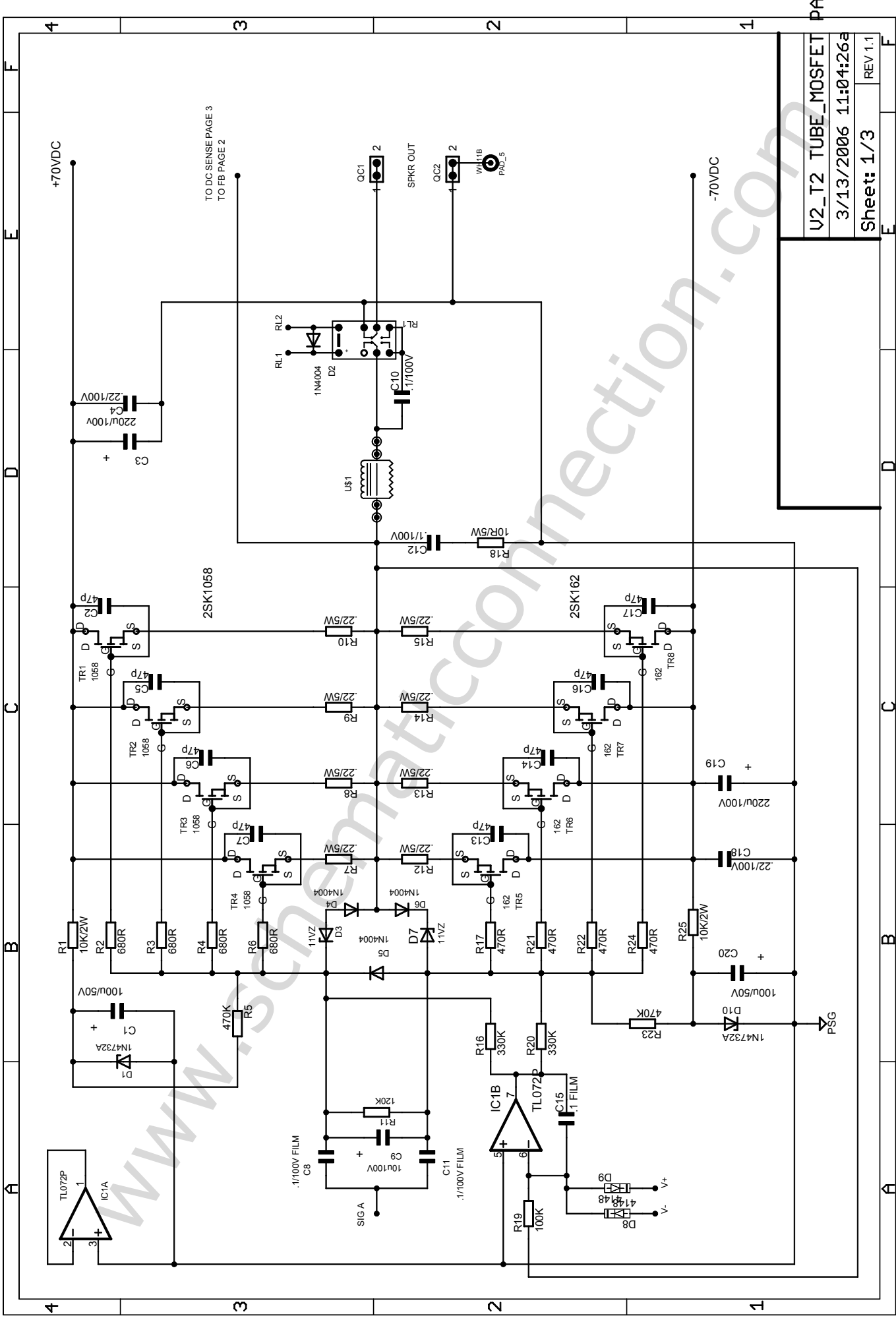
TITLE: T2pre_tube

Document Number: 200-101A

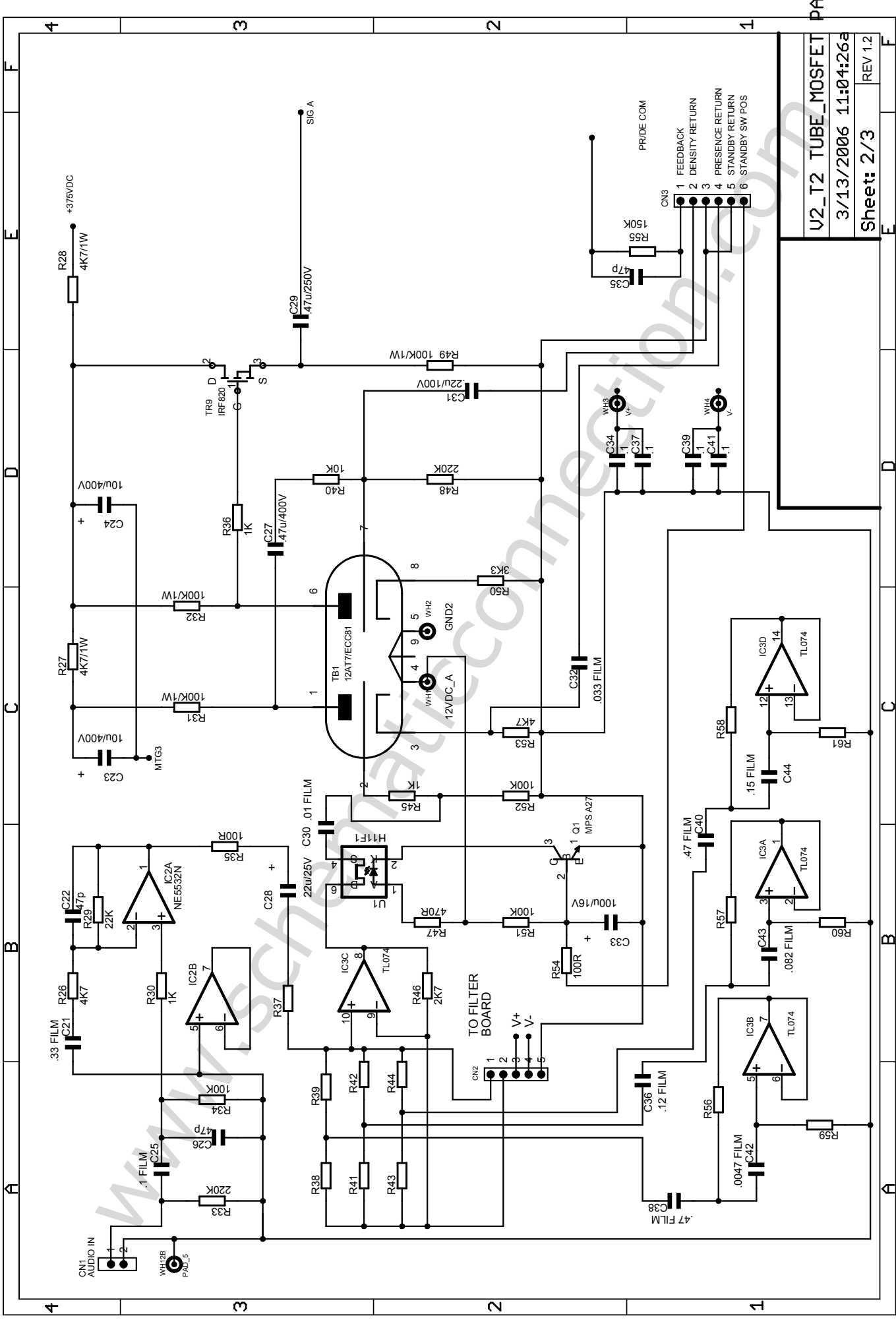
REV: 1.00

Date: 12/01/2005 04:26:33p

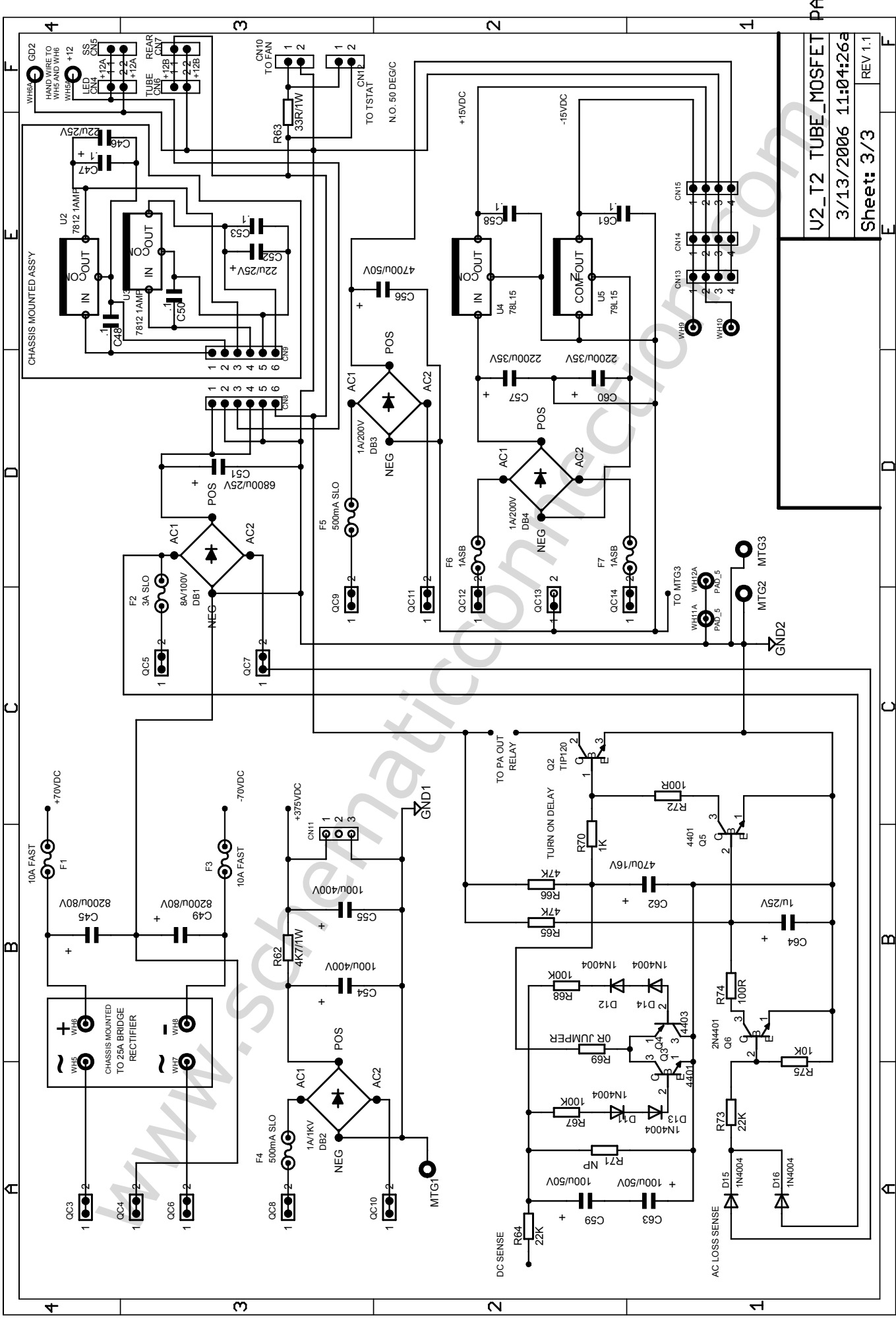
Sheet: 2/2



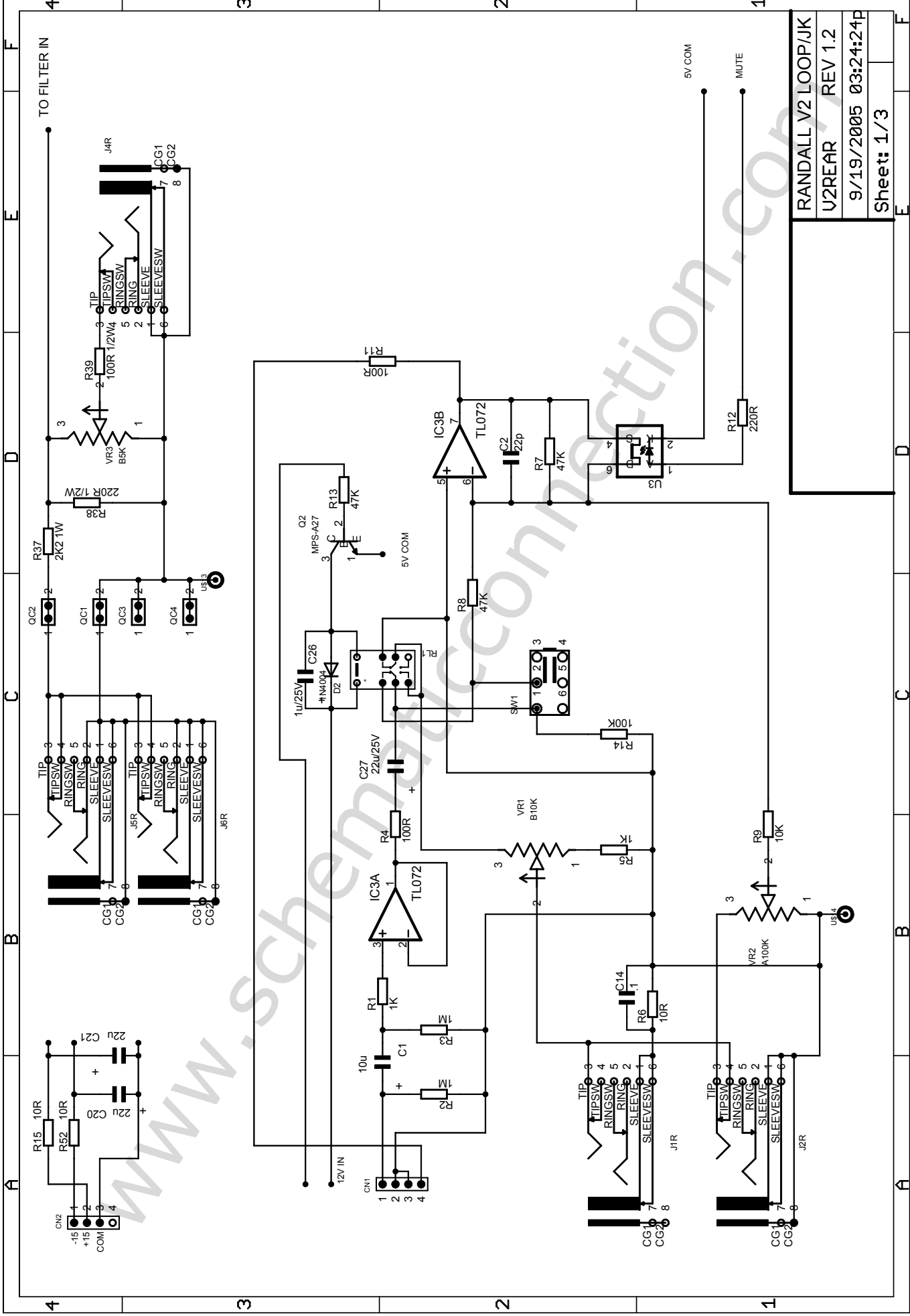
V2_T2 TUBE_MOSFET PA
3/13/2006 11:04:26a
Sheet: 1/3
REV 1.1



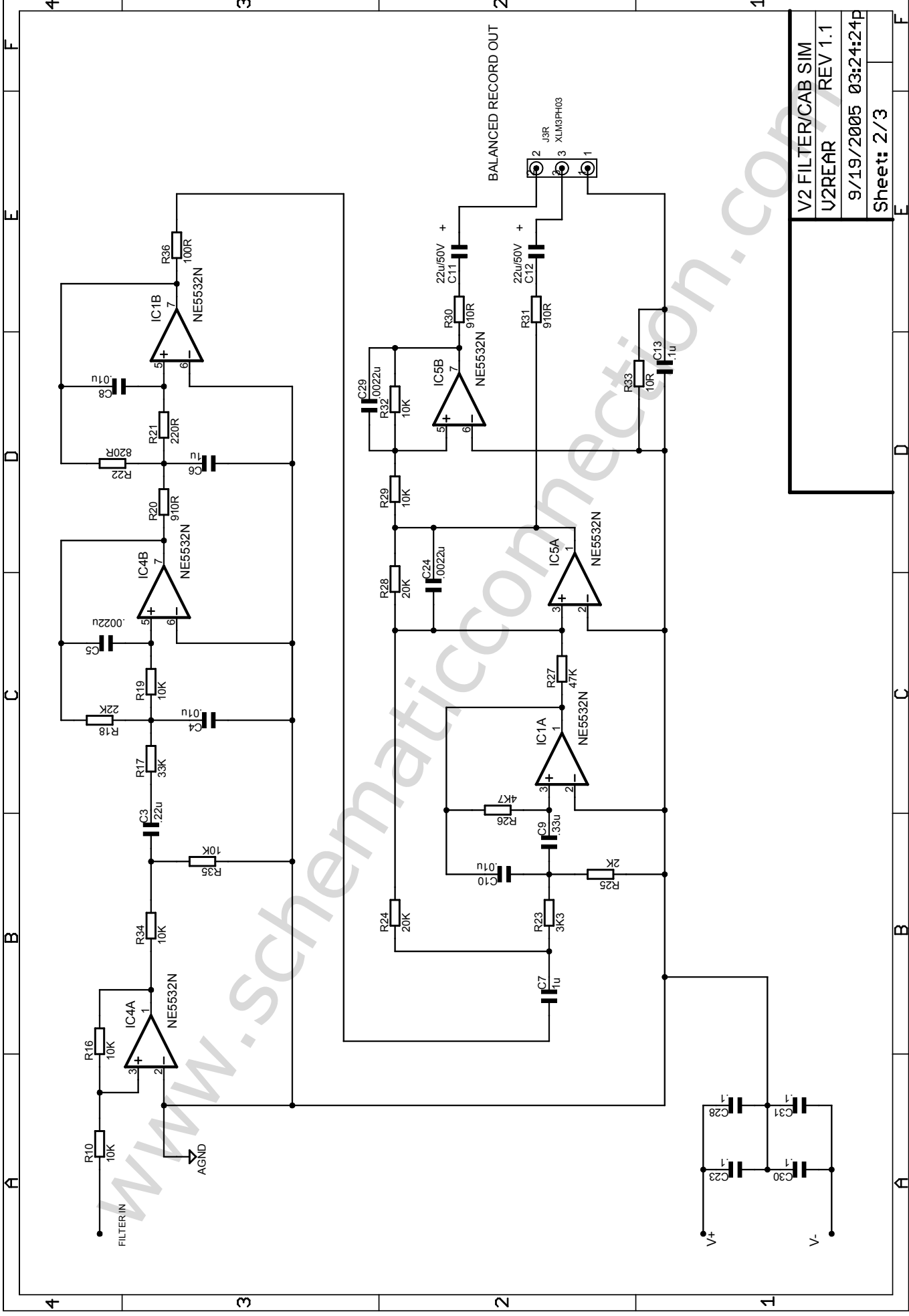
V2_I2 TUBE_MOSFET PA
 3/13/2006 11:04:26a
 Sheet: 2/3 REV 1.2



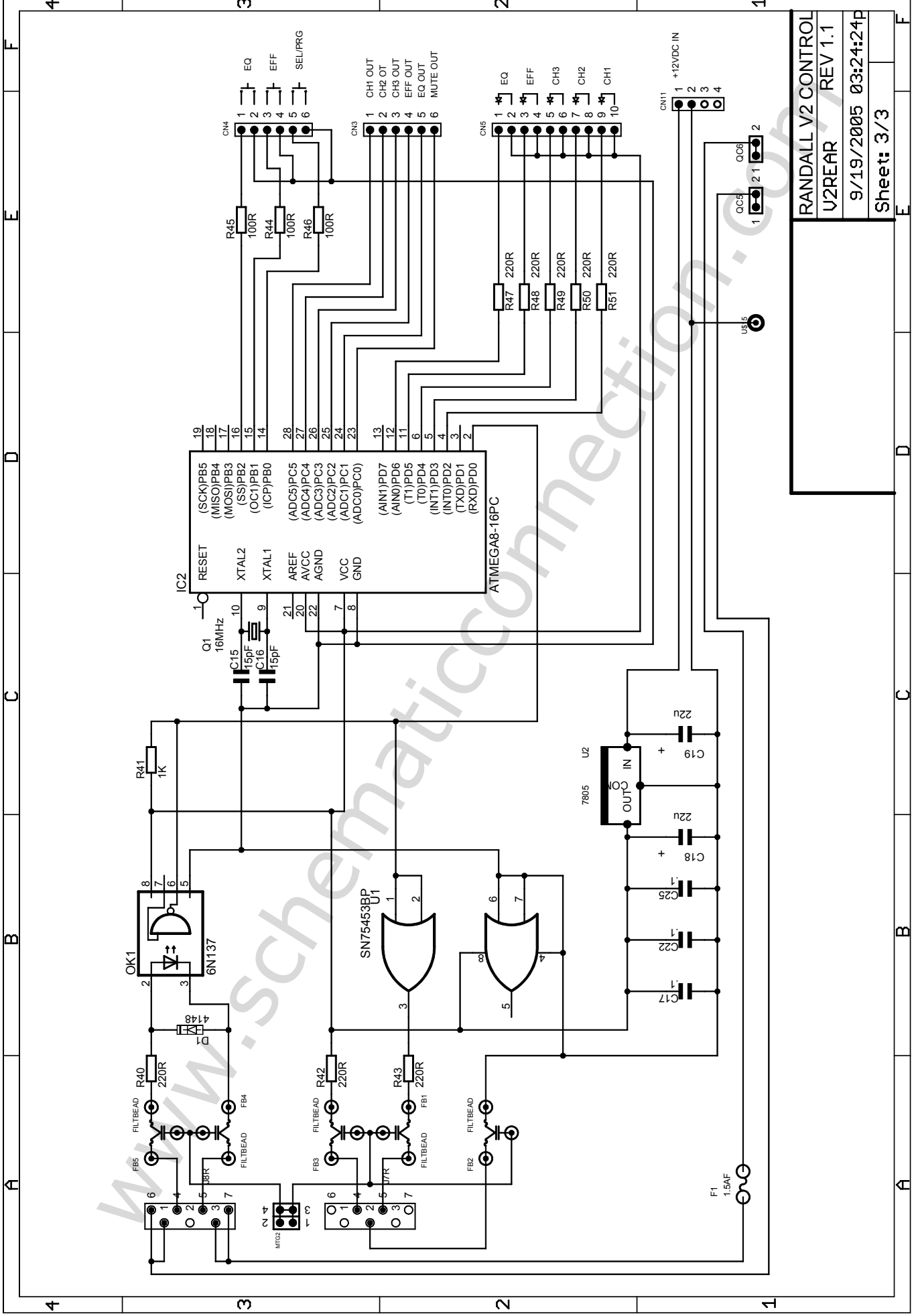
V2_I2 TUBE_MOSFET PA
 3/13/2006 11:04:26a
 Sheet: 3/3
 REV 1.1



RANDALL V2 LOOP/JK
 V2REAR REV 1.2
 9/19/2005 03:24:24P
 Sheet: 1/3



V2 FILTER/CAB SIM
V2REAR REV 1.1
9/19/2005 03:24:24P
Sheet: 2/3



RANDALL V2 CONTROL	
V2REAR REV 1.1	
9/19/2005 03:24:24P	
Sheet: 3/3	