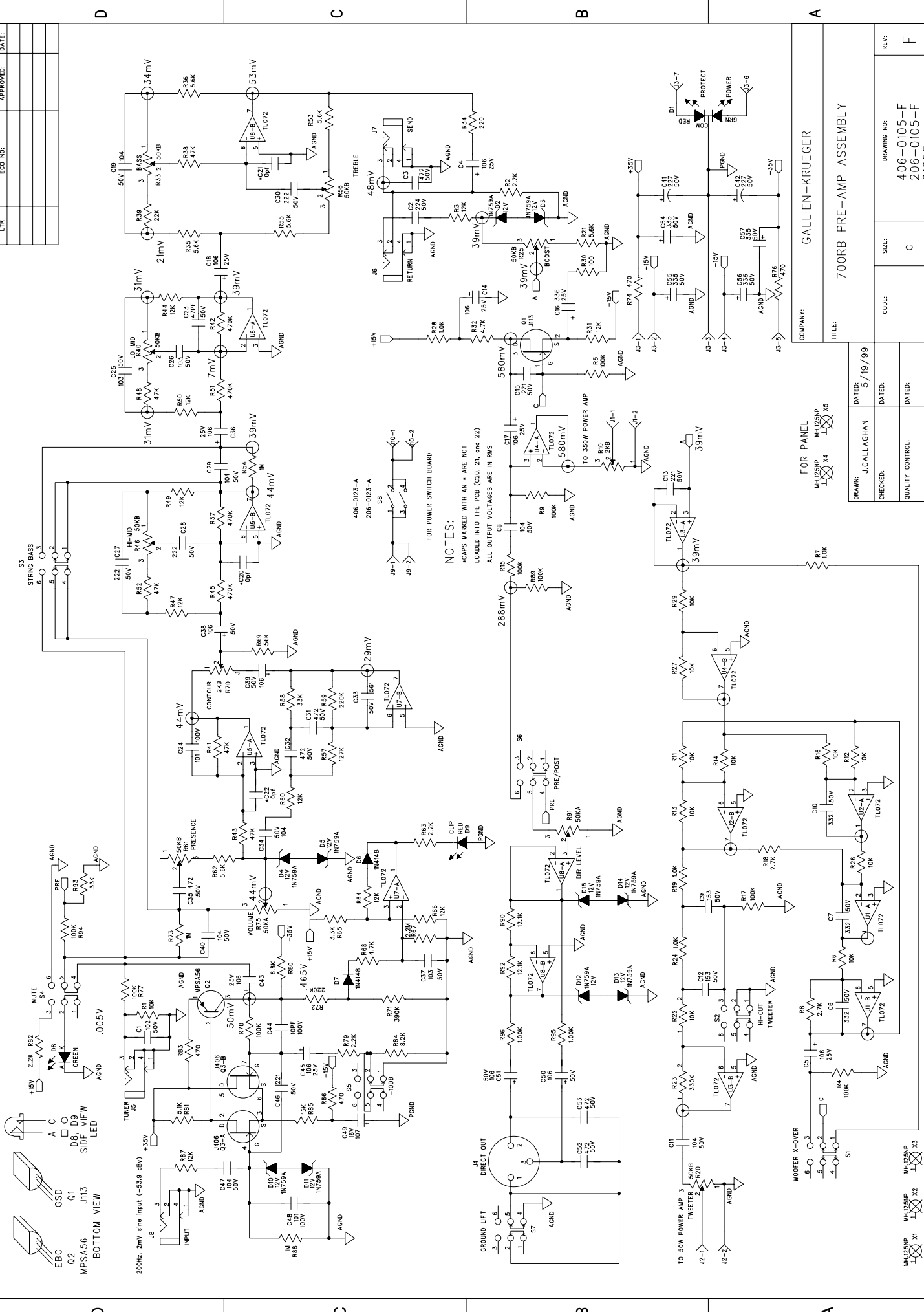


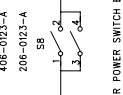
1  
2  
3  
4  
5  
6

REVISION RECORD	
LTR	ECO NO:
	APPROVED:
	DATE:



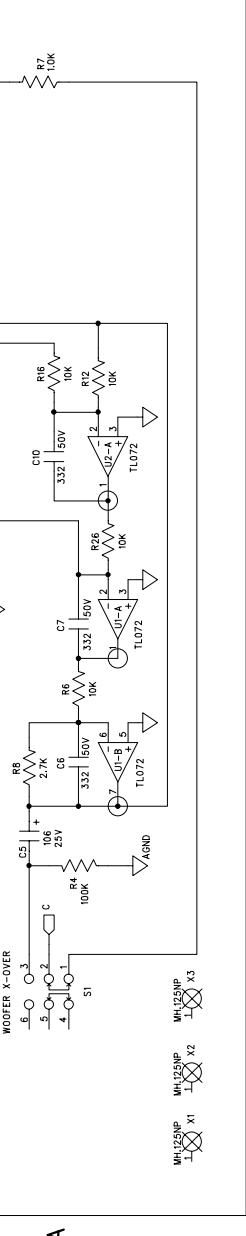
**NOTES:**

- \*CAPS MARKED WITH AN \* ARE NOT LOADED INTO THE PCB (C20, 21, and 22)
- ALL OUTPUT VOLTAGES ARE IN RMS



COMPANY: GALLIEN-KRUEGER	
TITLE: 700RB PRE-AMP ASSEMBLY	
DRAWN: J.CALLAGHAN	DATED: 5/19/99
CHECKED:	DATED:
QUALITY CONTROL:	DATED:
RELEASED:	DATED:
CODE: C	SIZE: C
DRAWING NO: 406-0105-F	REV: F
6105F	
SHEET: 1	OF 1

FOR PANEL	
MULTISNP 1	MULTISNP 4
MULTISNP 1	MULTISNP 5
MULTISNP 1	MULTISNP X1
MULTISNP 1	MULTISNP X2
MULTISNP 1	MULTISNP X3



REVISION RECORD	
LTR	APPROVED:
ECO NO:	DATE:

1

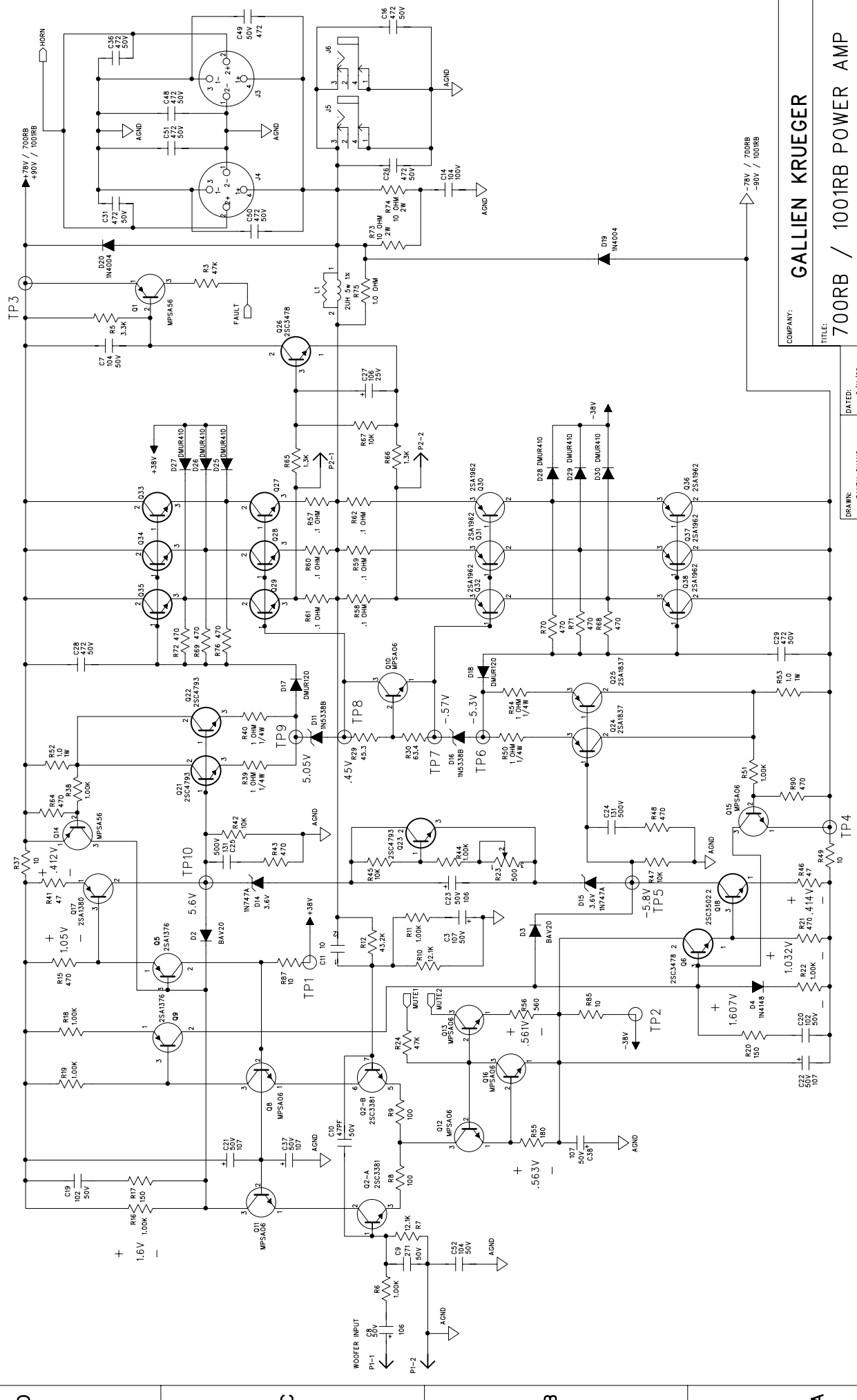
2

3

4

5

6



COMPANY: <b>GALLIEN KRUEGER</b>	
TITLE: <b>700RB / 1001RB POWER AMP</b>	
DRAWN: SANDY CHANG	DATE: 2/11/89
CHECKED:	DATE:
QUALITY CONTROL:	DATE:
RELEASED:	DATE:
CODE: <b>6104F</b>	SIZE: <b>C</b>
DRAWING NO: <b>406-0104-F</b>	REV: <b>F1</b>
PART NO: <b>206-0104-F</b>	SCALE: <b>1 OF 2</b>

BIAS ADJUSTMENT PROCEDURE:  
 WITH POWER OFF, ADJUST POT R23 TO FULL COUNTER-CLOCKWISE POSITION.  
 TURN ON POWER AND WAIT 5 SECONDS FOR TURN ON DELAY.  
 TURN R23 CLOCKWISE UNTIL VOLTAGE ACROSS P2 READS 5 mVDC.

COMPANY: <b>GALLIEN KRUEGER</b>		TITLE: <b>700RB / 1001RB POWER AMP</b>	
DRAWN: SANDY CHANG	DATE: 2/11/99	CHECKED:	DATE:
QUALITY CONTROL:	DATE:	RELEASED:	DATE:
CODE: <b>6104F</b>	SIZE: <b>C</b>	DRAWING NO: <b>406-0104-F</b>	REV: <b>F1</b>
SCALE:		PART NO: <b>206-0104-F</b>	
SHEET 2 OF 2			

