



PERFORMER 1000 SERVICE MANUAL

APRIL 1993

120V 0226800000
230V 0226860000
100V 0226870000

NOTICE:

The information contained herein is CONFIDENTIAL and PROPRIETARY to Fender Musical Instruments. It is disclosed solely for use by qualified technicians for purposes of equipment maintenance and service. It is not to be disclosed to others without the express permission of Fender Musical Instruments. All specifications subject to change without notice.

A coded naming convention is used in the description of certain parts. The codes and what they mean follow:

CAPACITOR CODES

CAP AE = Aluminum Electrolytic
CAP CA = Ceramic Axial
CAP CD = Ceramic Disk
CAP MPF = Metalized Polyester Film
CAP MY = Mylar
CAP PF = Polyester Film

RESISTOR CODES

RES CC = Carbon Comp
RES CF = Carbon Film
RES FP = Flame Proof
RES MF = Metal Film
RES WW = Wire Wound

HARDWARE CODES

BLX = Black Oxide
CR = Chrome Plated
HWH = Hex Washer Head
M = Machine Screw
NI = Nickel Plated
OHP = Oval Head Phillips
PB = Particle Board
PHP = Pan Head Phillips
PHPS = Pan Head Phillips Sems
SMA = Sheet Metal "A" point
SMB = Sheet Metal "B" point
SS = Stainless Steel
TF = Thread Forming
ZI = Zinc Plating

NOTICE:

Parts marked with an asterick (*) indicate the required use of that specific part. This is necessary for RELIABILITY and SAFETY requirements. **DO NOT USE A SUBSTITUTE!**



PERFORMER 1000

PARTS LIST

PRINTED CIRCUIT BOARD ASSEMBLY

QTY	PART #	DESCRIPTION	REFERENCE	DESIGNATION
1	040260	PCB ASSY PERFORMER 1000	(STUFFED)	
1	031910	BREAKER THERMAL 15A 155/195DEG	TH1	
3	028104	BUTTON PUSH SWITCH BLACK	S1-3	
1	028577	CABLE ASSY REVERB 30"	P1-4	
2	029719	CABLE FLAT 5 CKT 10"	P9,10	
1	037943	CAP AE RDL .33 μ F 50V 20%	C52	
5	038689	CAP AE AX .47 μ F 100V 20%	C20,22,39,40,44	
1	038690	CAP AE AX 1.0 μ F 100V 20%	C1	
3	026517	CAP AE AX 2.2 μ F 50V 20%	C9,50,76	
1	028459	CAP AE RDL 2.2 μ F 50V 20%	C48	
1	028460	CAP AE RDL 4.7 μ F 50V 20%	C51	
1	038692	CAP AE AX 10 μ F 35V 20%	C62	
6	025960	CAP AE AX 22 μ F 16V 20%	C10,12,38,42,55,61	
1	028465	CAP AE RDL 22 μ F 25V 20%	C56	
4	028471	CAP AE RDL 47 μ F 50V 20%	C53,54,73,74	
2	025787	CAP MINI AE 100 μ F 16V NP	C57,58	
2	031756	CAP AE 4700 μ F 50V 20%	C71,72	
1	038873	CAP CA 22pF 100V 5%	C47	
1	039256	CAP CA 68pF 100V 5%	C37	
3	038699	CAP CA 100pF 100V 5%	C8,23,45	
1	038700	CAP CA 390pF 50V 5%	C4	
4	038701	CAP CA 470pF 50V 5%	C18,19,31,49	
1	038874	CAP CA 560pF 50V 5%	C27	
3	039263	CAP CA 1000pF 100V 5%	C7,26,75	
1	039264	CAP CA 1500pF 100V 5%	C33	
1	039265	CAP CA 2200pF 100V 5%	C43	
1	039266	CAP CA 3300pF 100V 5%	C11	
2	039268	CAP CA 4700pF 50V 5%	C2,3	
3	027278	CAP MPF .1 μ F 63V 10%	C32,59,60	
3	027281	CAP MPF .22 μ F 63V	C6,16,35	
4	027286	CAP MPF .47 μ F 63V	C5,17,34,63	
1	036234	CAP PFF RDL .015 μ F 100V 10%	C46	
6	033591	CAP PFF RDL .033 μ F 100V 10%	C13,14,15,30,41,64	
10	033592	CAP PFF RDL .047 μ F 100V 10%	C24,25,28,29,65-70	
1	027937	CONTROL SNAPIN 2K 15A TAPER	R14	
3	027940	CONTROL SNAPIN 50K 15A TAPER	R12,13,61	
5	027941	CONTROL SNAPIN 50K B TAPER	R22,54,60,76,85	
2	027943	CONTROL SNAPIN 50K 30C TAPER	R30,31	
1	027947	CONTROL SNAPIN 100K 30C TAPER	R57	
42	006260	DIODE 1N4448 SIGNAL BENT	CR1-9,11-24,29-32,35,36,39-42,45-47, 50,51,58-60,62	
2	064089	DIODE 1N4003	CR37,38	
4	028776*	DIODE BIAS BYV26D LEAD FORMED	CR25-28	
4	029045	DIODE 6A 400V 6A4 LEAD FORMED	CR52-55	
1	041261*	DIODE LM4040DCZ-10 TO-92	CR49	
2	027327	DIODE ZENER 1N5234B 6.2V 5%	CR33,34	



PERFORMER 1000 PARTS LIST

PRINTED CIRCUIT BOARD ASSEMBLY CONTINUED

QTY	PART #	DESCRIPTION	REFERENCE	DESIGNATION
1	027329	DIODE ZENER 1N5228B 3.9V 5%	CR44	
2	028119	DIODE ZENER 1N5353B 5W 16V 5%	CR56,57	
1	031017	DIODE ZENER 1N5223B 2.7V 5%	CR43	
1	031019	DIODE ZENER 1N5245B 15V 5%	CR48	
2	041320	DIODE ZENER 1N5341B 6.2V 5%	CR10,63	
12	025802	FSTN TAB MALE .250X.032 PCB MT	CP1-5,7-11,13,14	
2	026000	FSTN TAB MALE PCB MT .187X.032	CP6,12	
2	025996	FUSE CLIP PCB .250 & 5MM FUSE	XF1	
1	039982	FUSE QA 1-1/4X1/4 250V 4AMP	F1	(100V/120V ONLY)
1	020794	FUSE QA 20mmX5mm 250V 2AMP	F1	(220V/230V/240V ONLY)
1	031725	HEATSINK PLATE M-80		(TRANSISTOR MOUNTING)
9	016795	IC DUAL OP AMP TL072	U1-6,8-10	
1	028047	IC OP AMP MC1436	U7	
4	040903	INSULATOR MICA TO-218		(@ Q11,12,13,14)
1	011028	JACK 1/4 13E		(EXTERNAL SPEAKER JACK)
3	031570	JACK PHONE PCB STEREO PREMIUM	J1,3,5	
2	037036	JACK PHONE PCB MONO CA PREMIUM	J2,4	
47	020888	JUMPER WIRE 22GA .5X.175	W1-47	
1	040270	LED RED 5MM ROUND PC MT	LD2	
1	040271	LED RED/YELLOW	LD1	
1	040259	PCB FAB PERFORMER 1000		(RAW BOARD)
1	025818	RES CF 1/4W 4.7Ω 5%	R163	
1	024947	RES CF 1/4W 47Ω 5%	R81	
2	024956	RES CF 1/4W 220Ω 5%	R44,45	
2	024957	RES CF 1/4W 270Ω 5%	R107,110	
2	029604	RES CF 1/4W 300Ω 5%	R15,143	
2	029451	RES CF 1/4W 430Ω 5%	R62,67	
2	029609	RES CF 1/4W 910Ω 5%	R139,156	
9	024965	RES CF 1/4W 1K 5%	R24,46,52,56,71,105,106,111,129	
1	028842	RES CF 1/4W 1.1K 5%	R68	
1	024967	RES CF 1/4W 1.2K 5%	R66	
2	024969	RES CF 1/4W 1.5K 5%	R43,83	
1	029453	RES CF 1/4W 1.6K 5%	R47	
4	024971	RES CF 1/4W 2.2K 5%	R21,58,103,104	
2	024972	RES CF 1/4W 2.7K 5%	R49,69	
5	024973	RES CF 1/4W 3.3K 5%	R29,32,34,42,50	
2	024975	RES CF 1/4W 3.9K 5%	R92,117	
1	024977	RES CF 1/4W 4.7K 5%	R80	
2	028034	RES CF 1/4W 5.1K 5%	R7,73	
1	024979	RES CF 1/4W 6.8K 5%	R9	
2	025942	RES CF 1/4W 7.5K 5%	R20,28	
1	024980	RES CF 1/4W 8.2K 5%	R27	
8	024981	RES CF 1/4W 10K 5%	R2,82,128,131,132,141,153,154	
1	029539	RES CF 1/4W 13K 5%	R75	
2	024985	RES CF 1/4W 15K 5%	R4,6	
2	029006	RES CF 1/4W 20K 5%	R108,109	



PERFORMER 1000

PARTS LIST

PRINTED CIRCUIT BOARD ASSEMBLY CONTINUED

QTY	PART #	DESCRIPTION	REFERENCE	DESIGNATION
6	024987	RES CF	1/4W 22K 5%	R11,16,25,26,51,59
2	024988	RES CF	1/4W 27K 5%	R93,95
11	024993	RES CF	1/4W 47K 5%	R53,55,89-91,149,150,157, 158,164,165
1	028990	RES CF	1/4W 51K 5%	R74
1	026507	RES CF	1/4W 62K 5%	R167
6	024997	RES CF	1/4W 100K 5%	R36,65,72,77,78,122
3	025058	RES CF	1/4W 180K 5%	R17,23,35
5	025059	RES CF	1/4W 220K 5%	R19,63,79,84,166
1	025063	RES CF	1/4W 390K 5%	R171
5	025065	RES CF	1/4W 470K 5%	R64,88,124,168,169
2	028018	RES CF	1/4W 510K 5%	R5,8
2	025067	RES CF	1/4W 680K 5%	R94,125
1	025068	RES CF	1/4W 820K 5%	R142
12	025069	RES CF	1/4W 1M 5%	R1,3,48,86,87,126,130,133, 134,136,137,152
3	025073	RES CF	1/4W 1.5M 5%	R148,151,159
3	025084	RES CF	1/4W 10M 5%	R10,18,123
1	041259*	RES MF	1/4W 73.2K 1%	R145
1	041260*	RES MF	1/4W 80.6K 1%	R144
1	036202*	RES MF	1/4W 118K 1%	R146
1	016985*	RES MF	1/4W 562K 1%	R140
1	040714*	RES MF	1/4W 768K 1%	R147
3	031767	RES CF	1/2W 15Ω 5%	R70,120,121
1	026549	RES CF	1/2W 1.5K 5%	R162
1	037169	RES CF	1/2W 1.8K 5%	R138
2	026493	RES CF	1/2W 2.7K 5%	R118,155
2	037354	RES CF	1W 4.7K 5%	R101,102
2	028029	RES FILM	1W 1.5K 5%	R99,100
2	028030	RES FILM	1W 680Ω 5%	R97,98
1	028045	RES FILM	1W 220Ω 5%	R96
1	029722	RES FILM	1W 1K 5%	R127
1	028021	RES FILM	2W 470Ω 5%	R119
4	028028	RES WW BT	5W .47Ω 10%	R112-115
2	037845	RES WW BT	5W 47Ω 10%	R160,161
3	041256	RES WW	5W 470Ω 10%	R37-39
1	031703	RES WW BT	10W .22Ω 10%	R116
2	041276	RES WW BT	10W 100Ω 10%	R172,173
4	027638	SCRW TF 4-40X3/8 HWH ZI		(@ Q11-14)
6	032908	SCRW TF 6-32X3/8 PHP ZI		(PCB TO HEATSINK & TH1)
1	029167	SOCKET TUBE 9 PIN PCB MOUNT		
3	028091	SWITCH PUSH SLFLK SHORT STROKE		S1-3
1	038652	SWITCH SLIDE 4P3T		S4
1	028503*	THERMISTOR 10Ω 5AMP		TH1
1	013341	TUBE VACCUUM 7025/12XAX7		V1
.104	016420	TUBING SHRINK 1-1/2 BLK		(@ V1)



PERFORMER 1000

PARTS LIST

PRINTED CIRCUIT BOARD ASSEMBLY CONTINUED

QTY	PART #	DESCRIPTION	REFERENCE	DESIGNATION
4	028169	WSHR SHLDR NYL 5/32X1/4	Q11-14	
2	041465	XSTR FET J113	Q1,2	
6	014689	XSTR N-CH JFET J111 TO-92	Q3-8	
3	016739	XSTR NPN 2N4401 TO-92	Q9,15,16	
1	016742	XSTR PNP 2N4403 TO-92	Q10	
2	028114*	XSTR NPN TIP142 TO-218AC	Q11,12	
2	028115*	XSTR PNP TIP147 TO-218AC	Q13,14	

CHASSIS ASSEMBLY

QTY	PART #	DESCRIPTION	REFERENCE	DESIGNATION
1	040264	CHS ASSY PERFORMER 1000 120V		
1	021709	BUSHING SR .437X.062X13/32 BLK	(@ SPEAKER CABLE)	
1	026038	BUSHING SR .625X.062X37/64 BLK	(@ POWER CABLE 100V/120V)	
1	010401	BUSHING SR .625X.125X37/64 WHT 230V	(@ POWER CABLE 230V)	
1	026116	BUSHING SR .500X.063X7/16 BLK	(@ REVERB CABLE)	
1	026527	CABLE ASSY POWER W/.187 TABS	(PWR CABLE 100V/120V ONLY)	
1	026528	CABLE ASSY POWER 230V W/.187 TABS	(PWR CABLE 230V EXPORT)	
1	036479	CABLE ASSY POWER AUST.W/.187 TABS	(240V AUSTRALIA ONLY)	
1	040517	CHS PERFORMER 1000		
1	028560	END BELL XFMR 85W	(@ POWER TRANSFORMER)	
1	031726	HEATSINK BAR M-80	(COUPLER TO CHASSIS)	
12	019798	KNOB ROTARY SS		
4	028591	NUT ACORN 8-32	(TRANSFORMER MOUNT)	
1	040257	PANEL FRONT PERFORMER 1000		
1	040258	PANEL REAR PERFORMER 1000		
1	028937	SCRW TF 6-32X5/8 PHP ZI ROLOK	(PCB TO CHASSIS MOUNT)	
1	038900	SCRW TF 6-32X1/4 PHP ZI	(GROUND LUG MOUNT)	
5	028500	SCRW TF 8-32X3/4 HWH SLTD ZI	(CHASSIS TO HEATSINK MOUNT)	
1	025936	STAND OFF PCB PUSH ON NY 3/8L	(PCB MOUNT)	
1	025935	SWITCH POWER DPST	(DOMESTIC ONLY)	
1	039287	SWITCH POWER DPST .187 TAB GLOBAL	(EXPORT ONLY)	
1	026401	WSHR SHLDR FIB 3/8X5/8	(@ EXTERNAL SPEAKER JACK)	
1	027520	WSHR FLAT .380X.630 FIBER	(@ EXTERNAL SPEAKER JACK)	
1	029894	WSHR LCK INTL 3/8X.500X.022 NI	(@ EXTERNAL SPEAKER JACK)	
4	030007	WSHR LCK INTL 8X.330X.02 ZI	(TRANSFORMER MOUNT)	
1	027668	XFMR PWR 120V 85A	(120V DOMESTIC ONLY)	
1	039357	XFMR PWR EXP 230V	(100V/230V EXPORT ONLY)	



PERFORMER 1000

PARTS LIST

CABINET ASSEMBLY

QTY	PART #	DESCRIPTION	REFERENCE	DESIGNATION
1	040025	CAB ASSY STAGE 112SE		(COMPLETE CABINET)
1	022491	CLAMP CABLE NYL SCRW MNT 5/16		(@ REVERB CABLE)
4	026566	CORNER 2 HOLE W/TAB NI		(TOP REAR & BOTTOM FRONT)
2	026568	CORNER 3 HOLE NI		(BOTTOM REAR)
4	029821	EYELET RFLNGD .215 OD X.315 L		(@ REVERB PAN)
4	019276	GLIDE CABINET		(STEEL ONLY)
4	019275	GLIDE CUSHION INSERT		(RUBBER ONLY)
1	040024	GRILLE ASSY STAGE 112SE		(COMPLETE GRILLE)
1	027846	HANDLE 9.25" NO LOGO		(RUBBER ONLY. NO INSERT)
1	032524	INSERT HANDLE		(SPRING STEEL)
2	019279	HANDLE CAP 2-3/16 NI		(HANDLE MOUNT)
1	011298	NAMEPLATE FENDER SMALL		
8	021972	NUT T 10-32X3/4 STR 3 PRNG BLX		(HANDLE/SPEAKER MOUNT)
1	028055	REVERB UNIT 800Ω 8EB2C1B DN		
10	026571	SCRW CORNER MOUNTING		
4	026577	SCRW M 10-32X1 PHP BLX		(SPEAKER MOUNT)
4	022244	SCRW M 10-32X1-1/8 OHP NI		(HANDLE MOUNT)
6	036199	SCRW M 8-32X1-3/16 OHP BLX WX		(CHASSIS MOUNT)
5	029828	SCRW PB 8X3/4 PHP ZI		(REVERB PAN/CABLE CLAMP MNT)
2	018113	SCRW SMA 4X1/2 OHP BLX		(LOGO MOUNT)
4	026625	SCRW WOOD 8X1 FH		(GLIDE MOUNT)
1	040598	SPEAKER 12" 8ohm PERFORMER SERIES		
.011	027648	TAPE ALUM 6"X60 YDS		(SHIELD)
.194	029085	VELCRO STRIP LOOP 1.5" WD BLK		(FOOTSWITCH MOUNT)
.361	029086	VELCRO STRIP HOOK 1.5" WD BLK		(FOOTSWITCH MOUNT)
1.061	026570	VINYL BLACK LT WEIGHT		
6	029527	WSHR FNSH 8-5/8FLNGO BLX WX		(CHASSIS MOUNT)

FOOTSWITCH ASSEMBLY

QTY	PART #	DESCRIPTION	REFERENCE	DESIGNATION
1	040409	FTSW ASSY 3 BTTN CH/GA/RV		(COMPLETE FOOTSWITCH)
1	028895	CABLE ASSY FTSW RT ANG 12'		(FOOTSWITCH CABLE)
2	006260	DIODE 1N4448 SIGNAL BENT		CR2,3
3	031017	DIODE ZENER 1N5223B 2.7V 5%		CR1,4,5
1	028109	HSG END CUP LEFT FTSW		
1	028143	HSG END CUP RIGHT FTSW		
1	028141	HSG FTSW 3 BUTTON		
1	037036	JACK PHONE PCB MONO CA PREMIUM	J1	
3	031871	LED BI-COLOR 5mmX5mm		LD1,2,3
1	040514	PCB ASSY FTSW 3 BTTN CH/GA/RV		
1	040513	PCB FAB FTSW 3 BTTN PERFORMER		(RAW BOARD)



PERFORMER 1000 PARTS LIST

FOOTSWITCH ASSEMBLY CONTINUED

<u>QTY</u>	<u>PART #</u>	<u>DESCRIPTION</u>	<u>REFERENCE</u>	<u>DESIGNATION</u>
1	040408	PLATE TOP FTSW 3 BTTN CH/GA/RV		
1	024952	RES CF 1/4W 100Ω 5%	R1	
8	028889	SCRW SMB 6X1/4 PHP		
3	037722	SPACER RND NYL .120X.187X.680		
3	028714	SWITCH PUSH SPDT	S1,2,3	
3	031899	WSHR NYL .485X.775X.150 TK		

MISCELLANEOUS

<u>QTY</u>	<u>PART #</u>	<u>DESCRIPTION</u>	<u>REFERENCE</u>	<u>DESIGNATION</u>
1	040268	MANUAL OWNERS "PERFORMER 1000"		
1	040263	SCHEMATIC REDUCED "PERFORMER 1000" W/SERVICE DIAGRAM		





TECH NOTES

Fender Musical Instruments Corp.
7975 North Hayden Road Scottsdale, Arizona 85258

TECH NOTE # TN94 - 2

ISSUE DATE: February, 1994

ISSUED BY: C. Colaço

PAGE: 1 of 1

PRODUCT(S) AFFECTED:

PERFORMER 1000™
(All Serial numbers prior to LO-496371)

SYMPTOMS:

Ringin/Feedback/Oscillation from the Overdrive Channel under moderate volume levels.

CONDITION:

Oscillation in Overdrive Channel under the following conditions:

1. Connect a Guitar to the amplifier. Set the Guitar volume to "0".
2. Set the GAINS to "10", TREBLE to "10", BODY to "5-7", and BASS to "2-5".
3. Rotate the VOLUME to about "4". The amp should begin to oscillate.

Altering the Ground path as described below, will eliminate the oscillation.

REQUIRED ACTION:

Remove jumper W11. This will break the existing Ground path to the Input circuitry. Install a wire (24ga or larger, 1"-2" long) from the large Ground Trace at R78 to the large Ground Trace at R15. This will reconnect the Ground via a different path.

WARRANTY CLAIM INSTRUCTIONS:

The above modification should be performed on any Performer 1000 requiring service in or out of warranty. For proper labor reimbursement, please indicate Tech Note Number TN94-2 in the Authorization Code Box (Box # 12) on the Warranty Reimbursement Form. Labor reimbursement = 1/2 Hour in addition to the initial repair.





TECH NOTES

101

Fender Musical Instruments Corp.
7975 North Hayden Road Scottsdale, Arizona 85258

TECH NOTE # TN94 - 3

ISSUE DATE: May, 1994

ISSUED BY: C. Colaço

PAGE: 1 of 1

PRODUCT(S) AFFECTED:

PERFORMER 1000™

(All Serial numbers prior to LO-526106)

SYMPTOMS:

The Clean Channel and Drive Channel Volume Controls appear to be very sensitive to rotation between 1 and 4 on the knob.

CONDITION:

The original Volume Controls have a fairly steep audio taper slope. The modification changes these Controls to ones of the same value but of a more linear taper.

RECOMMENDED ACTION:

Remove the Clean Channel Volume Control (R22, 50KB).
Install P/N 027940, Control Snapin 50K 15A.

Remove the Drive Channel Volume Control (R57, 100K 30C).
Install P/N 027945, Control Snapin 100K B.

WARRANTY CLAIM INSTRUCTIONS:

The above modification is intended to enhance the overall performance of the unit, and should be performed on any Performer 1000 requiring service in or out of warranty. For proper labor reimbursement, please indicate Tech Note Number TN94-3 in the Authorization Code Box (Box # 12) on the Warranty Reimbursement Form. Labor reimbursement = 1/2 Hour.

NOTE: See Tech Note # TN94-2 and TN94-4 for additional modifications.



TECH NOTES

Fender Musical Instruments Corp.
7975 North Hayden Road Scottsdale, Arizona 85258

TECH NOTE # TN94 - 4

ISSUE DATE: May, 1994

ISSUED BY: C. Colaço

PAGE: 1 of 1

PRODUCT(S) AFFECTED:

PERFORMER 1000™

(All Serial numbers prior to LO-526106)

DESCRIPTION:

This Tech Note describes changes to the Reverb Drive and Sense circuitry. These changes are designed to enhance the sound quality of the Reverb. Specifically, an increase in the overall amount of available Reverb, a brighter Reverb, and a longer smoother decay time.

RECOMMENDED ACTION:

Remove C43 (2200pF). Install P/N 039263 Capacitor Ceramic Axial 1000pF 50V.

Remove C45 (100pF). Install P/N 038689, Capacitor Ceramic Axial 47pF 100V.

Remove R77 (10K). Install P/N 020888, Jumper Wire.

Remove R84 (220K). Install P/N 025065, Resistor Carbon Film 470K 1/4Watt.

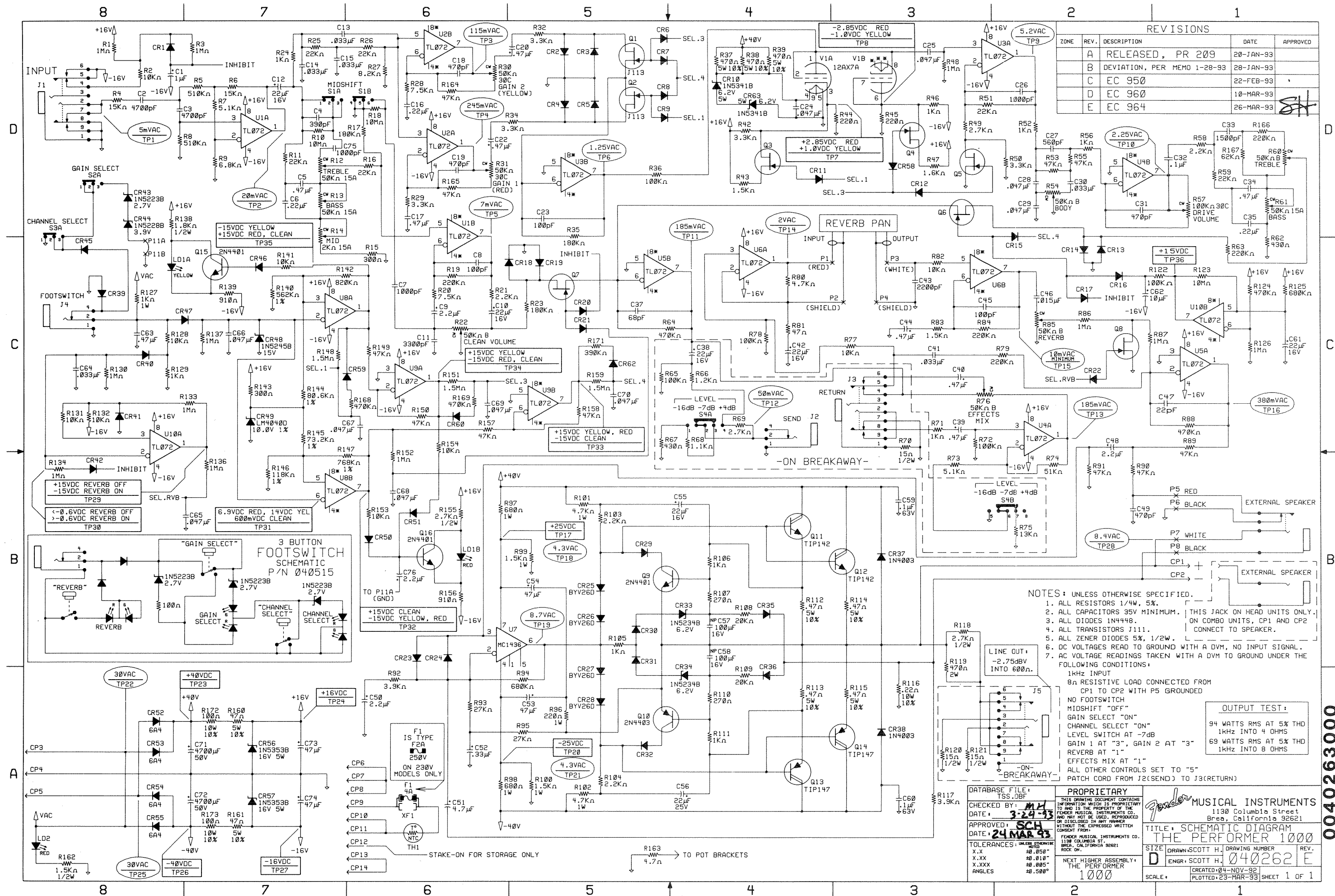
WARRANTY CLAIM INSTRUCTIONS:

The above modification is intended to enhance the overall performance of the unit, and should be performed on any Performer 1000 requiring service in or out of warranty. For proper labor reimbursement, please indicate Tech Note Number TN94-4 in the Authorization Code Box (Box # 12) on the Warranty Reimbursement Form. Labor reimbursement = 1/2 Hour.

NOTE: See Tech Note # TN94-2 and TN94-3 for additional modifications.



REVISIONS				
ZONE	REV.	DESCRIPTION	DATE	APPROVED
	A	RELEASED, PR 209	20-JAN-93	
	B	DEVIATION, PER MEMO 1-28-93	28-JAN-93	
	C	EC 950	28-FEB-93	
	D	EC 960	10-MAR-93	
	E	EC 964	26-MAR-93	<i>[Signature]</i>



NOTES: UNLESS OTHERWISE SPECIFIED.

- ALL RESISTORS 1/4W, 5%.
- ALL CAPACITORS 35V MINIMUM.
- ALL DIODES 1N4448.
- ALL TRANSISTORS J111.
- ALL ZENER DIODES 5%, 1/2W.
- DC VOLTAGES READ TO GROUND WITH A DVM, NO INPUT SIGNAL.
- AC VOLTAGE READINGS TAKEN WITH A DVM TO GROUND UNDER THE FOLLOWING CONDITIONS:
1kHz INPUT
8Ω RESISTIVE LOAD CONNECTED FROM CP1 TO CP2 WITH P5 GROUNDED
NO FOOTSWITCH
MIDSHIFT "OFF"
GAIN SELECT "ON"
CHANNEL SELECT "ON"
LEVEL SWITCH AT -7dB
GAIN 1 AT "3", GAIN 2 AT "3"
REVERB AT "1"
EFFECTS MIX AT "1"
ALL OTHER CONTROLS SET TO "5"
PATCH CORD FROM J2(SEND) TO J3(RETURN)

OUTPUT TEST:
94 WATTS RMS AT 5% THD
1KHZ INTO 4 OHMS
69 WATTS RMS AT 5% THD
1KHZ INTO 8 OHMS

DATABASE FILE: TSS.DBF CHECKED BY: DATE: 3-24-93 APPROVED: SCH DATE: 24 MAR 93 TOLERANCES: UNLESS OTHERWISE SPECIFIED: X.X ±0.05% X.XX ±0.01% X.XXX ±0.005% ANGLES ±0.500°	PROPRIETARY THIS DRAWING DOCUMENT CONTAINS INFORMATION WHICH IS PROPRIETARY TO AND IS THE PROPERTY OF THE FENDER MUSICAL INSTRUMENTS CO. AND MAY NOT BE USED, REPRODUCED OR DISCLOSED IN ANY MANNER WITHOUT THE EXPRESSED WRITTEN CONSENT FROM FENDER MUSICAL INSTRUMENTS CO. FENDER MUSICAL INSTRUMENTS CO. 1130 COLUMBIA ST. BREA, CALIFORNIA 92621 ROCK ON.	FENDER MUSICAL INSTRUMENTS 1130 Columbia Street Brea, California 92621 TITLE: SCHEMATIC DIAGRAM THE PERFORMER 1000 SIZE: DRAWN: SCOTT H. DRAWING NUMBER: REV. D ENGR: SCOTT H. 040262 E NEXT HIGHER ASSEMBLY: THE PERFORMER 1000 SCALE: CREATED: 04-NOV-92 PLOTTED: 23-MAR-93 SHEET 1 OF 1
---	--	---

0040263000

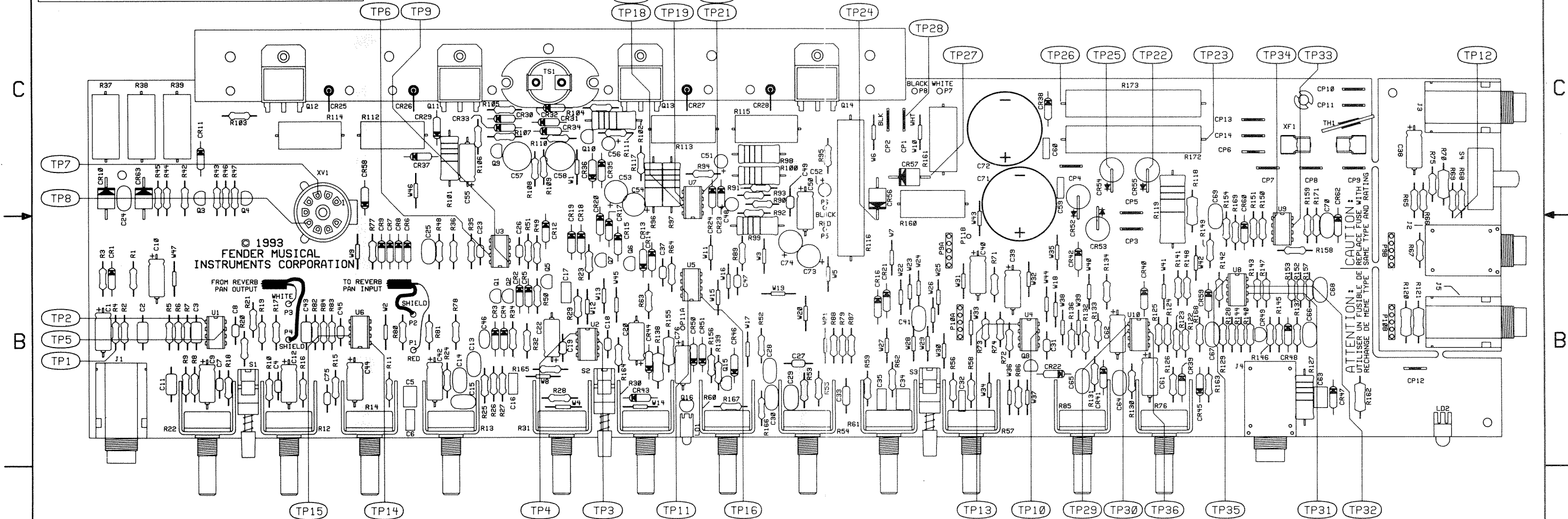
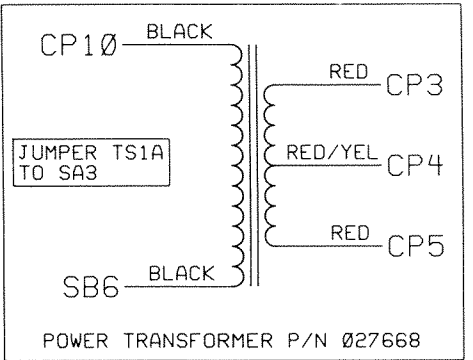
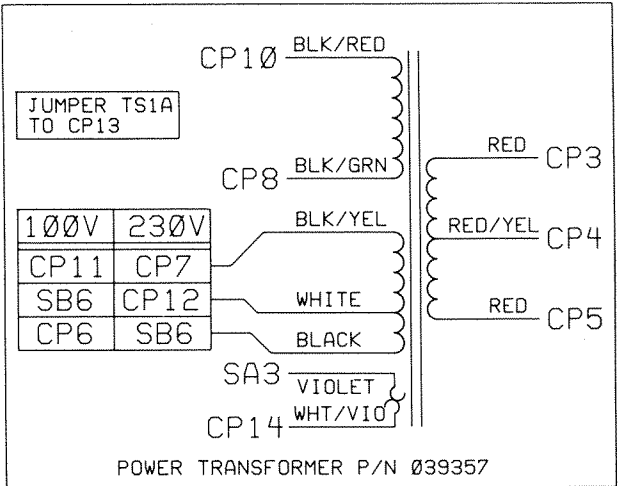
8 7 6 5 4 3 2 1

EXPORT MODELS

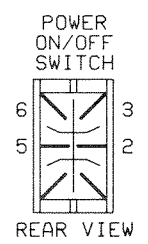
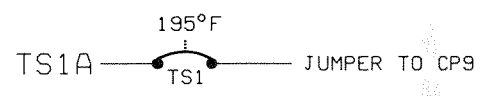
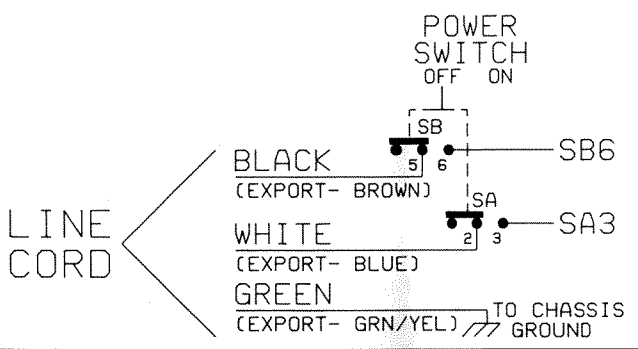
DOMESTIC MODEL

FILM/DWG: SERVICE DIAGRAM
 DATABASE: TSPSER.DBF DATE: 06-FEB-93
 LAYERS PLOTTED: 1 2 3 4 10
 15 19

REVISIONS				
ZONE	REV.	DESCRIPTION	DATE	APPROVED
	A	RELEASED, EC 950	26-FEB-93	MA



© 1993 FENDER MUSICAL INSTRUMENTS CORPORATION



DATABASE FILE: TSPSER.DBF
 CHECKED BY: MA
 DATE: 2-25-93
 APPROVED: [Signature]
 DATE: 25-FEB-93
 TOLERANCES: UNLESS OTHERWISE NOTED
 X.X ±0.050"
 X.XX ±0.010"
 X.XXX ±0.005"
 ANGLES ±0.500°

PROPRIETARY
 THIS DRAWING CONTAINS INFORMATION WHICH IS PROPRIETARY TO AND IS THE PROPERTY OF THE FENDER MUSICAL INSTRUMENTS CO. AND MAY NOT BE USED, REPRODUCED OR DISCLOSED IN ANY MANNER WITHOUT THE EXPRESSED WRITTEN CONSENT FROM:
 FENDER MUSICAL INSTRUMENTS CO.
 1130 COLUMBIA ST.
 BREA, CALIFORNIA 92621
 ROCK ON.
 NEXT HIGHER ASSEMBLY: THE PERFORMER

Fender MUSICAL INSTRUMENTS
 1130 Columbia Street
 Brea, CA 92621
 TITLE: SERVICE DIAGRAM THE PERFORMER 1000
 SIZE: DRAWN: SCOTT H. ENGR: SCOTT H.
 DRAWING NUMBER: 040261
 REV. A
 CREATED: 20-JAN-93
 PLOTTED: 06-FEB-93
 SCALE: SHEET 1 OF 1

8 7 6 5 4 3 2 1