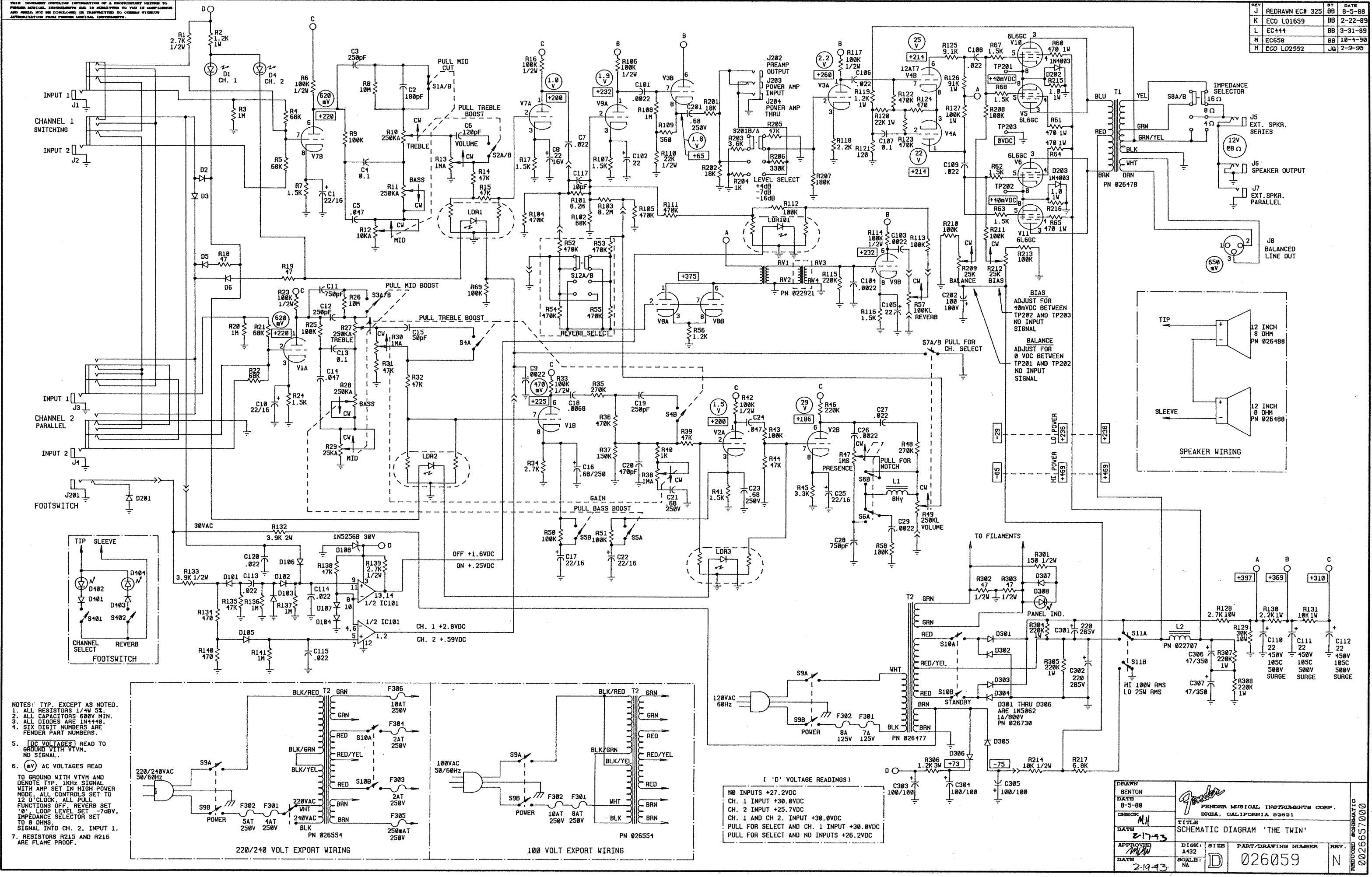
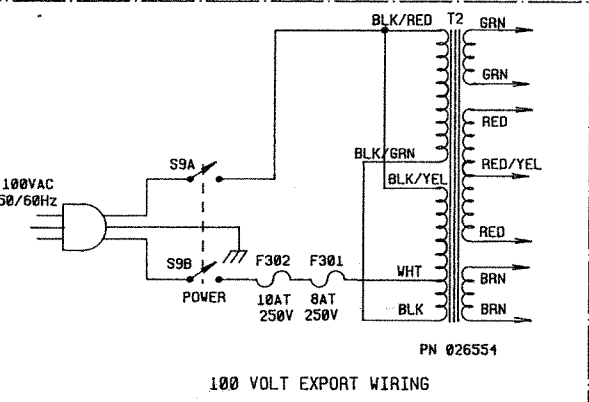
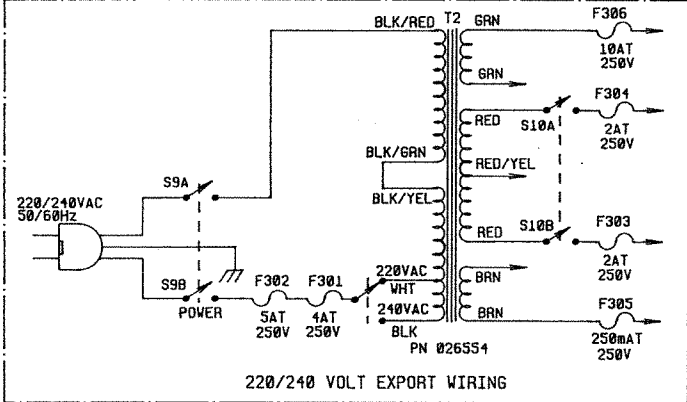


REV	BY	DATE
J	REDRAWN EC# 325	BB 8-5-88
K	ECO L01659	BB 2-22-89
L	EC444	BB 3-31-89
M	EC658	BB 10-1-90
N	ECO L02552	JG 2-9-90



- NOTES: TYP. EXCEPT AS NOTED.
1. ALL RESISTORS 1/4W 5%.
 2. ALL CAPACITORS 630V MIN.
 3. ALL DIODES ARE 1N4448.
 4. SIX DIGIT NUMBERS ARE FENDER PART NUMBERS.
 5. [DC VOLTAGES] READ TO GROUND WITH VTVM. NO SIGNAL.
 6. [mV] AC VOLTAGES READ TO GROUND WITH VTVM AND DENOTE TYP. 1KHZ SIGNAL WITH AMP SET IN HIGH POWER MODE. ALL CONTROLS SET TO 12 O'CLOCK. ALL PULL FUNCTIONS OFF. REVERB SET TO 0. LOOP LEVEL SET 7.95V. IMPEDANCE SELECTOR SET TO 8 OHMS. SIGNAL INTO CH. 2. INPUT 1.
 7. RESISTORS R215 AND R216 ARE FLAME PROOF.



(' D ' VOLTAGE READINGS)

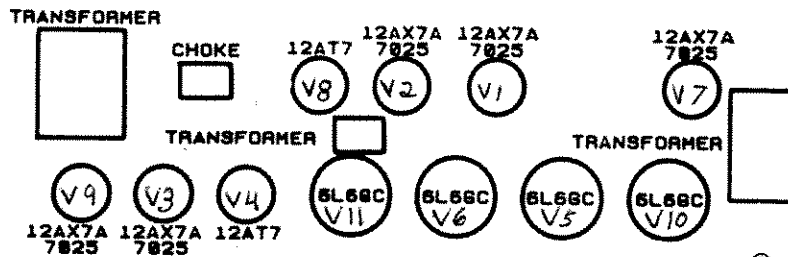
NO INPUTS +27.2VDC
 CH. 1 INPUT +30.0VDC
 CH. 2 INPUT +25.7VDC
 CH. 1 AND CH. 2. INPUT +30.0VDC
 PULL FOR SELECT AND CH. 1 INPUT +30.0VDC
 PULL FOR SELECT AND NO INPUTS +26.2VDC

DRAWN BENTON	DATE 8-5-88	CHECKED MH	DATE 2-19-93
APPROVED [Signature]	DATE 2-19-93	DRAWN A432	DATE 2-19-93
FENDER MUSICAL INSTRUMENTS CORP. BREA, CALIFORNIA 92621		SIZE D	REV. N
TITLE SCHEMATIC DIAGRAM 'THE TWIN'		PART/DRAWING NUMBER 026059	REVISION N

0026657000

FENDER MUSICAL INSTRUMENTS
BREA, CA. U.S.A.

FENDER SPECIAL DESIGN ELECTRONIC TUBES
PROVIDE OPTIMUM PERFORMANCE IN THIS
AMPLIFIER. FOR BEST RESULTS, REPLACE WITH
FENDER ORIGINAL EQUIPMENT TUBES ONLY.



THE TWIN

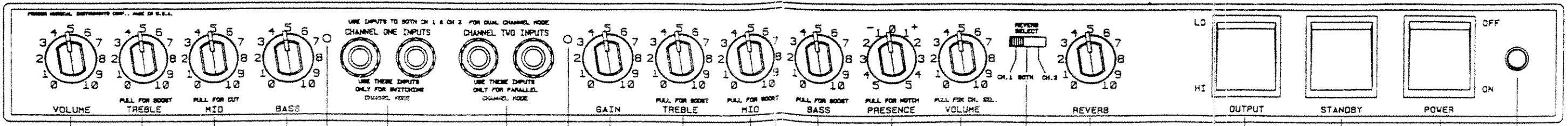
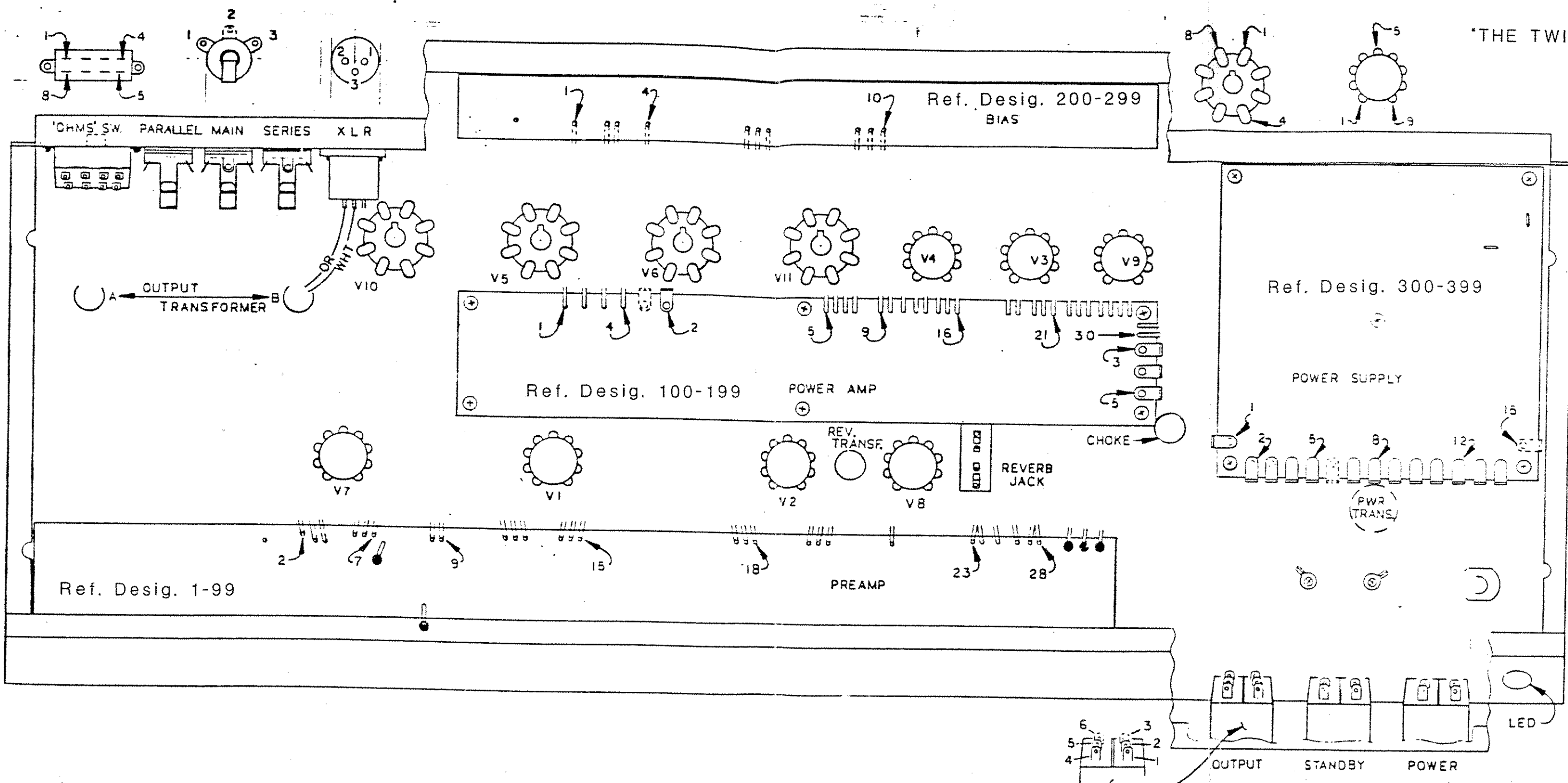
CAUTION:
DISCONNECT POWER SUPPLY
BEFORE CHANGING TUBES

Fender[®]
MUSICAL
INSTRUMENTS

P/N 027184

REVISIONS			
LTR	DESCRIPTION	DATE	APPN

'THE TWIN'



- (A)
- (B)
- (C)
- (D)
- (E)
- (F)
- (G)
- (H)
- (I)
- (J)
- (K)
- (L)
- (M)
- (N)
- (O)
- (P)
- (Q)
- (R)
- (S)
- (T)