

6	0869	26-07-95	ALL OTHER HOLES =		X = (THROUGH PLATED)	
5	0837	13-01-95	A	E	J	N
4	0815	19-12-94	B	F	K	P
ISS	ECO NUMBER	DATE	C	G	L	Q
			D	H	M	R

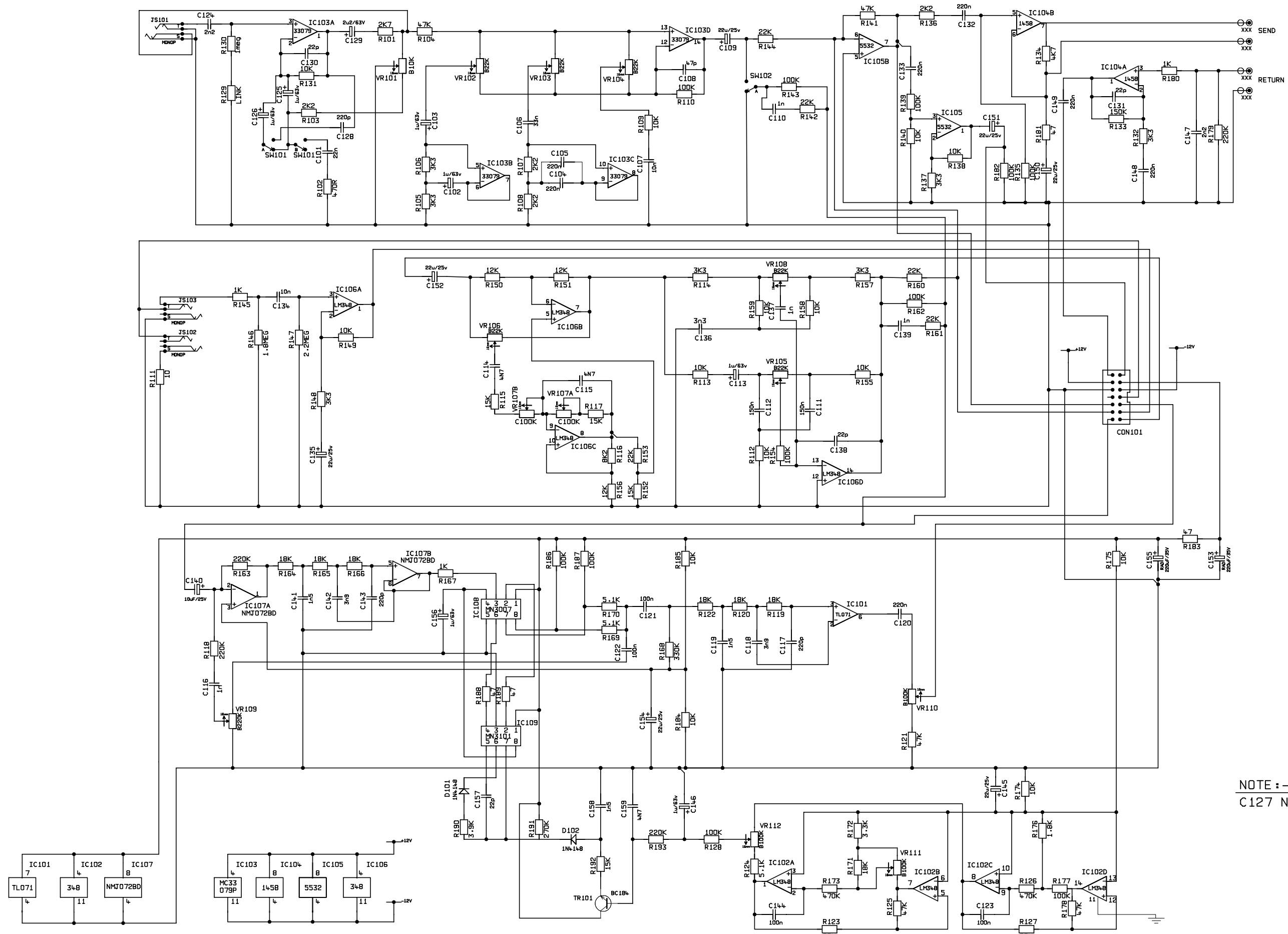
MATERIAL		DIMENSIONS IN	
MATERIAL THICKNESS		TOLERANCE (UNLESS OTHERWISE STATED)	
DRAWN S.G.	DATE 11-1-94	MODEL AS80R	
CHECKED	DATE	© MARSHALL AMPLIFICATION PLC	
APPROVED	DATE	DENBIGH ROAD, BLETCHLEY, MILTON KEYNES, MK1 1DQ.	
		TEL (01908) 375411 FAX (01908) 376118	

TITLE		ISS	
PRE AMP TOP CCT		6	
DWG. No AS80-61-02			



TITLE		ISS	
PRE AMP TOP CCT		6	
DWG. No AS80-61-02			

DWG. No. AS80-62-02



NOTE :-
C127 NOT FITTED

3	0826	09-01-95
2	0654	01-06-94
1	0614	19-05-94
ISS	ECO NUMBER	DATE

ALL OTHER HOLES =		X = (THROUGH PLATED)	
A	E	J	N
B	F	K	P
C	G	L	Q
D	H	M	R

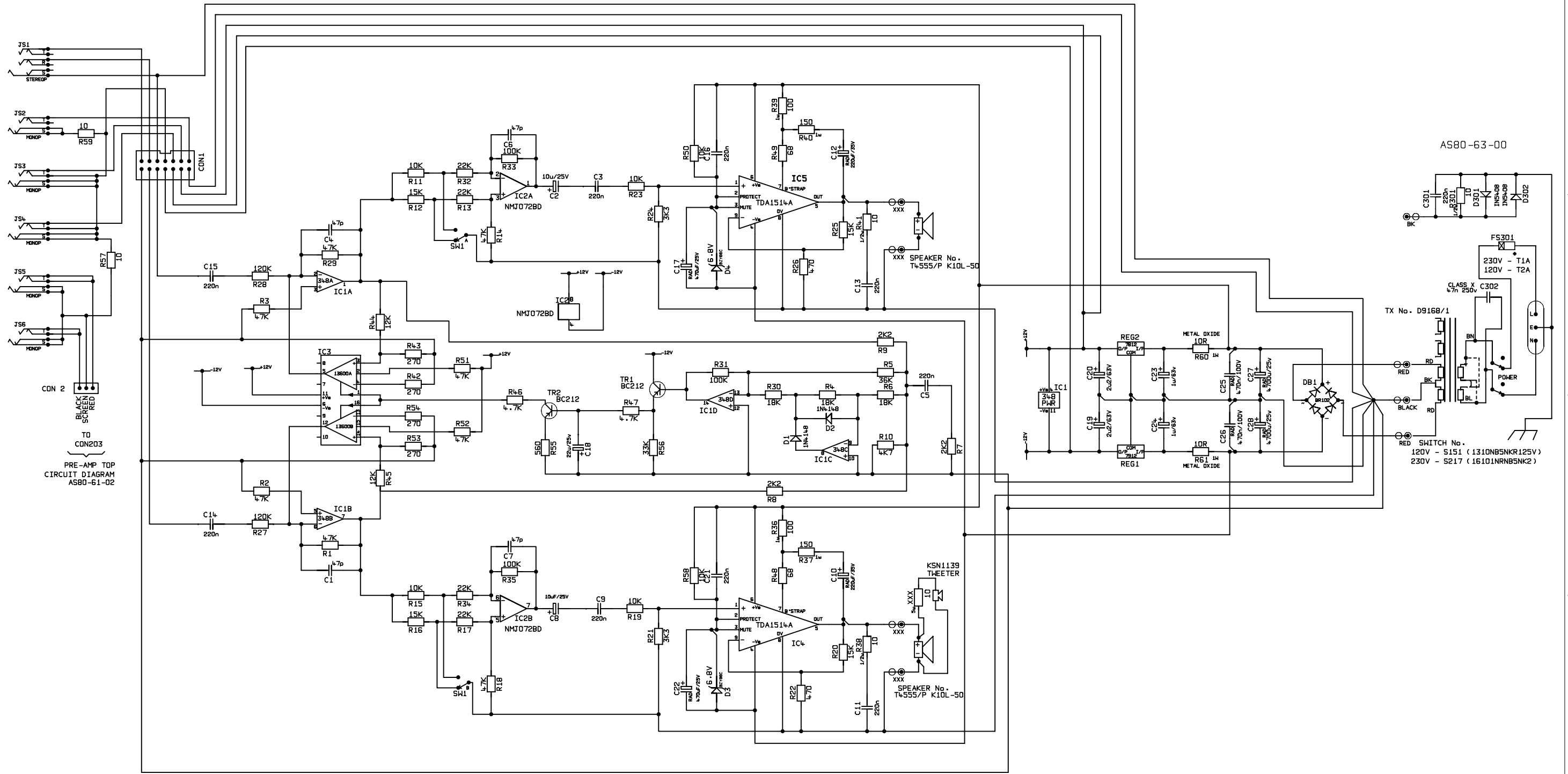
MATERIAL	
MATERIAL THICKNESS	DRAWN S.G.
CHECKED	DATE 10-1-94
APPROVED	DATE

DIMENSIONS IN	
TOLERANCE (UNLESS OTHERWISE STATED)	
MODEL	AS80R

Marshall
 © JIM MARSHALL (PRODUCTS) LTD.
 DENBIGH ROAD, BLETCHLEY, MILTON KEYNES, MK1 1DQ.
 TEL (0908)375411 FAX (0908)376118

TITLE		PRE AMP LOWER CCT
DWG. No	AS80-62-02	ISS 3

DIAG. No. AS80-60-02



5	0869	26-07-95
4	0913	10/4/95
3	0837	13-01-95
ISS	ECO NUMBER	DATE

ALL OTHER HOLES =		X = (THROUGH PLATED)	
A	E	J	N
B	F	K	P
C	G	L	Q
D	H	M	R

MATERIAL	
MATERIAL THICKNESS	
DRAWN A.G	DATE 28-03-94
CHECKED	DATE
APPROVED	DATE

DIMENSIONS IN	
TOLERANCE (UNLESS OTHERWISE STATED)	
MODEL	AS80R

Marshall
 © MARSHALL AMPLIFICATION PLC
 DENBIGH ROAD, BLETCHLEY, MILTON KEYNES, MK1 1DQ.
 TEL (01908) 375411 FAX (01908) 376118

TITLE	
POWER AMP CCT	
DWG. No.	ISS
AS80-60-02	5