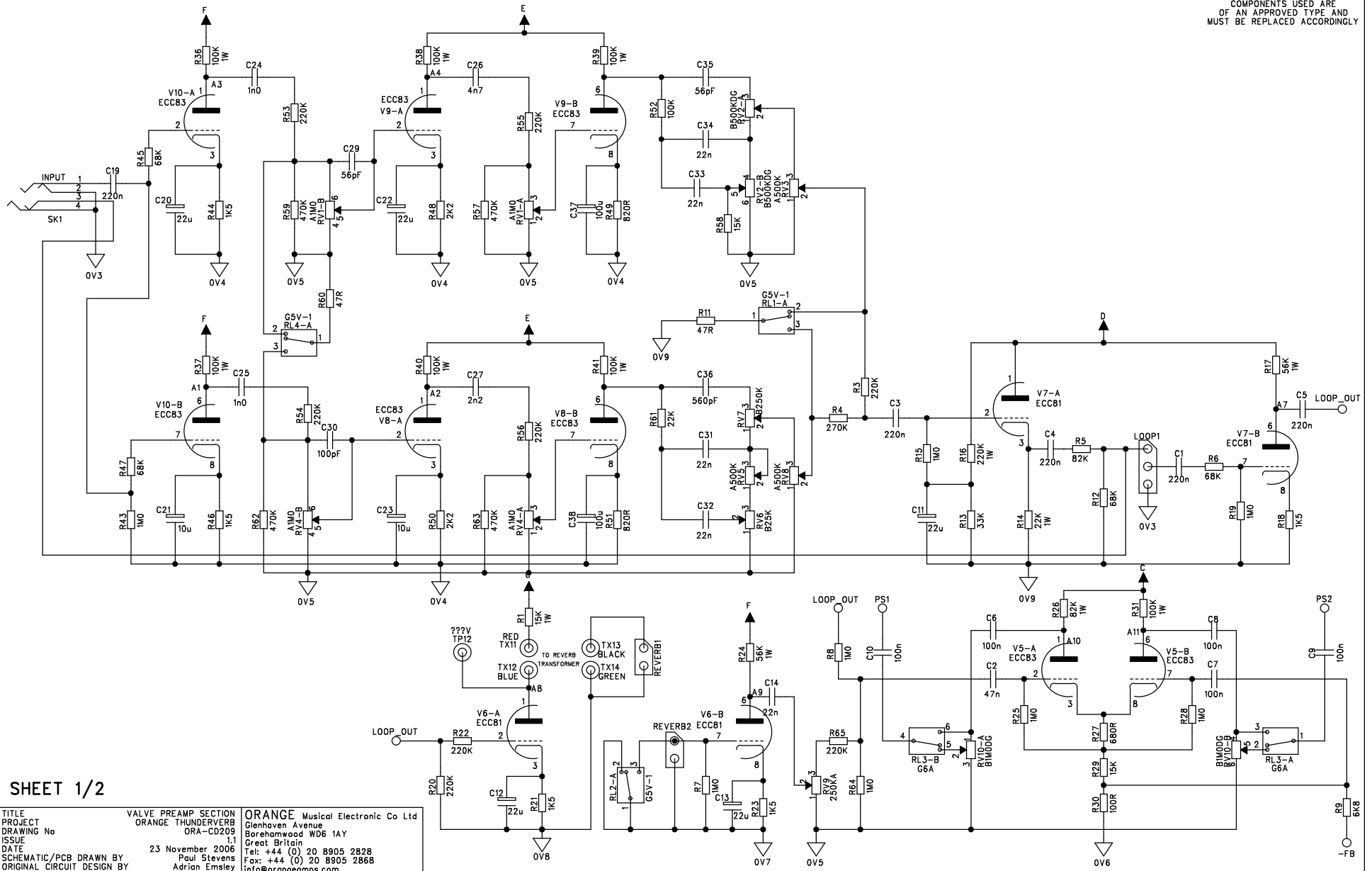


# ORANGE THUNDERVERB – MAIN PREAMP PCB

## PREAMP 1 & 2, LOOP, REVERB & PHASE SPLITTER



COMPONENTS USED ARE  
OF AN APPROVED TYPE AND  
MUST BE REPLACED ACCORDINGLY



SHEET 1/2

TITLE	VALVE PREAMP SECTION	ORANGE Musical Electronic Co Ltd
PROJECT	ORANGE THUNDERVERB	Glenhaven Avenue
DRAWING No	ORA-CD209	Borehamwood WD6 1AY
ISSUE	1.1	Great Britain
DATE	23 November 2006	Tel: +44 (0) 20 8905 2828
SCHEMATIC/PCB DRAWN BY	Paul Stevens	Fax: +44 (0) 20 8905 2868
ORIGINAL CIRCUIT DESIGN BY	Adrian Emsley	info@orangeamps.com