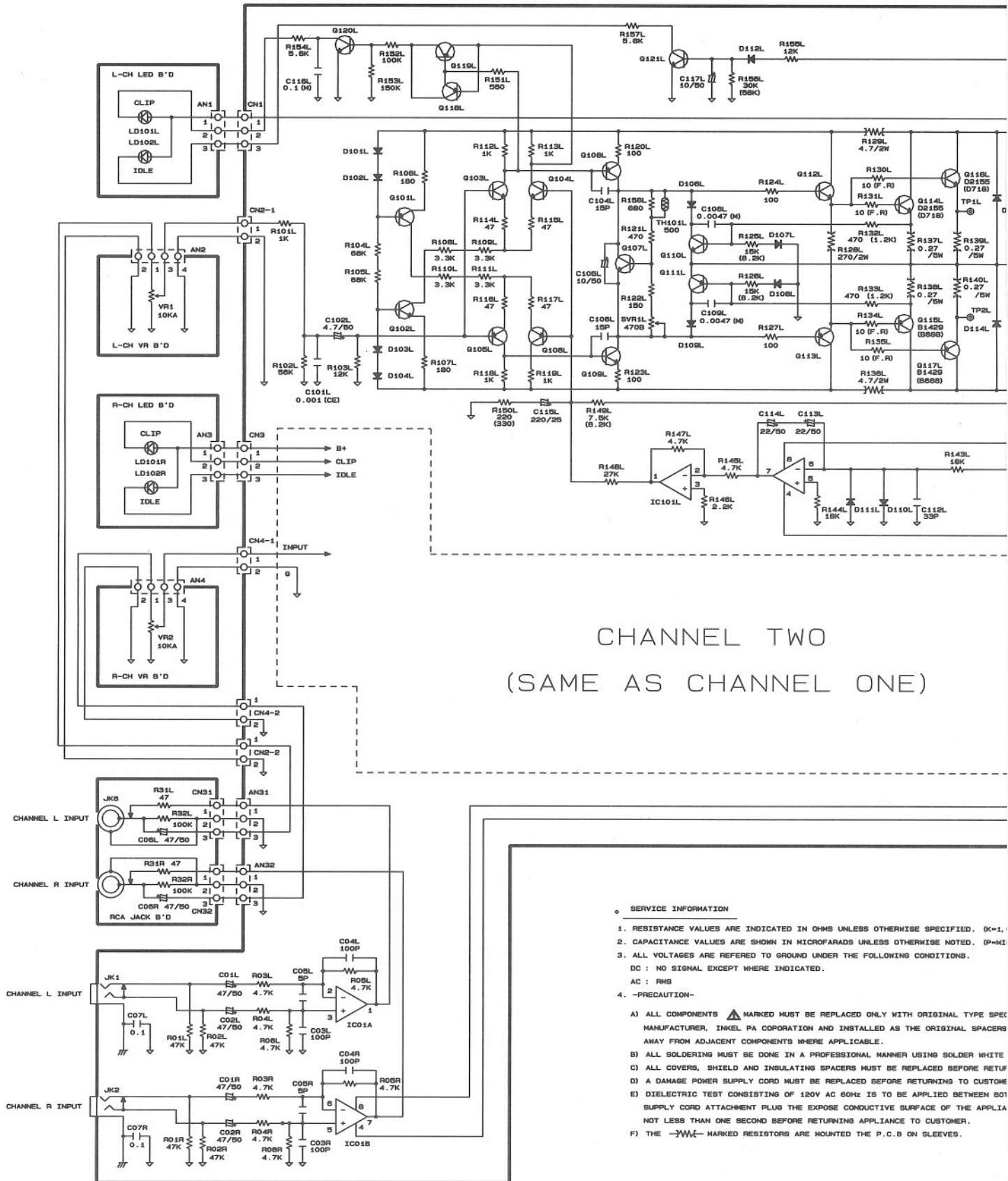


SCHEMATIC

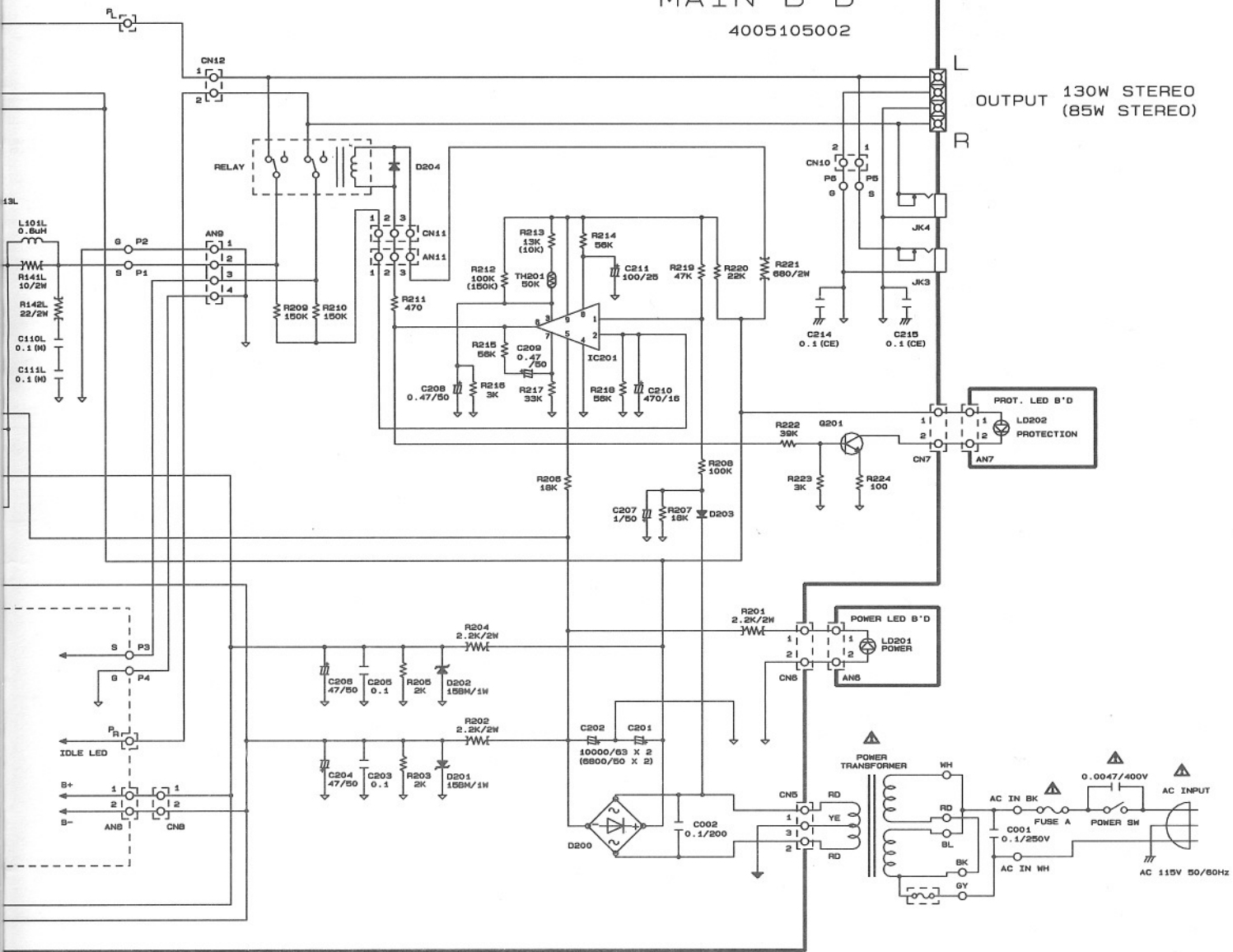


DIAGRAM

MAIN B'D

4005105002

OUTPUT 130W STEREO
(85W STEREO)



NOTE

- A1288 : Q101, Q111
- C3198 : Q102, Q110, Q121, Q201
- C3200 : Q103, Q104, Q107, Q120
- A1288 : Q118, Q119
- A970 : Q105, Q105
- A948 : Q108
- C2229 : Q109
- C2238 : Q112
- A988 : Q113
- TA7317P : IC201
- 0720 : IC101
- 20860 : IC01
- 1N4148 : D101-D112
- UZP-158M: D201, D202
- 1N4008 : D203, D204
- PS804 : D200
- KL206L : LD101, LD202
- KL206L : LD102
- SLR-54UR: LD201
- PS2010 : D113, D114

() = SERVO-170 PART VALUE
(/h) = CHASSIS GROUND

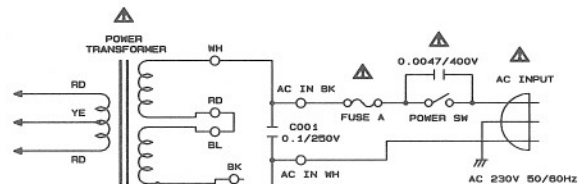
00, M=1, 000, 000)
RO-MICROFARADS)

IFIED BY THE
AND POSITIONED

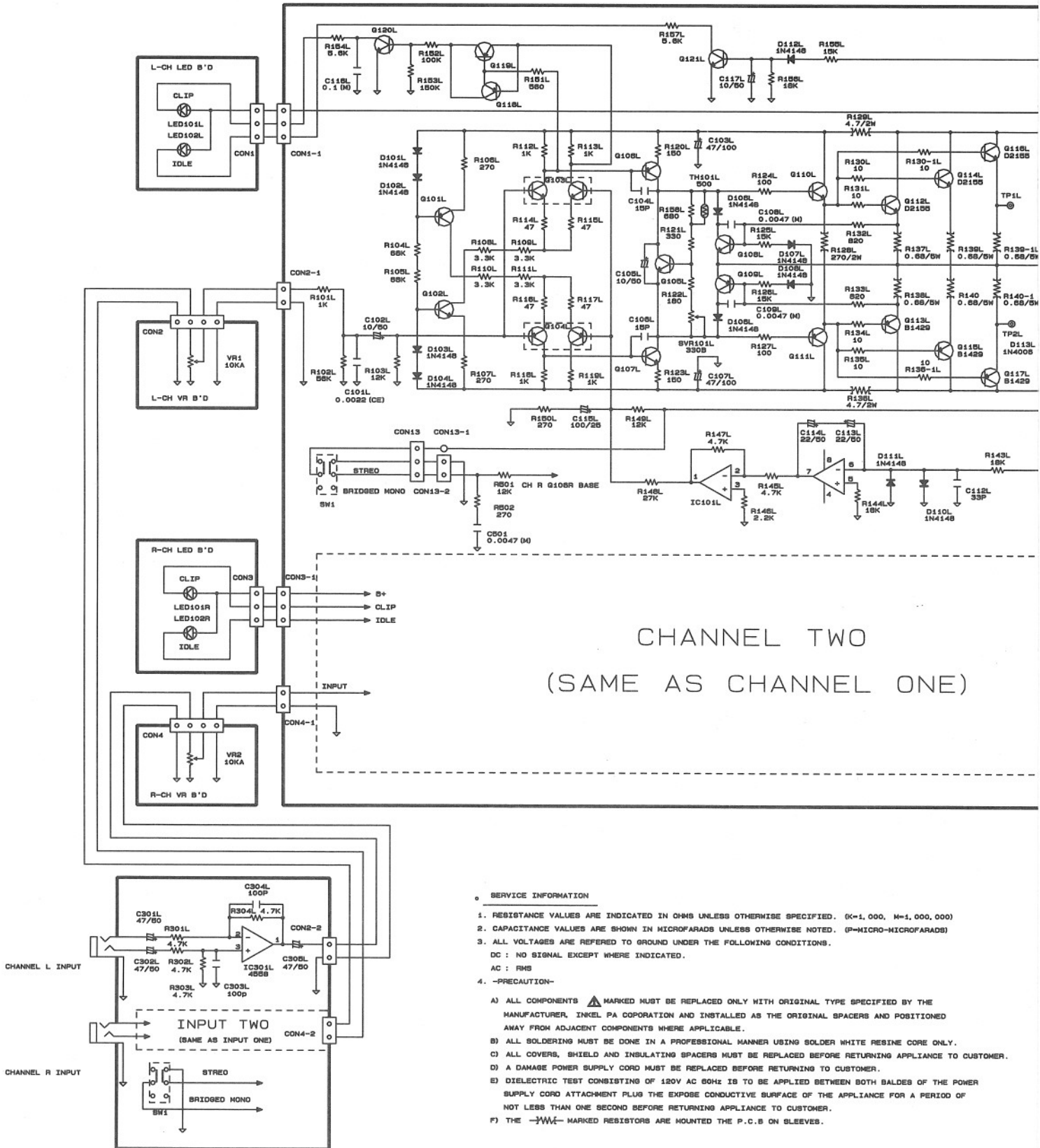
RESINE CORE ONLY.
NING APPLIANCE TO CUSTOMER.

R.
H BALDES OF THE POWER

CE FOR A PERIOD OF



SERVO-550 SCHEMA

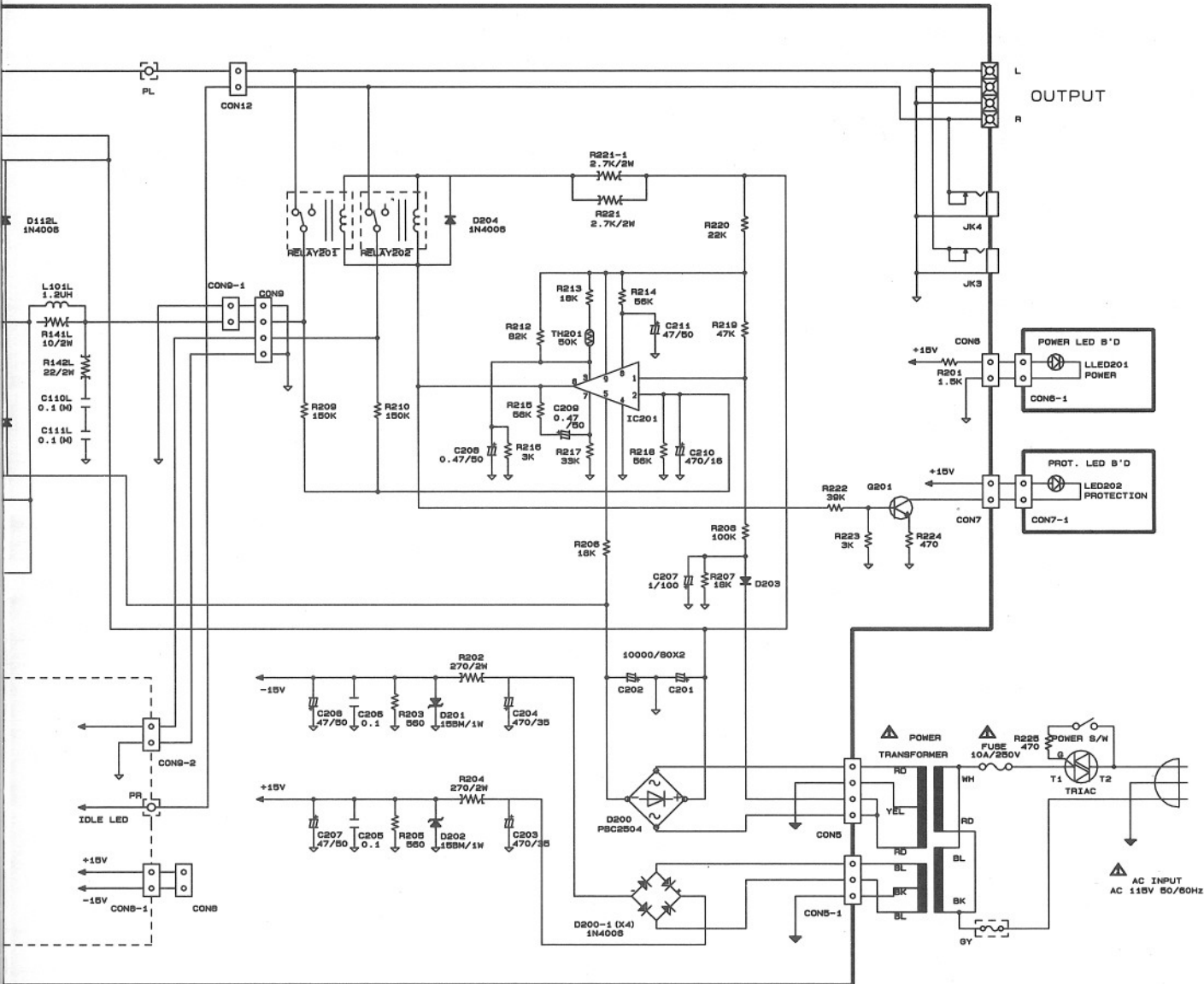


SERVICE INFORMATION

1. RESISTANCE VALUES ARE INDICATED IN OHMS UNLESS OTHERWISE SPECIFIED. (K=1,000, M=1,000,000)
2. CAPACITANCE VALUES ARE SHOWN IN MICROFARADS UNLESS OTHERWISE NOTED. (P=MICRO-MICROFARADS)
3. ALL VOLTAGES ARE REFERRED TO GROUND UNDER THE FOLLOWING CONDITIONS.
DC : NO SIGNAL EXCEPT WHERE INDICATED.
AC : RMS
4. -PRECAUTION-

- A) ALL COMPONENTS Δ MARKED MUST BE REPLACED ONLY WITH ORIGINAL TYPE SPECIFIED BY THE MANUFACTURER, INTEL PA CORPORATION AND INSTALLED AS THE ORIGINAL SPACERS AND POSITIONED AWAY FROM ADJACENT COMPONENTS WHERE APPLICABLE.
- B) ALL SOLDERING MUST BE DONE IN A PROFESSIONAL MANNER USING SOLDER WHITE RESINE CORE ONLY.
- C) ALL COVERS, SHIELD AND INSULATING SPACERS MUST BE REPLACED BEFORE RETURNING APPLIANCE TO CUSTOMER.
- D) A DAMAGE POWER SUPPLY CORD MUST BE REPLACED BEFORE RETURNING TO CUSTOMER.
- E) DIELECTRIC TEST CONSISTING OF 120V AC 60HZ IS TO BE APPLIED BETWEEN BOTH BALDES OF THE POWER SUPPLY CORD ATTACHMENT PLUS THE EXPOSE CONDUCTIVE SURFACE OF THE APPLIANCE FOR A PERIOD OF NOT LESS THAN ONE SECOND BEFORE RETURNING APPLIANCE TO CUSTOMER.
- F) THE \sim MARKED RESISTORS ARE MOUNTED THE P.C.B ON SLEEVES.

TIC DIAGRAM



NOTE

TR NPN C2240BL (C3200)	:	G105L/R, G120L/R
TR PNP A1255BL	:	G104L/R, G118L/R, G119L/R
TR NPN C2225Y (C3208)	:	G107L/R
TR PNP A949Y (A1024)	:	G106L/R
TR NPN C3185Y	:	G102L/R, G108L/R, G121L/R
Q201	:	
TR PNP A1255Y	:	G109L/R
TR NPN KTC 3400G KEC	:	G103
TR PNP KTA 2400G KEC	:	G104
TR NPN 28C 2238Y	:	G110
TR PNP 28A 958Y	:	G111
TRIAC Q401B	:	Q202
IC NJM 072D JRC	:	IC101
IC TA 7317P TOSHIBA	:	IC201
LED SLR-S4UR R5 RED	:	LD201
LED KLR 206L 2#5 RED KEC	:	LD101, LD202
LED KLG 206L 2#5 GRE KEC	:	LD102

