



# SPIRIT POWERSTATION

By Soundcraft

## TYPICAL SPECIFICATIONS

### **T.H.D.**

Mic, Line or stereo input to  
Main Outputs, +20dB at outputs,  
any input gain < 0.009%

### **Crosstalk**

Fader Attenuation	100dB @1kHz
Aux Send Attenuation	80dB @1kHz
Stereo Separation	70dB @1kHz

### **Noise**

Measured RMS, 22Hz to 22kHz bandwidth

Aux Outputs	-83dBu
Main Outputs	-80dBu

### **E.I.N.**

Microphone Input, Maximum Gain,  
terminated 150R -129dBu

### **Max. Gain to Main Outputs**

Mic Input	74dB
Line Input	54dB
Stereo Input	32dB
Stereo Return & 2Track Return	12dB

### **Maximum Input Levels**

Mic Input	+21dBu
Line Input	> 30dBu
Stereo Input	+26dBu
Stereo Return & 2Track Return	> 30dBu

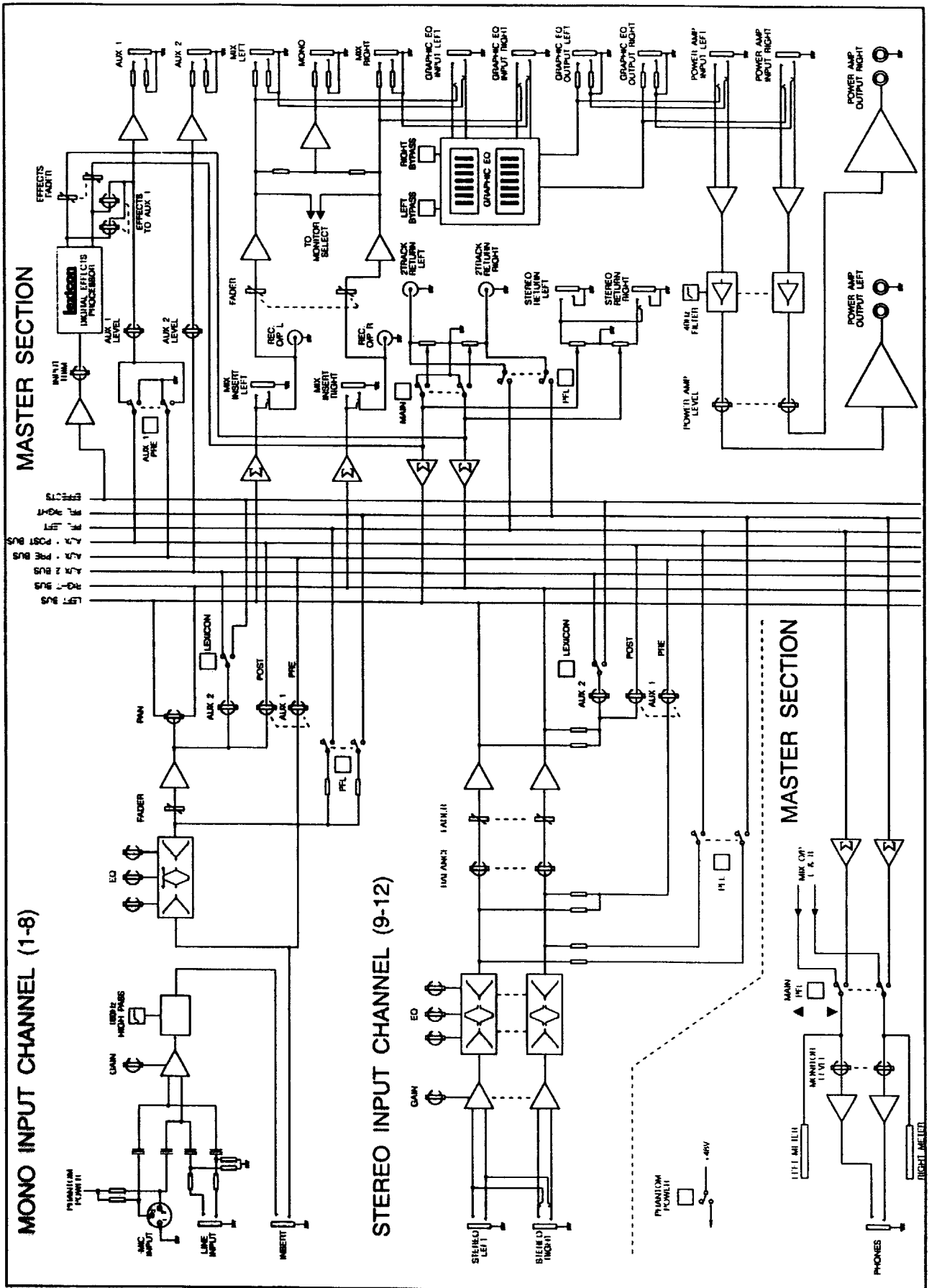
### **Maximum Output Levels**

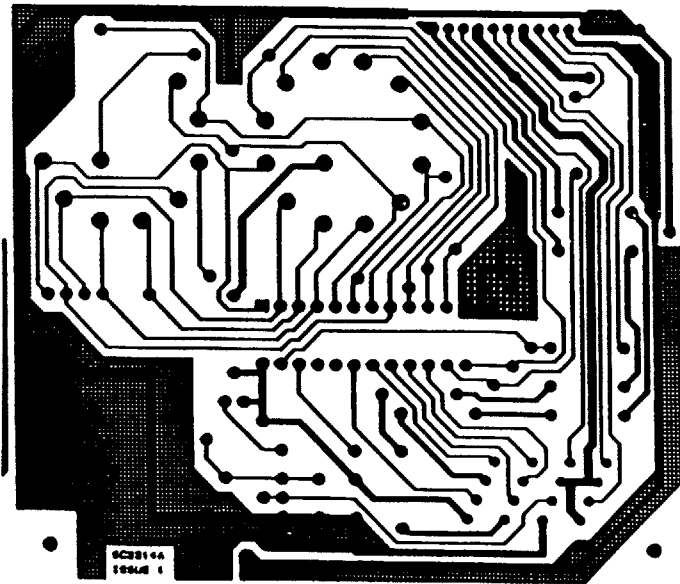
Any Output +22dBu



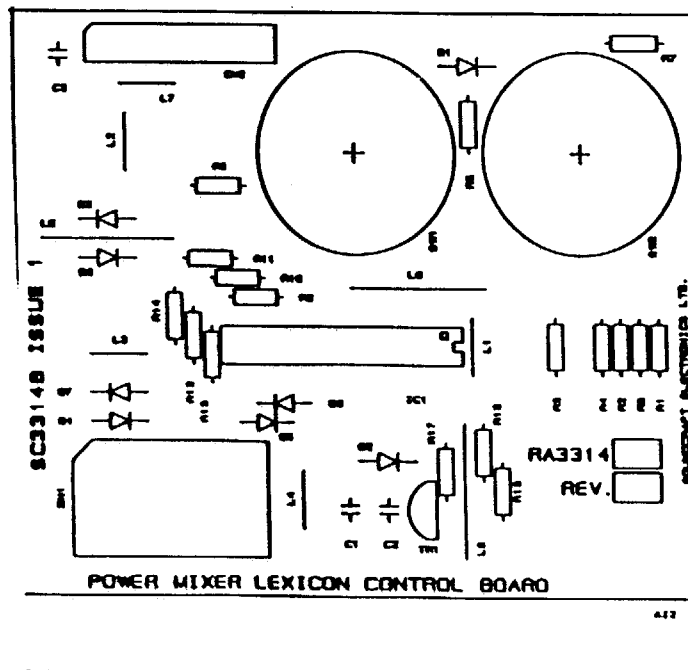
# SPIRIT POWERSTATION

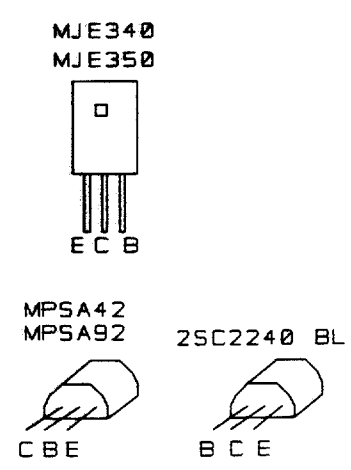
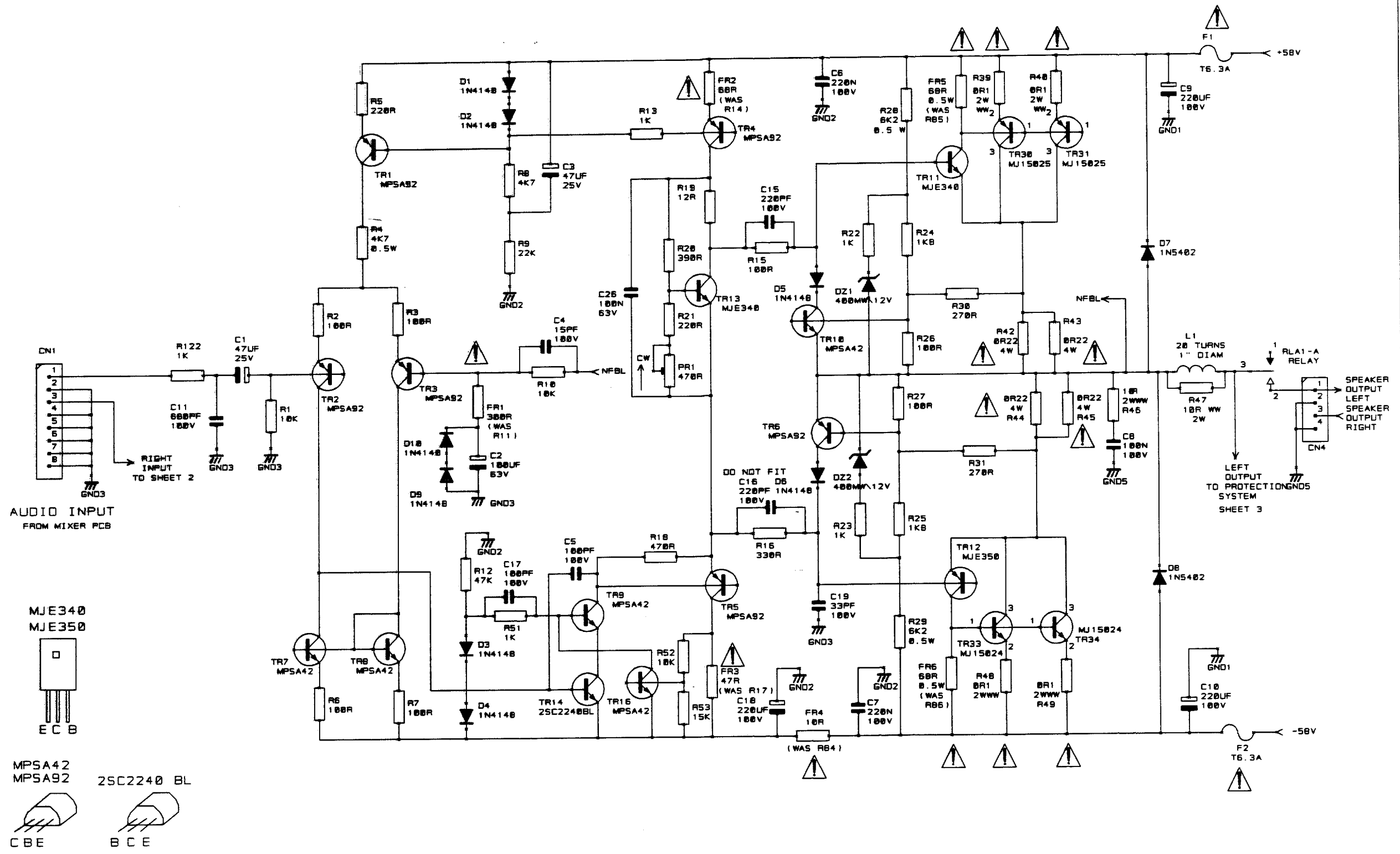
By Soundcraft





SC3314A ISSUE 1 17-8-94  
POWER MIXER LEXICON CONTROL BOARD





SOUNDCRAFT OWNS THE COPYRIGHT OF THIS DRAWING WHICH IS NOT TO BE COPIED, REPRODUCED OR DISCLOSED, IN PART OR IN WHOLE TO A THIRD PARTY WITHOUT WRITTEN PERMISSION.

NOTES

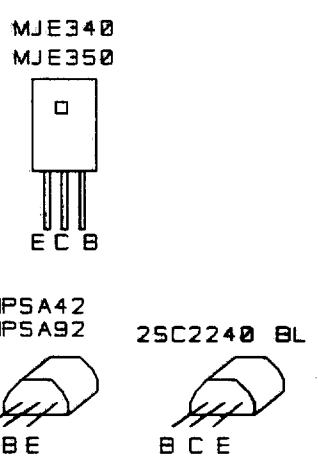
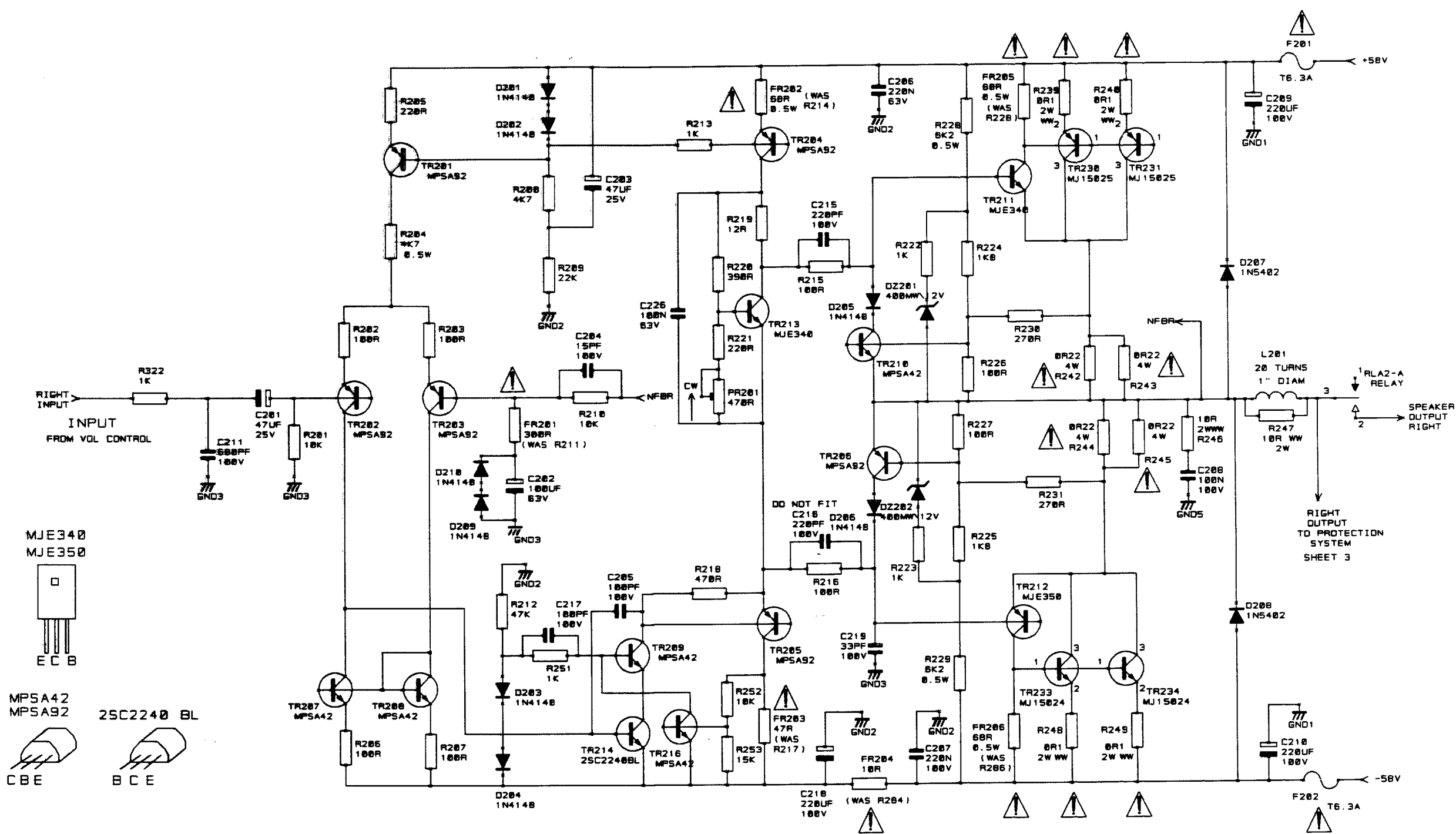
NOTES  
1) WHEN SERVICING, FUSIBLE RESISTORS (DESIGNATED FR) MUST BE REPLACED WITH SAME TYPE.

SOUNDCRAFT  
HARMAN INT. INDUSTRIES LTD.  
CRANBORNE HOUSE,  
CRANBORNE ROAD,  
POTTERS BAR,  
HERTS., EN6 3JN.  
TEL: 01787 665888  
FAX: 01787 660482

DRN. DS

TITLE STEREO POWER AMP. LEFT CHAN.

DRG NO. ED3312A SHT. 1 OF 3



SOUNDCRAFT OWNS THE COPYRIGHT OF THIS DRAWING WHICH IS NOT TO BE COPIED, REPRODUCED OR DISCLOSED, IN PART OR IN WHOLE TO A THIRD PARTY WITHOUT WRITTEN PERMISSION.

NOTES

NOTES  
 1) RESISTORS DESIGNATED FR MUST BE REPLACED WITH CORRECT FUSIBLE RESISTOR WHEN SERVICING

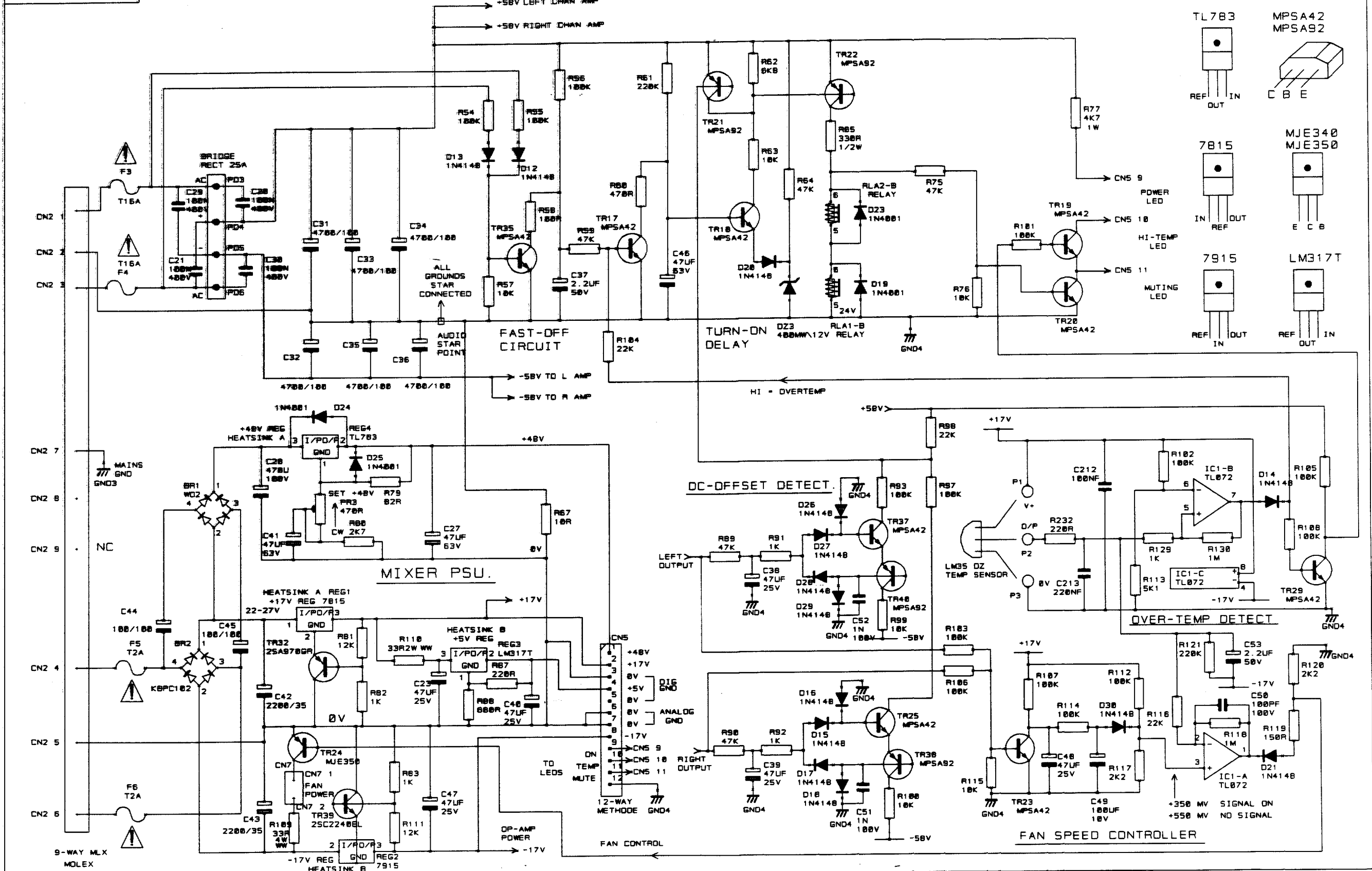
SOUNDCRAFT  
 HARMAN INT. INDUSTRIES LTD.  
 CRANBORNE HOUSE,  
 CRANBORNE ROAD,  
 POTTERS BAR,  
 HERTS., EN6 3JN.  
 TEL: 01707 665000  
 FAX: 01707 660482

DRN. OS

TITLE STEREO POWER AMP. RIGHT CHAN  
 DRG NO. ED3312B  
 SHT. 2 OF 3

INITIAL	ISSUE	DATE
ML	7	17-10-95

DRG NO. ED 3312C



SOUNDCRAFT OWNS THE COPYRIGHT OF THIS DRAWING WHICH IS NOT TO BE COPIED, REPRODUCED OR DISCLOSED, IN PART OR IN WHOLE TO A THIRD PARTY WITHOUT WRITTEN PERMISSION.

NOTES

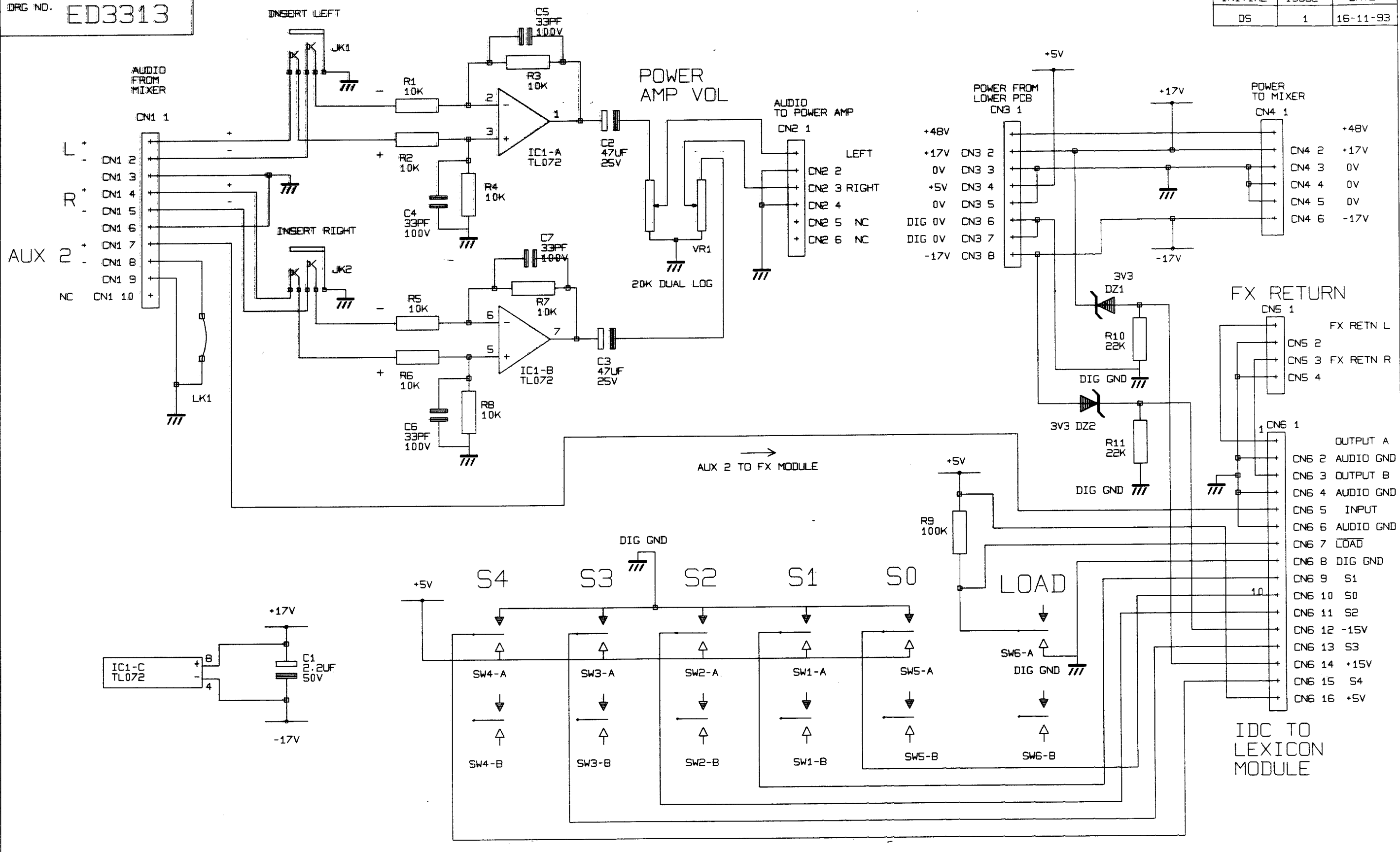
NOTES

SOUNDCRAFT  
HARMAN INT. INDUSTRIES LTD.  
CRANBORNE HOUSE,  
CRANBORNE ROAD,  
POTTERS BAR,  
HERTS., EN6 3JN.  
TEL: 01707 665000  
FAX: 01707 660482

DRN. DS  
TITLE STEREO POWER AMPLIFIER PROTECTION SYSTEM  
DRG NO. ED 3312C  
SHT. 3 OF 3

DRG NO. ED3313

INITIAL	ISSUE	DATE
DS	1	16-11-93



SOUNDCRAFT ELECTRONICS LTD OWNS THE COPYRIGHT OF THIS DRAWING WHICH IS NOT TO BE COPIED, REPRODUCED OR DISCLOSED, IN PART OR IN WHOLE TO A THIRD PARTY WITHOUT WRITTEN PERMISSION.

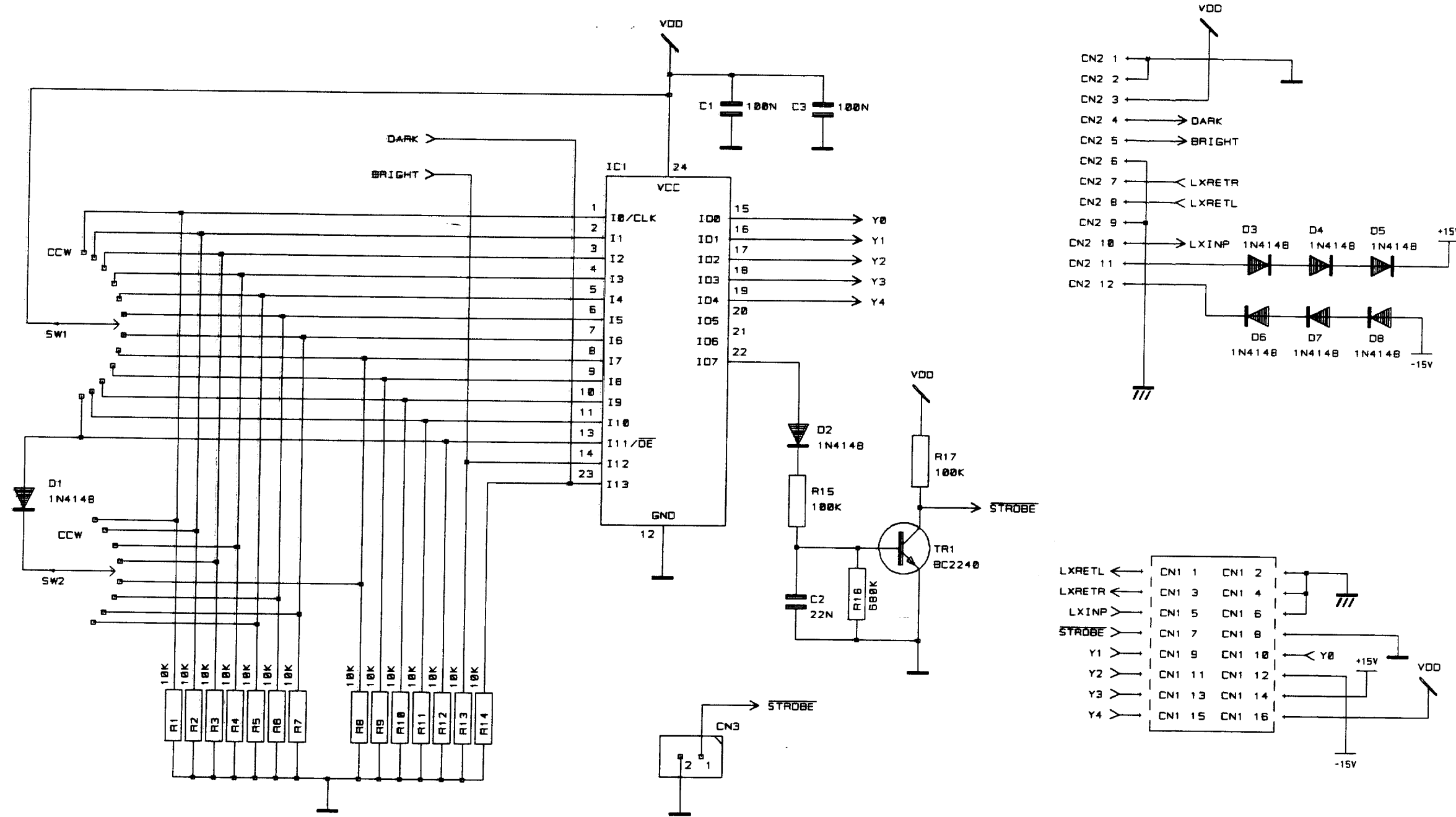
NOTES

SOUNDCRAFT ELECTRONICS LTD.  
CRANBORNE HOUSE,  
CRANBORNE INDUSTRIAL ESTATE,  
CRANBORNE ROAD,  
POTTERS BAR,  
HERTS., EN6 3JN.  
TEL: 0707 665000  
FAX: 0707 660482

DRN. DS

TITLE POWERED MIXER ADAPTER BOARD.  
DRG NO. ED3313  
SHT. 1 OF 1

INITIAL	ISSUE	DATE
DCB	2	7/2/95



SOUNDCRAFT ELECTRONICS LTD OWNS THE COPYRIGHT OF THIS DRAWING WHICH IS NOT TO BE COPIED, REPRODUCED OR DISCLOSED, IN PART OR IN WHOLE TO A THIRD PARTY WITHOUT WRITTEN PERMISSION.

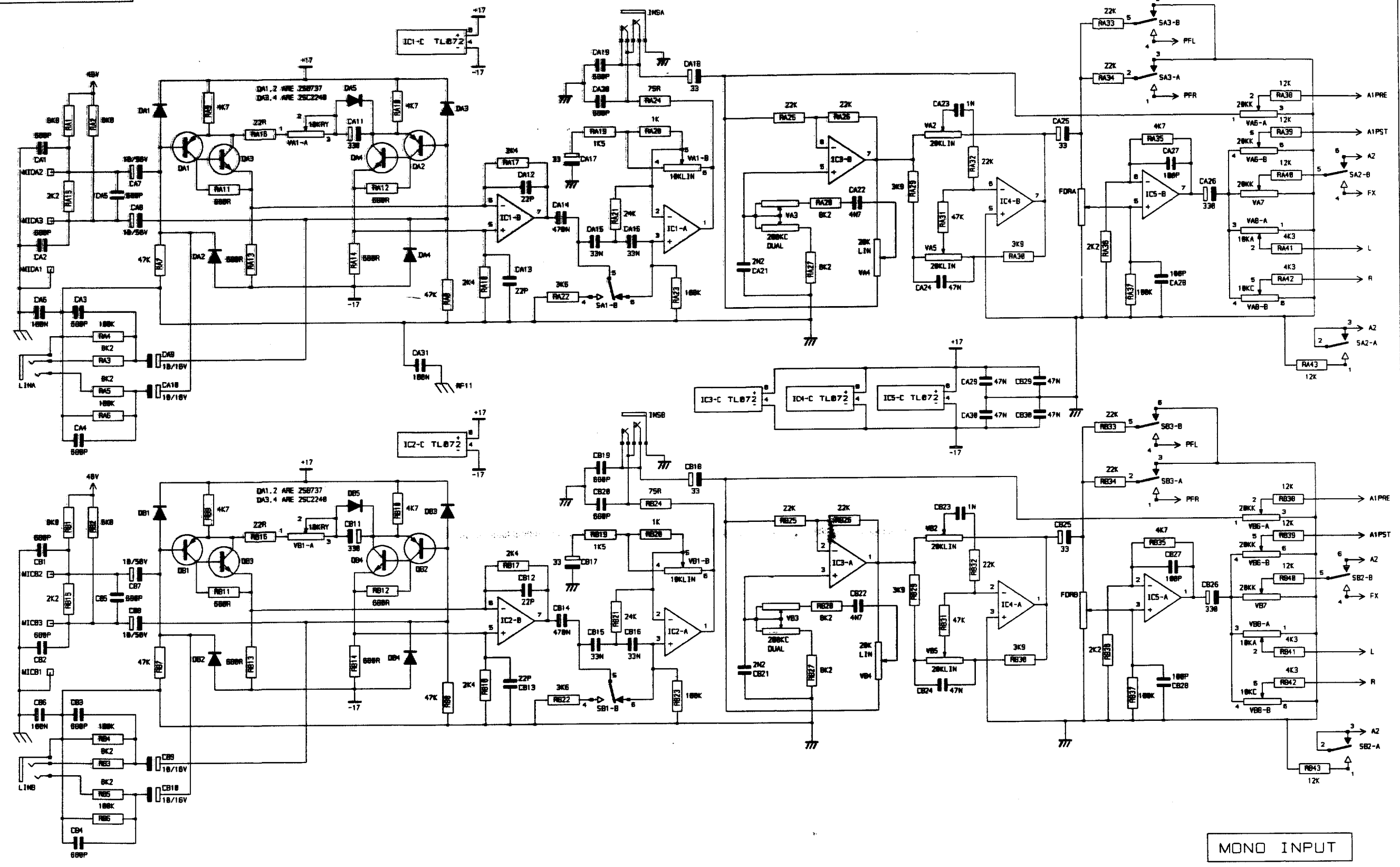
NOTES

SOUNDCRAFT ELECTRONICS LTD. CRANBORNE HOUSE, CRANBORNE INDUSTRIAL ESTATE, CRANBORNE ROAD, POTTERS BAR, HERTS., EN6 3JN. TEL: 0707 665000 FAX: 0707 660482

DRN. GB

TITLE POWER STATION LEXICON CONTROL BOARD  
 DRG NO. ED3314





SOUNDCRAFT ELECTRONICS LTD OWNS THE COPYRIGHT OF THIS DRAWING WHICH IS NOT TO BE COPIED, REPRODUCED OR DISCLOSED, IN PART OR IN WHOLE TO A THIRD PARTY WITHOUT WRITTEN PERMISSION.

NOTES

NOTES

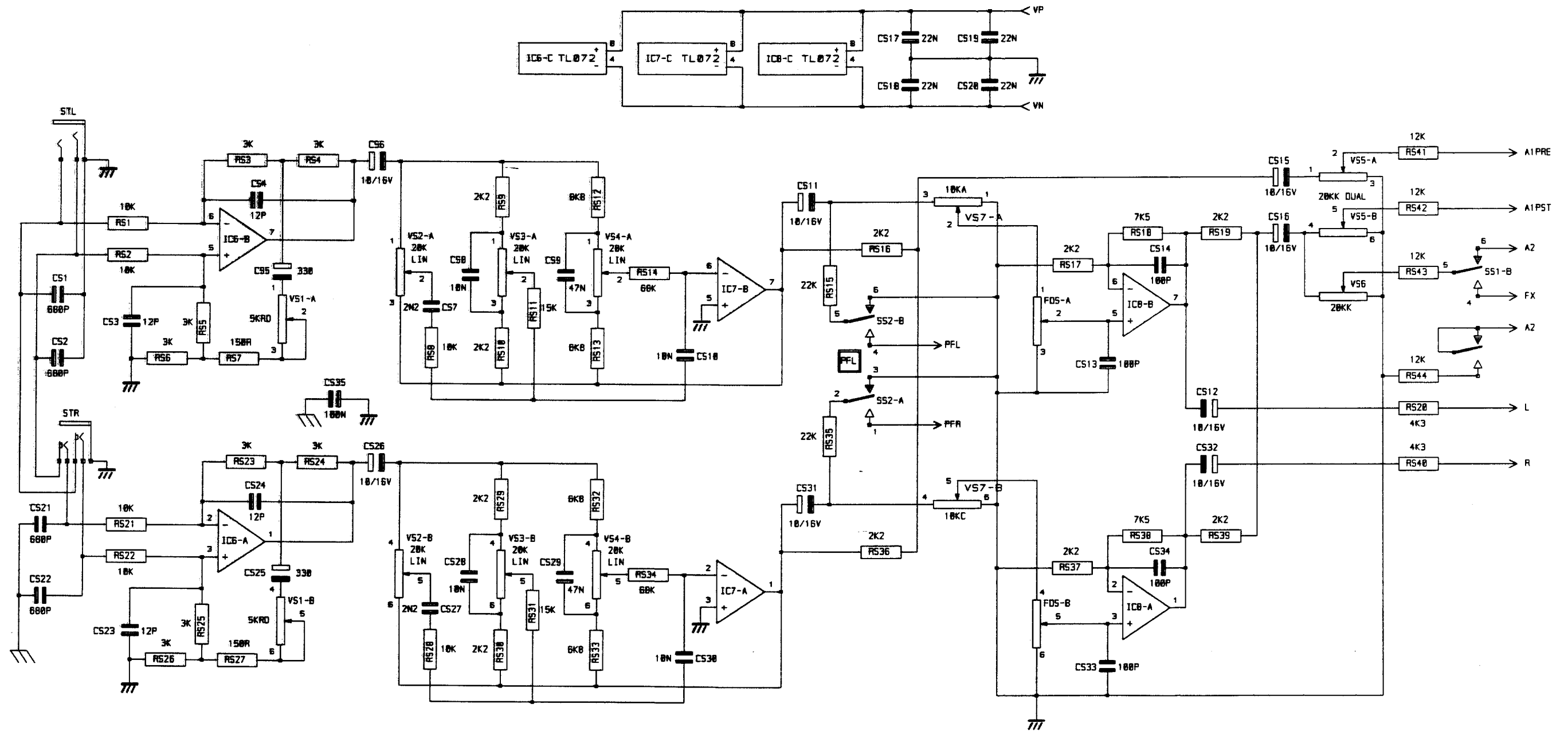
SOUNDCRAFT ELECTRONICS LTD. CRANBORNE HOUSE, CRANBORNE INDUSTRIAL ESTATE, POTTERS BAR, HERTS., ENG 3, UK. TEL: 0787 665000 FAX: 0787 668482

DRN. GHB

TITLE  
POWER AMP  
MAIN BOARD

DRG NO. ED3316A

SHT. 1 OF 6



STEREO INPUT

SOUNDCRAFT ELECTRONICS LTD. OWNS THE COPYRIGHT OF THIS DRAWING WHICH IS NOT TO BE COPIED, REPRODUCED OR DISCLOSED, IN PART OR IN WHOLE TO A THIRD PARTY WITHOUT WRITTEN PERMISSION.

NOTES

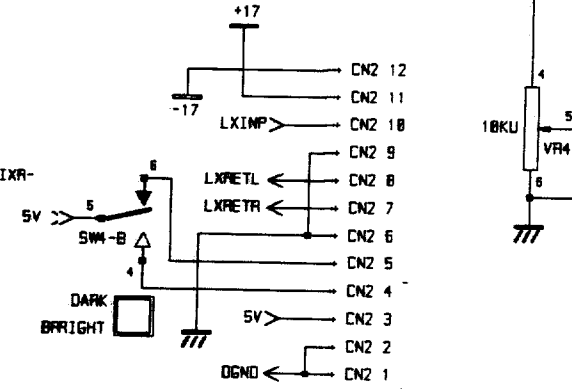
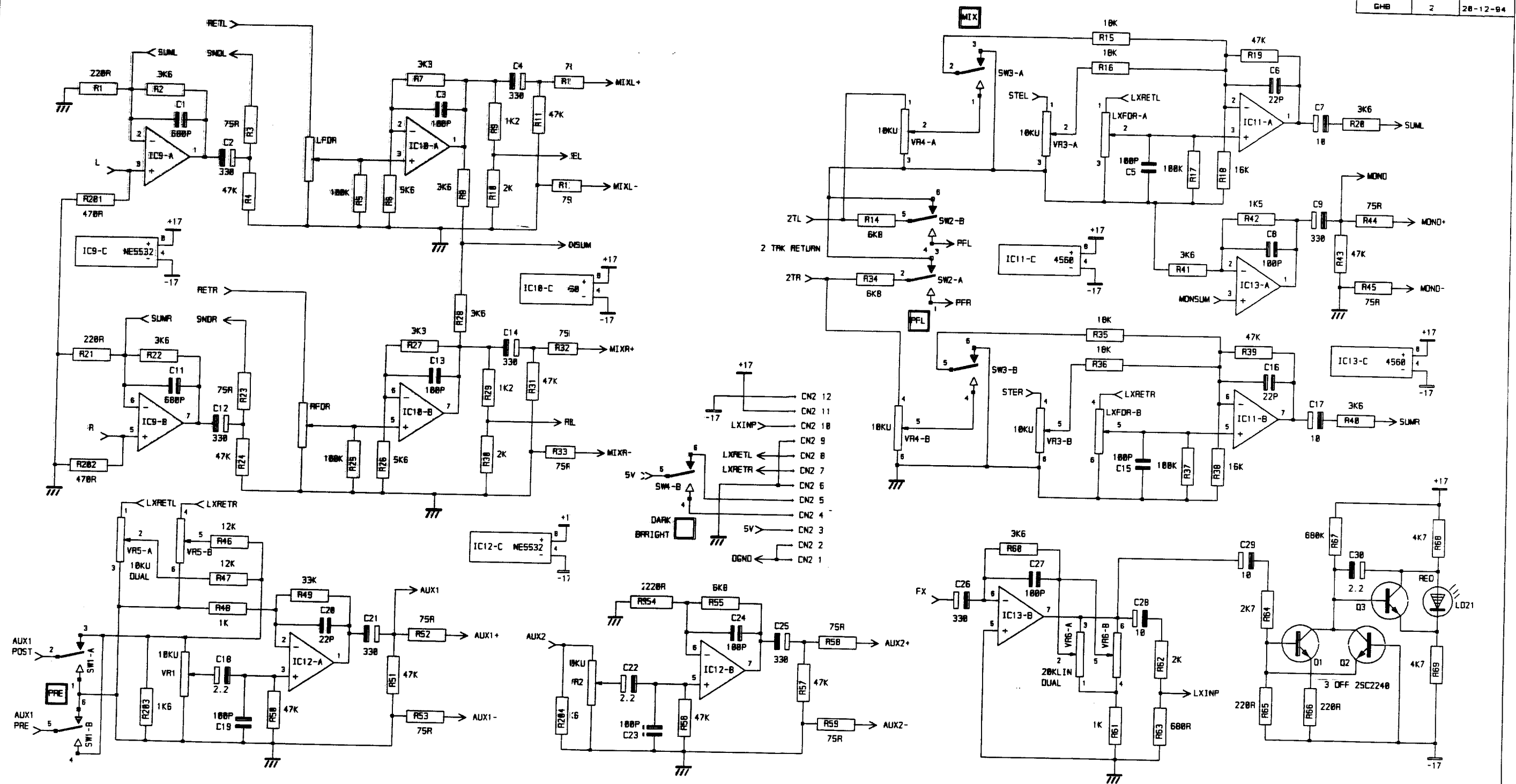
NOTES

SOUNDCRAFT ELECTRONICS LTD.  
CRANBORNE HOUSE,  
CRANBORNE INDUSTRIAL ESTATE,  
CRANBORNE ROAD,  
POTTERS BAR,  
HERTS., EN6 3JN  
TEL: 0787 665000  
FAX: 0787 660482

DRN. GHB

TITLE  
POWER AMP  
MAIN BOARD  
DRG NO. ED 3316B

INITIAL	ISSUE	DATE
GHB	2	28-12-84



MASTER 1

SOUNDCRAFT ELECTRONICS LTD. OWNS THE COPYRIGHT OF THIS DRAWING WHICH IS NOT TO BE COPIED, REPRODUCED OR DISCLOSED, IN PART OR IN WHOLE TO A THIRD PARTY WITHOUT WRITTEN PERMISSION.

NOTES

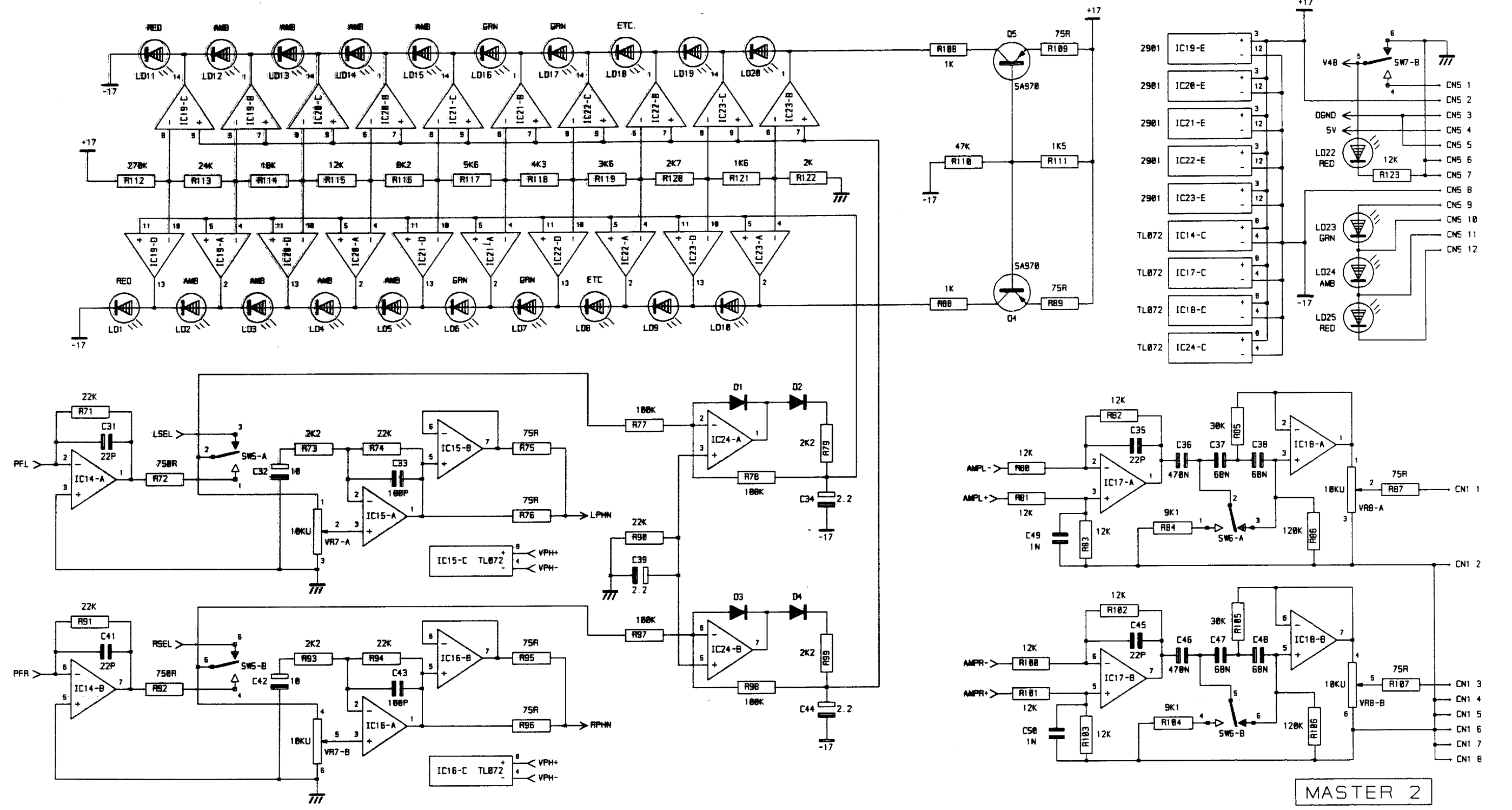
NOTES

SOUNDCRAFT ELECTRONICS LTD.  
CRANBORNE HOUSE,  
CRANBORNE INDUSTRIAL ESTATE,  
CRANBORNE ROAD,  
POTTERS BAR,  
HERTS. EN6 3JN  
TEL: 0707 665000  
FAX: 0707 660482

DRN.	GHB	TITLE	POWER AMP MAIN BOARD
		DRG NO.	ED 3316C
SHT. 3 OF 6			

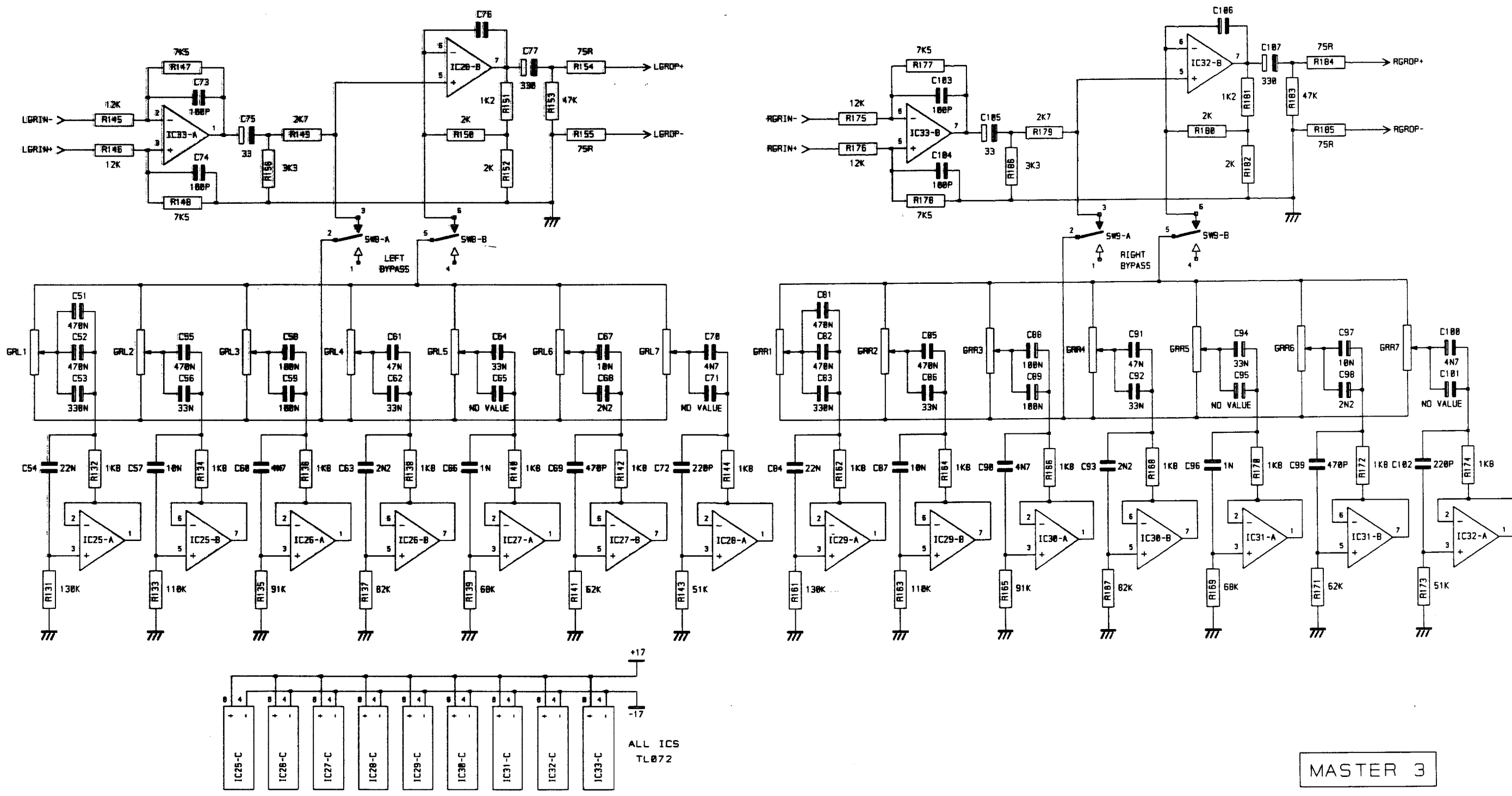
INITIAL	ISSUE	DATE
GHB	2	20-12-94

ALL DIODES ARE 1N4148 TYPE.



MASTER 2

<p>SOUNDCRAFT ELECTRONICS LTD. OWNS THE COPYRIGHT OF THIS DRAWING WHICH IS NOT TO BE COPIED, REPRODUCED OR DISCLOSED, IN PART OR IN WHOLE TO A THIRD PARTY WITHOUT WRITTEN PERMISSION.</p>	<p>NOTES</p>	<p>NOTES</p>	<p>SOUNDCRAFT ELECTRONICS LTD. CRANBORNE HOUSE, CRANBORNE INDUSTRIAL ESTATE, CRANBORNE ROAD, POTTERS BAR, HERTS. EN6 3JN TEL: 0767 655000 FAX: 0767 656482</p>	<p>DRN. GHB</p>	<p>TITLE <b>POWER AMP MAIN BOARD</b>  DRG NO. ED 33160</p>
--	--------------	--------------	--	-----------------	--



MASTER 3

SOUNDCRAFT ELECTRONICS LTD. OWNS THE COPYRIGHT OF THIS DRAWING WHICH IS NOT TO BE COPIED, REPRODUCED OR DISCLOSED, IN PART OR IN WHOLE TO A THIRD PARTY WITHOUT WRITTEN PERMISSION.

NOTES

NOTES

SOUNDCRAFT ELECTRONICS LTD.  
CRANBORNE HOUSE,  
CRANBORNE INDUSTRIAL ESTATE,  
CRANBORNE ROAD,  
POTTERS BAR,  
HERTS., EN6 3JN  
TEL: 0707 665000  
FAX: 0707 660402

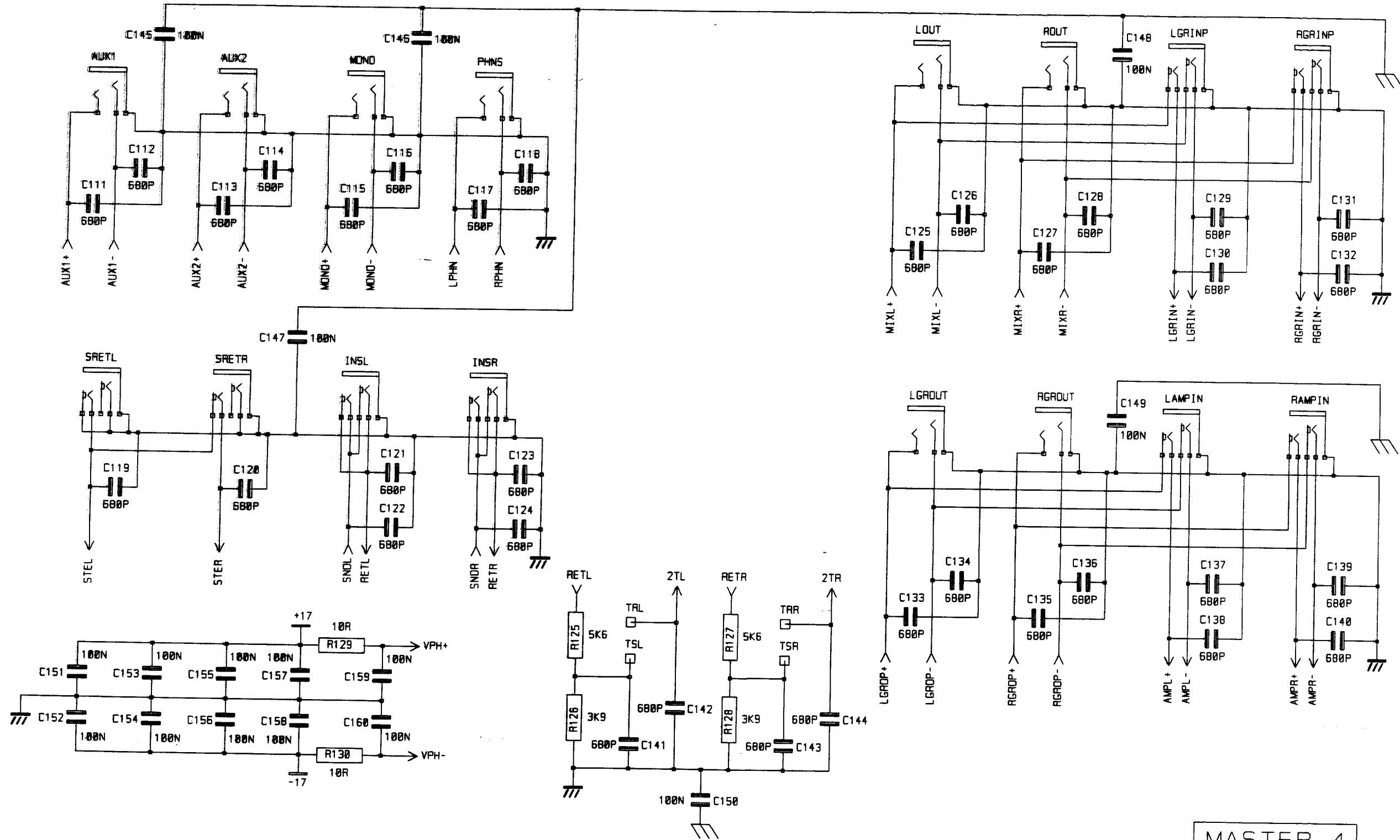
DRN. GHB

TITLE  
**POWER AMP MIXER BOARD**

DRG NO. ED3316E

SHT. 5 OF 6

INITIAL	ISSUE	DATE
GHB	2	20-12-94



MASTER 4

SOUNDCRAFT ELECTRONICS LTD OWNS THE COPYRIGHT OF THIS DRAWING WHICH IS NOT TO BE COPIED, REPRODUCED OR DISCLOSED, IN PART OR IN WHOLE TO A THIRD PARTY WITHOUT WRITTEN PERMISSION.

NOTES

SOUNDCRAFT ELECTRONICS LTD. CRANBORNE HOUSE, CRANBORNE INDUSTRIAL ESTATE, CRANBORNE ROAD, POTTERS BAR, HERTS., EN6 3JN. TEL: 0707 665000 FAX: 0707 660482

ORN. GHB

TITLE POWER AMP MAIN BOARD  
 DRG NO. ED 3316F

SCORE

P1  
P2  
P3

SC3312 ISSUE 3

A12 TR30 MJ15025

TR31 MJ15025

TR33 MJ15024

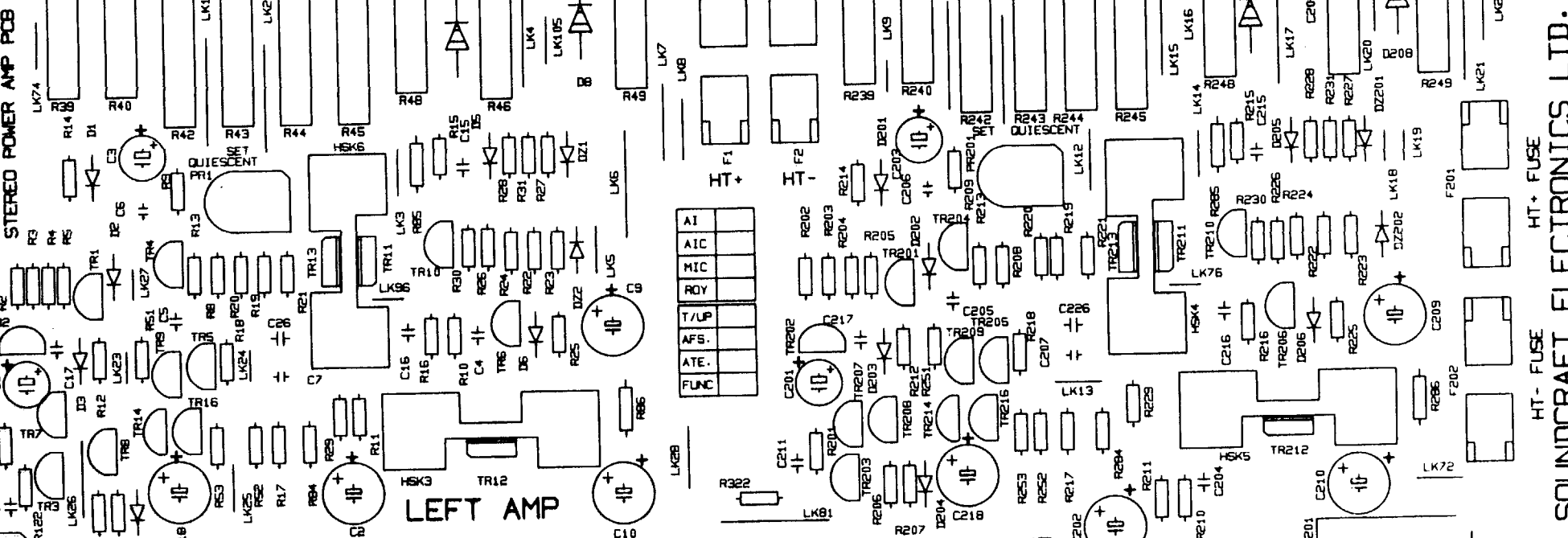
TR34 MJ15024

TR230 MJ15025

TR231 MJ15025

TR233 MJ15024

R246 TR234 MJ15024



SCORE

STEREO POWER AMP PCB

2-OZ COPPER

HANDHOLD

BY DATE

1.7V

1.7V

1.7V

1.7V

1.7V

1.7V

1.7V

1.7V

1.7V

1.7V

1.7V

1.7V

1.7V

1.7V

1.7V

1.7V

1.7V

1.7V

1.7V

1.7V

1.7V

1.7V

1.7V

1.7V

1.7V

1.7V

1.7V

1.7V

1.7V

1.7V

WARNING: HT ±60V HIGH ENERGY STORAGE...

SC3312 ISSUE 3

SCORE

STEREO POWER AMP. BOARD

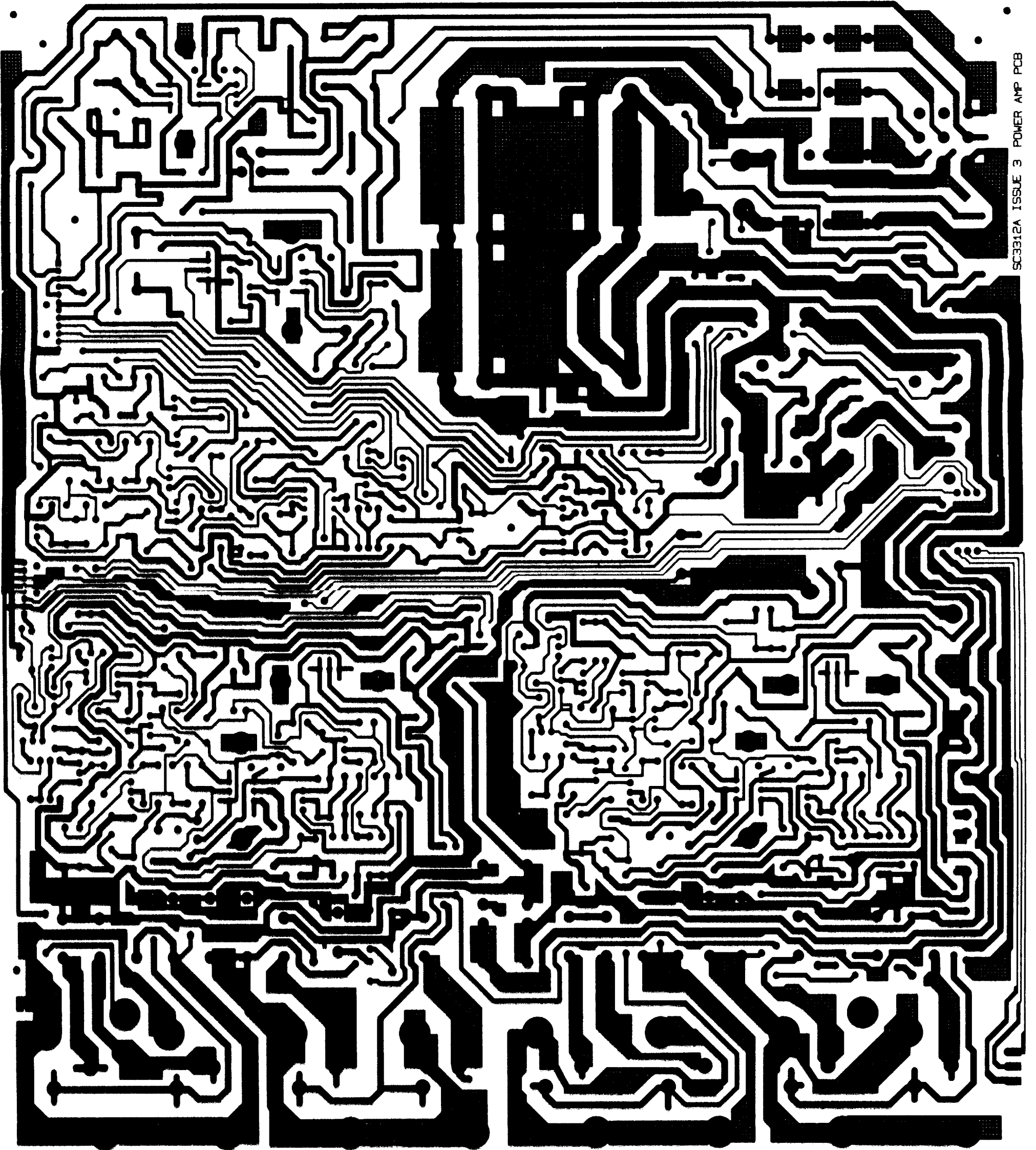
STEREO POWER AMP PCB  
CP3312 ISSUE 3 13-7-93

SOUNDCRAFT ELECTRONICS LTD.

2-OZ COPPER

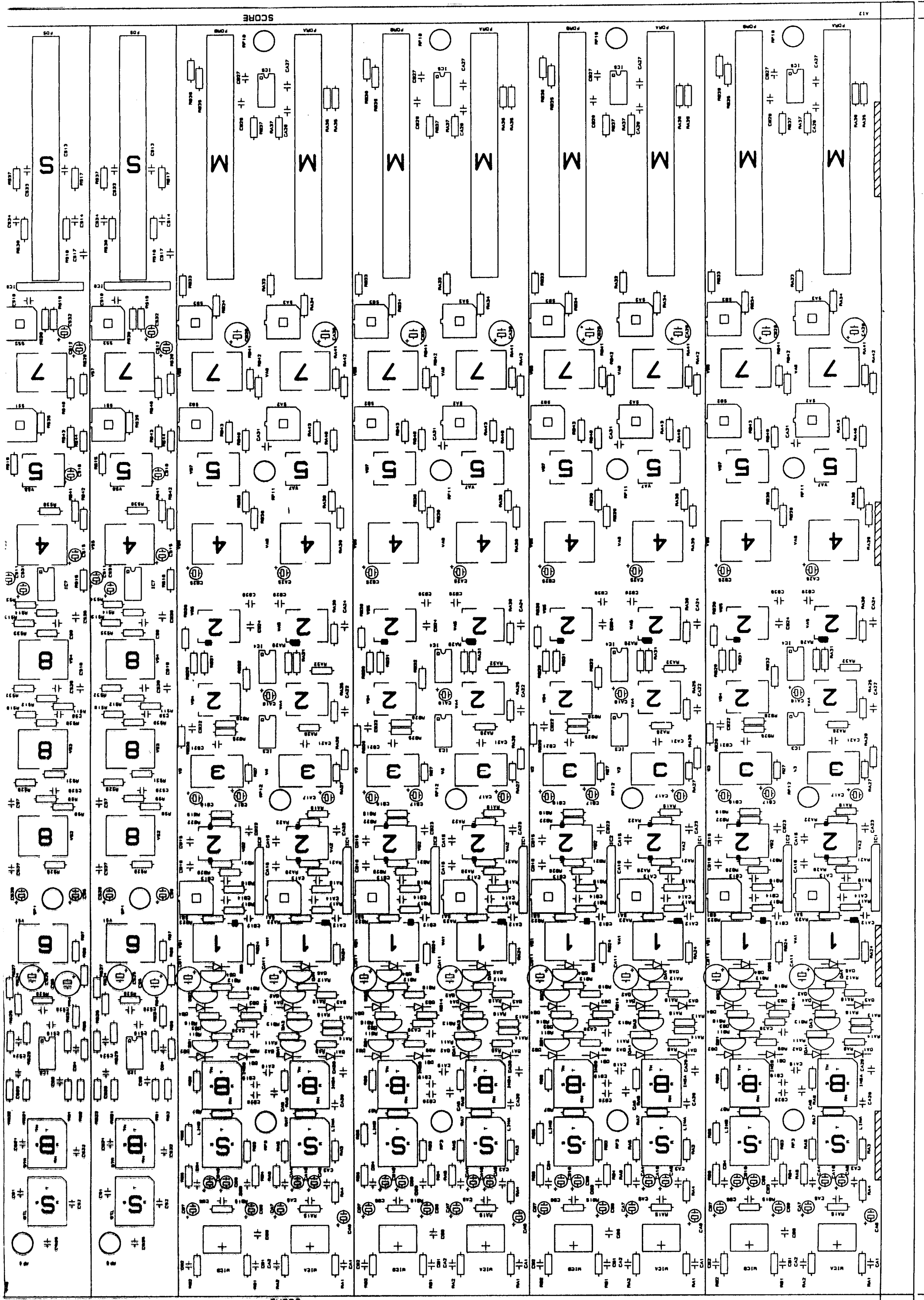
SCORE

SC3312A ISSUE 3 8-8-94  
STEREO POWER AMP PCB



SC3312A ISSUE 3 POWER AMP PCB

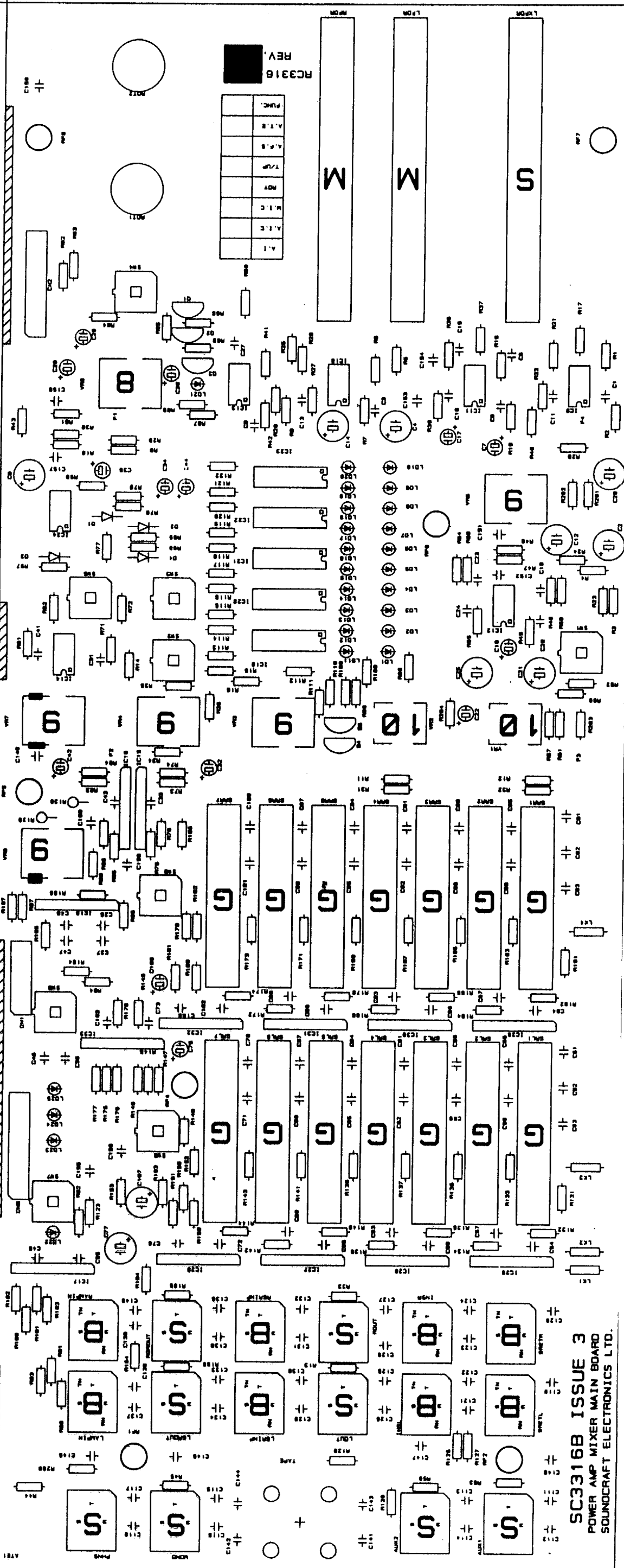




SCORE

SCORE

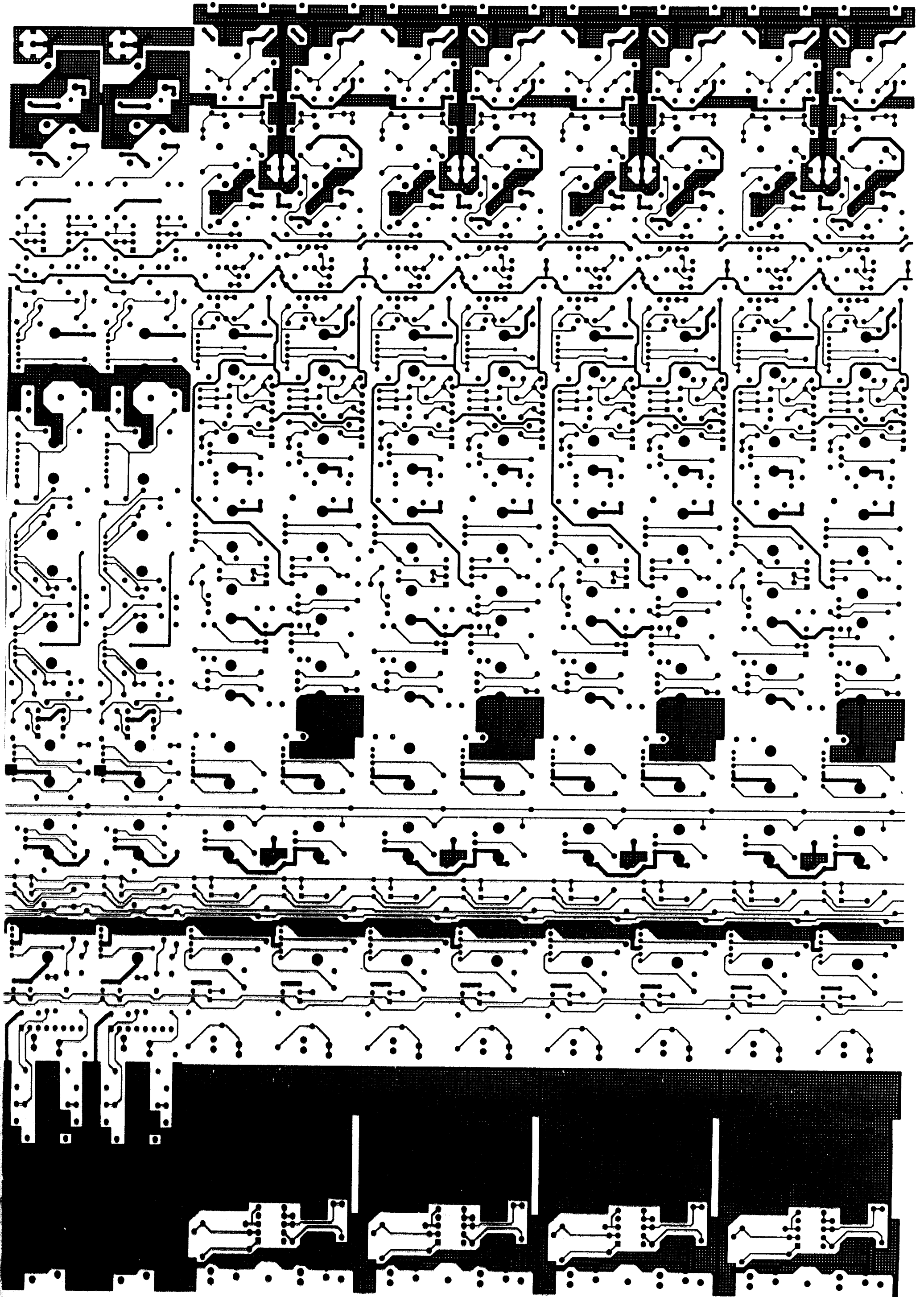
A12



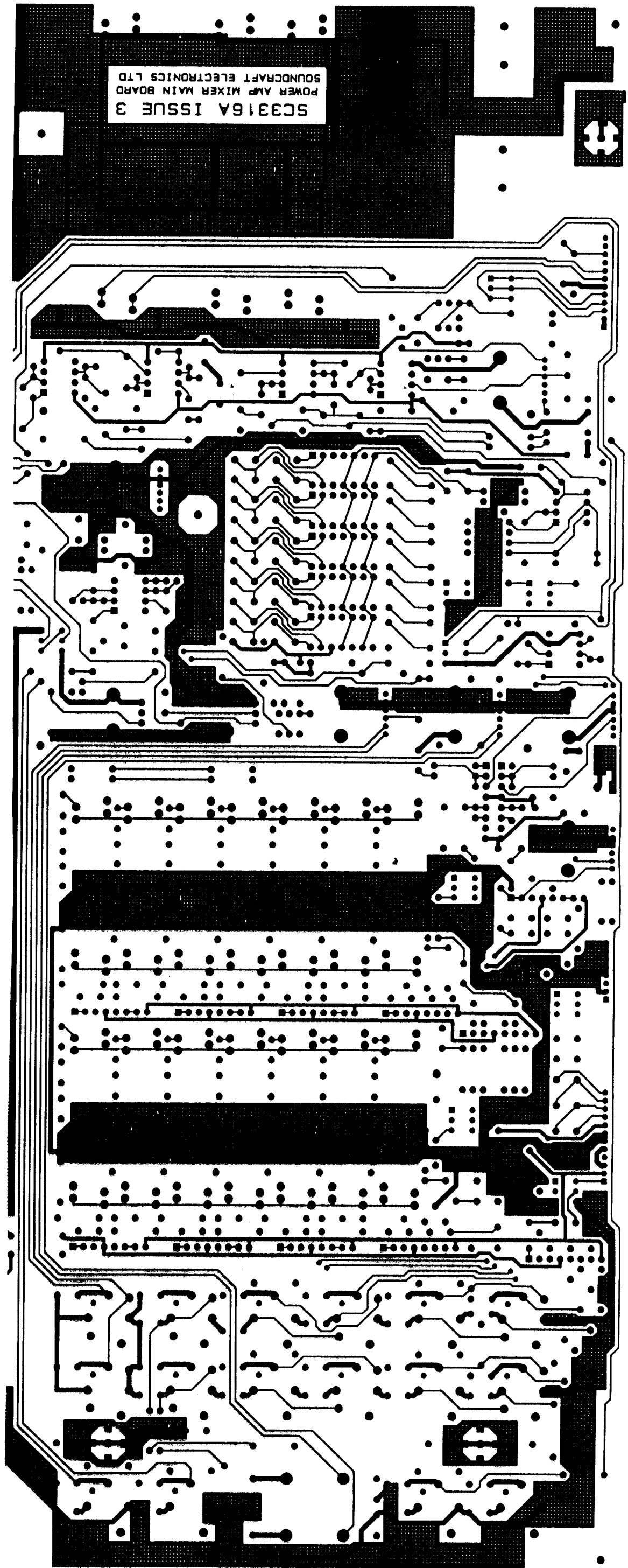
REV. RC3316

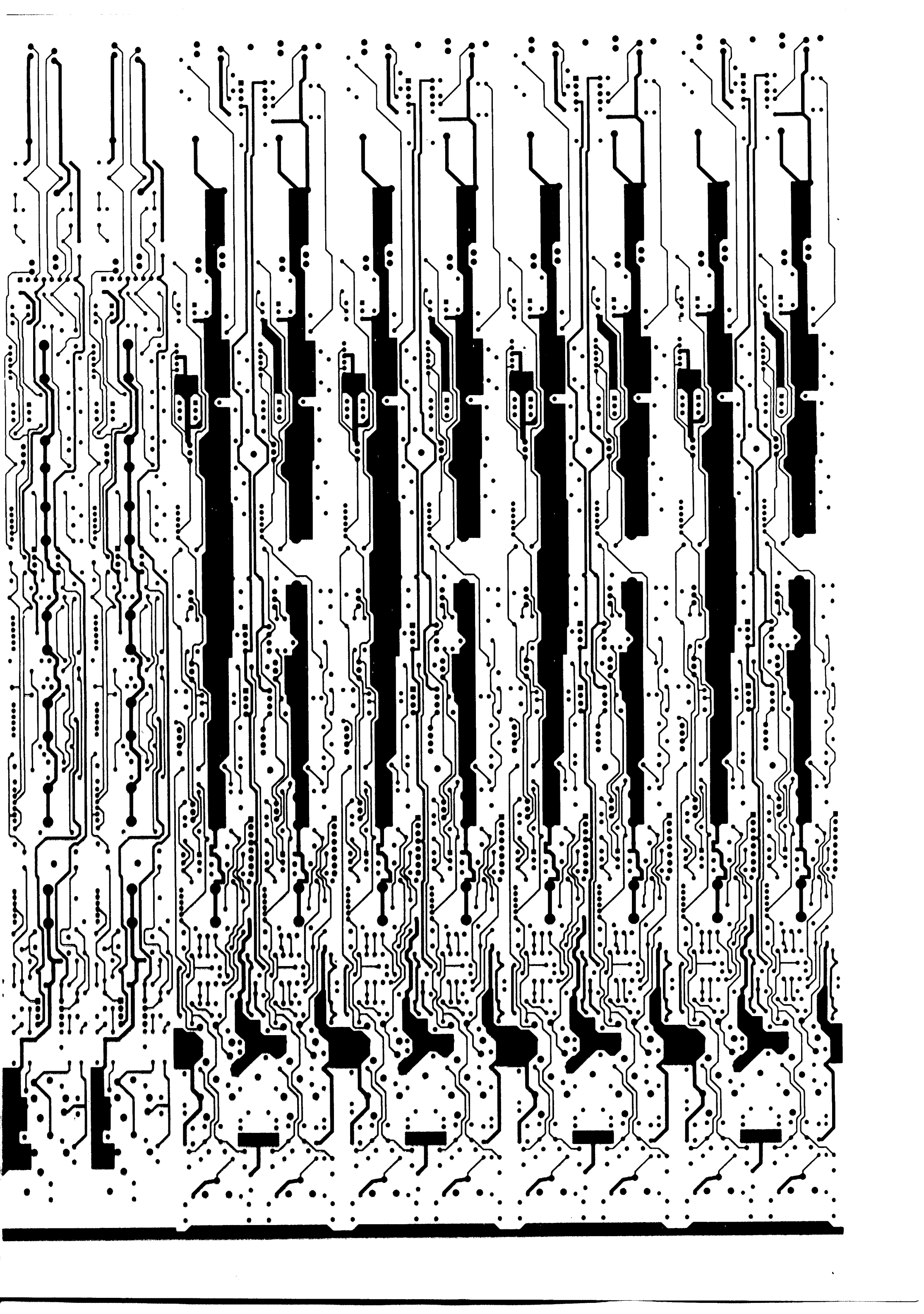
REV.	REV.	REV.	REV.	REV.	REV.
A.1	A.1.C	NOV	T/P	A.P.B	A.T.B
A.1.C	A.1.C				

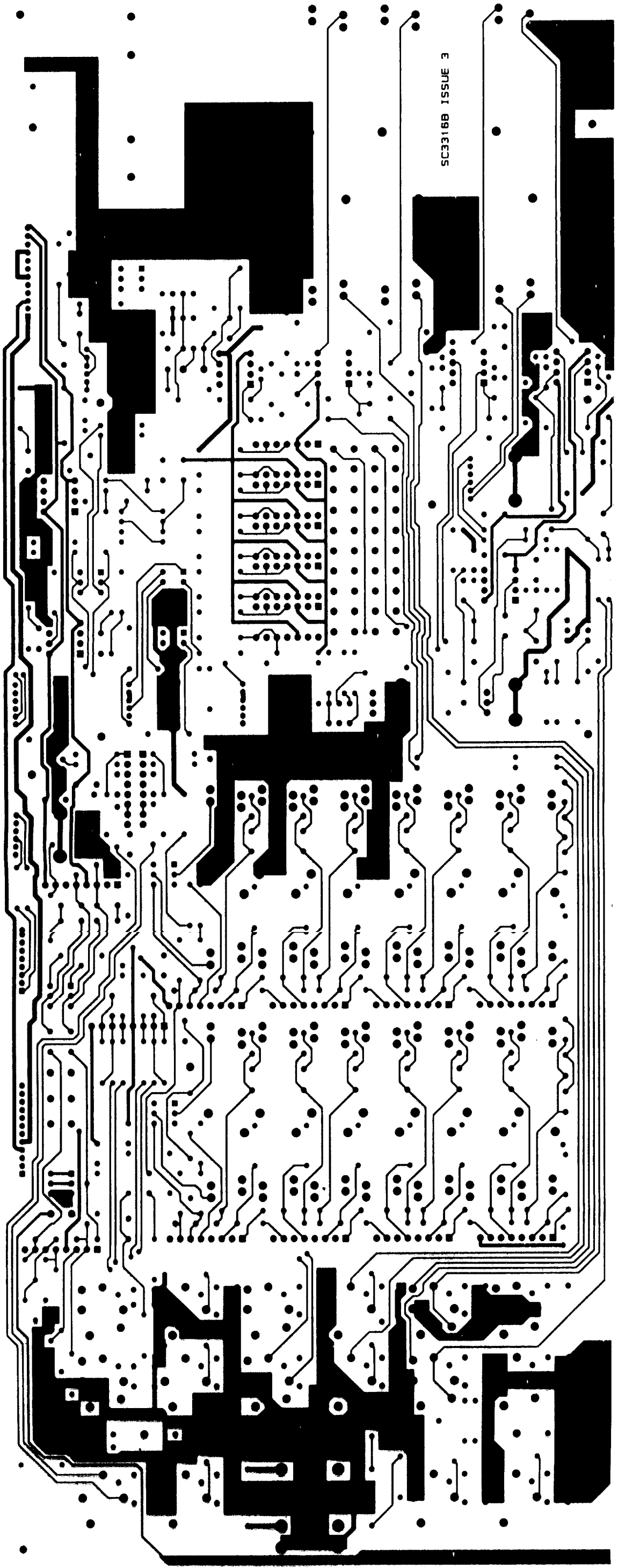
SC3316B ISSUE 3  
POWER AMP MIXER MAIN BOARD  
SOUND CRAFT ELECTRONICS LTD.



SC3316A ISSUE 3  
POWER AMP MIXER MAIN BOARD  
SOUNDCRAFT ELECTRONICS LTD







SC3316B ISSUE 3