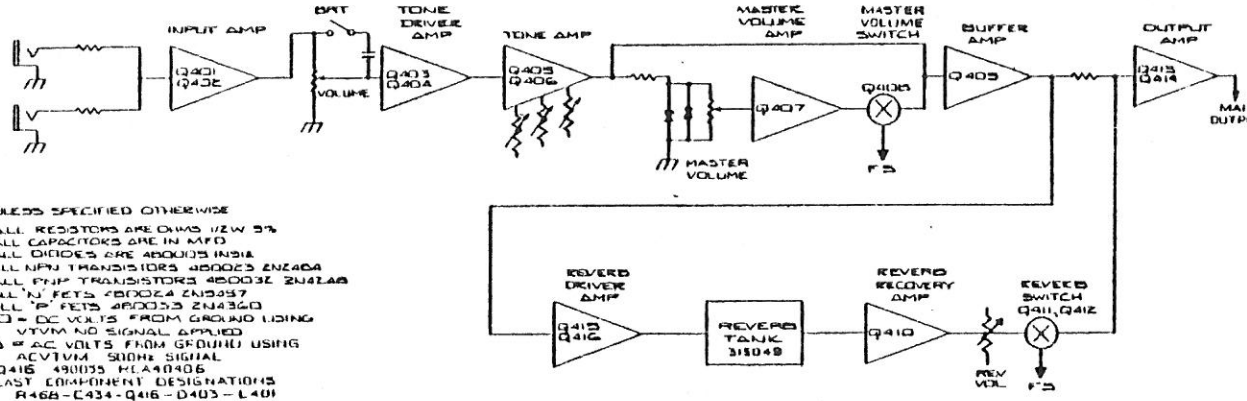
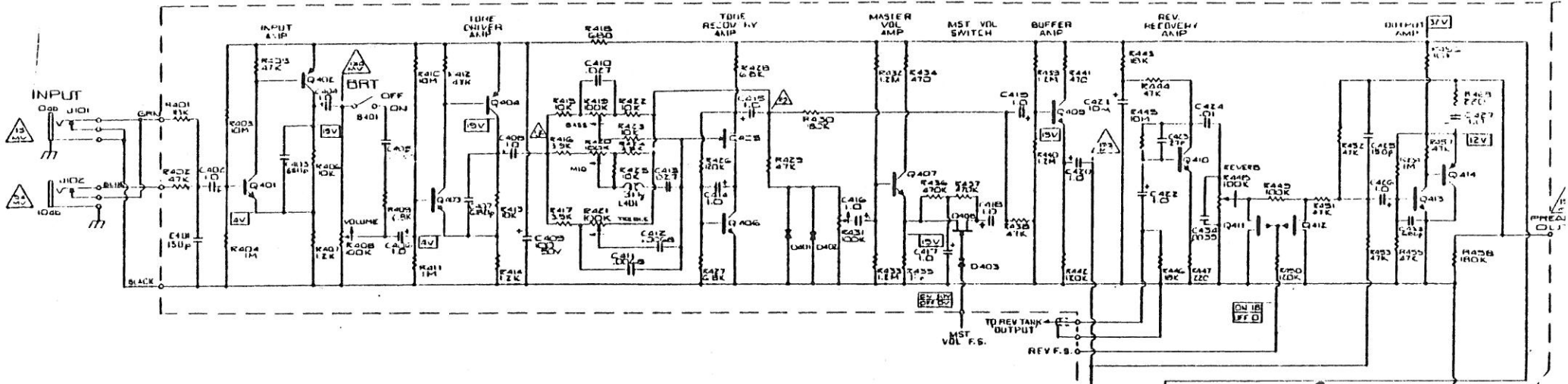


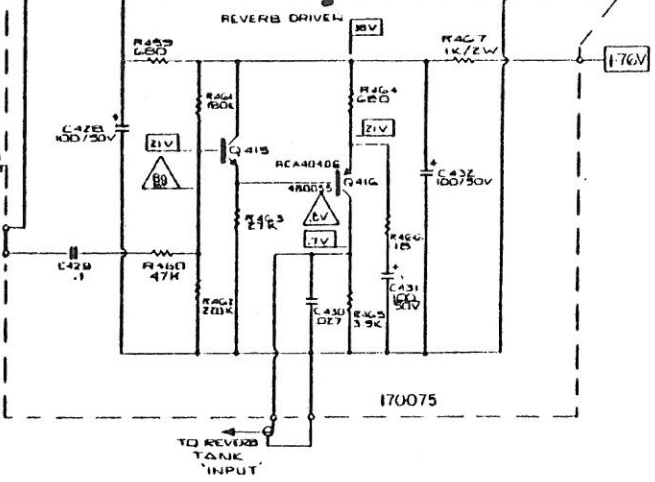
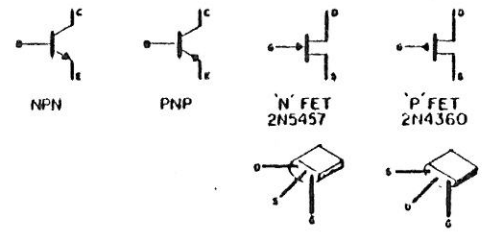
REF DWGS

PREAMP 170075	DI593
POWER SUPPLY	CI613
POWER AMP	CI571
POWER AMP	CI592
MASTER SCHEMATIC 114/115	EI583

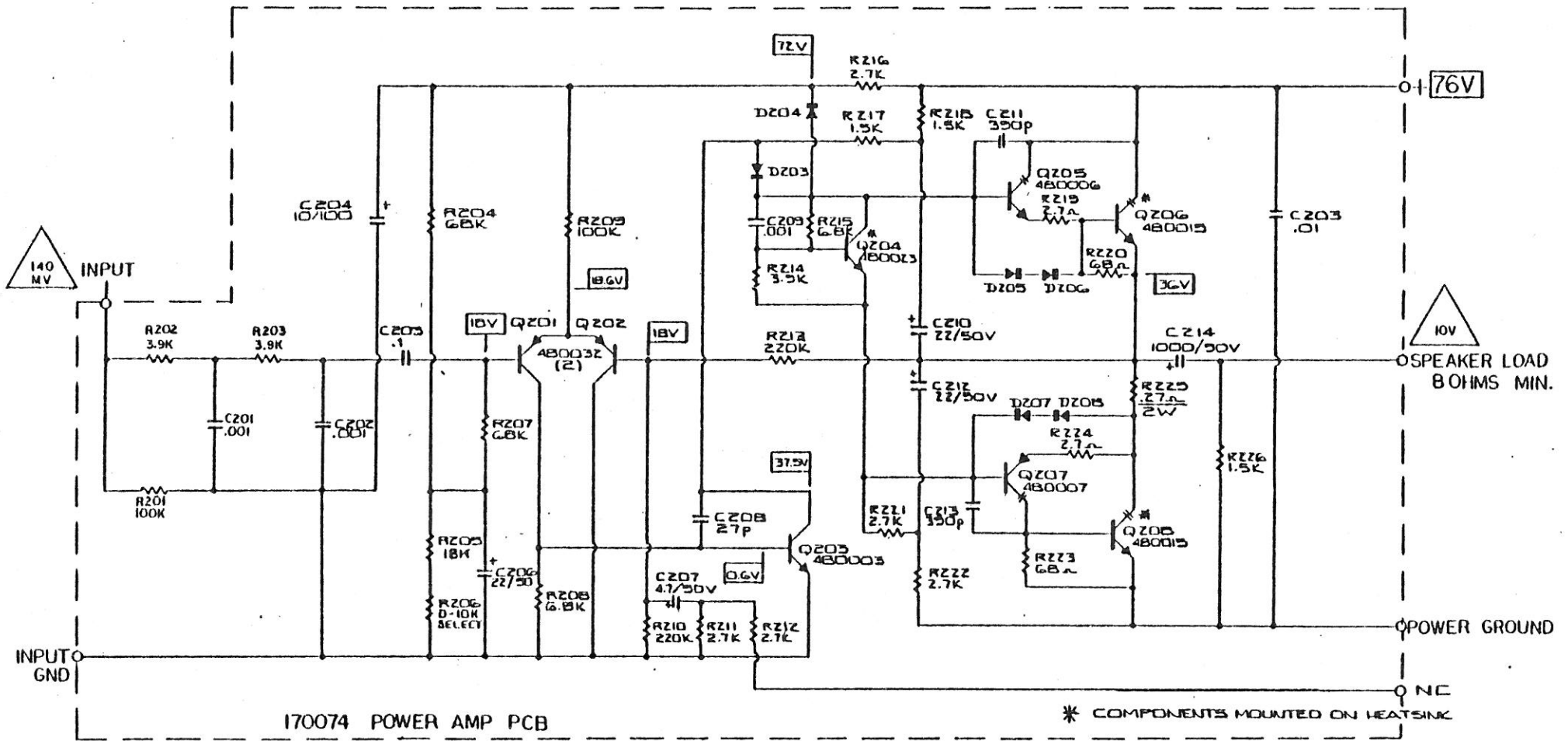
BY	DATE	<b>acoustic control corp</b> van nuys, california 91408
DRAWN R. ANGUINO	8-1-77	
CHECKED		
APPROVED <i>[Signature]</i>	8/1/77	
PROPRIETARY INFORMATION		TITLE
ALL INFORMATION CONTAINED IN THIS DOCUMENT IS THE PROPERTY OF acoustic control corp. AND IS NOT TO BE DIVULGED OR EMPLOYED IN ANY WAY WITHOUT SPECIFIC APPROVAL FROM acoustic control corp.		BLOCK SCHEMATIC MODEL 114/115
SIZE	DRAWING NO.	
C	CODE PART NO. 1614	REV
SCALE	DO NOT SCALE THIS PRINT	



- NOTES: UNLESS SPECIFIED OTHERWISE
1. ALL RESISTORS ARE OHMS UNLESS OTHERWISE SPECIFIED
  2. ALL CAPACITORS ARE IN MFD
  3. ALL DIODES ARE ARCADIS IN51A
  4. ALL NPN TRANSISTORS 450003 2N426A
  5. ALL PNP TRANSISTORS 450003 2N414A
  6. ALL 'N' FETS 480024 2N5357
  7. ALL 'P' FETS 480023 2N4340
  8.  $\square$  = DC VOLTS FROM GROUND LIDING
  9.  $\Delta$  = AC VOLTS FROM GROUND USING ACVTVM 500Hz SIGNAL
  10. Q416 480035 KLA40405
  11. LAST COMPONENT DESIGNATIONS  
R468 - C434 - Q416 - D403 - L401



B UNLESS C434 AND C435 NOTE 11		10-3-77	
A UNLESS R468, R473 AND C434 NOTE 11		7-6-77	
BY	DATE	acoustic control corp	
DRAWN BY	10-23-77	van nuys, california 91408	
CHECKED		TITLE	
APPROVED		SCHEMATIC 170075 PCB	
<small>ALL INFORMATION CONTAINED HEREIN IS THE PROPERTY OF ACOUSTIC CONTROL CORP. AND IS NOT TO BE REPRODUCED OR TRANSMITTED IN ANY MANNER WITHOUT SPECIFIC WRITTEN PERMISSION FROM ACOUSTIC CONTROL CORP.</small>			
SIZE	DRAWING NO	PART NO	REV
D	4	1593	B
SCALE	DO NOT SCALE THIS PRINT		

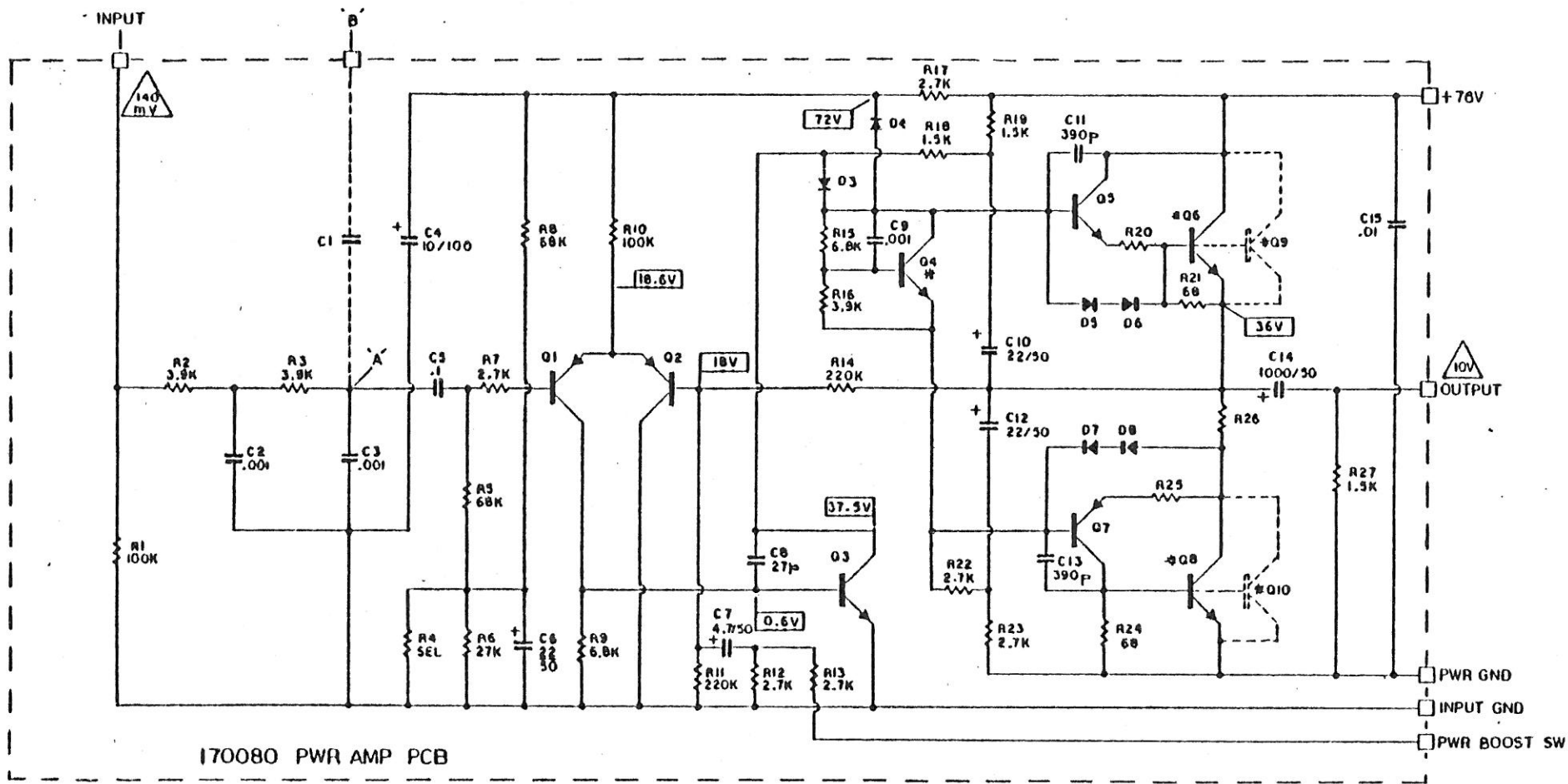


- NOTES: UNLESS NOTED OTHERWISE
1. ALL RESISTORS ARE IN OHMS 1/2W 5%
  2. ALL CAPACITORS ARE IN MFD
  3. ALL DIODES ARE 480005 1N314
  4. ALL NPN TRANSISTORS 480023 2N2484
  5. ALL PNP TRANSISTORS 480032 2N424B
  6. □ = DC VOLTS FROM GROUND USING VTVM NO SIGNAL APPLIED
  7. △ = AC VOLTS FROM GROUND USING ACVTVM 1K HZ SIGNAL

SEMICONDUCTORS		
COMP #	ACOUSTIC P/N	MFG P/N
Q203	480003	RCA 4040B
Q205	480006	RCA 4040S
Q207	480007	RCA 4041D
Q206, 208	480015	SPECIAL

PRINTED CIRCUIT BOARD 170074  
 SUB ASSEMBLY P/N B30042 PCB ONLY  
 SUB ASSEMBLY P/N B30043 COMPLETE WITH HEATSINK

B	D201 & D202 DELETED	4-6-77	17A
A	R205 WAS 22K - R206 WAS 1.5K	4-26-77	17A
DRAWN BY <i>[Signature]</i>		DATE 4-27-77	
CHECKED <i>[Signature]</i>			
APPROVED BY <i>[Signature]</i>		DATE 4-28-77	
PROPRIETARY INFORMATION ALL INFORMATION CONTAINED IN THIS DOCUMENT IS THE PROPERTY OF acoustic control corp. AND IS NOT TO BE DIVULGED OR EMPLOYED IN ANY WAY WITHOUT SPECIFIC APPROVAL FROM acoustic control corp.		TITLE <b>POWER AMPLIFIER</b>	
MODEL <b>115</b>		SIZE <b>C</b>	DRAWING NO. <b>1571</b>
CODE <b>3</b>		PART NO. <b>1571</b>	REV <b>B</b>

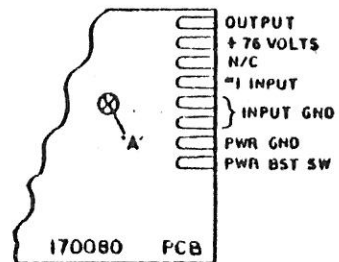


170080 PWR AMP PCB

\* COMPONENTS MOUNTED ON HEATSINK

NOTES UNLESS NOTED OTHERWISE

- 1 RESISTORS ARE IN OHMS 1/2W 5%
- 2 CAPACITORS ARE IN MFD
- 3 DIODES ARE INDI4 480005
- 4 □ - DC VOLTS FROM GROUND USING VTVM  
NO SIGNAL APPLIED
- 5 △ - AC VOLTS FROM GROUND USING ACVTVM  
1K HZ SIGNAL
- 6 R4 LIMITS - LOW 68K - HIGH ∞
- 7 LAST COMPONENT DESIGNATIONS  
R27 - C15 - Q10 - D8

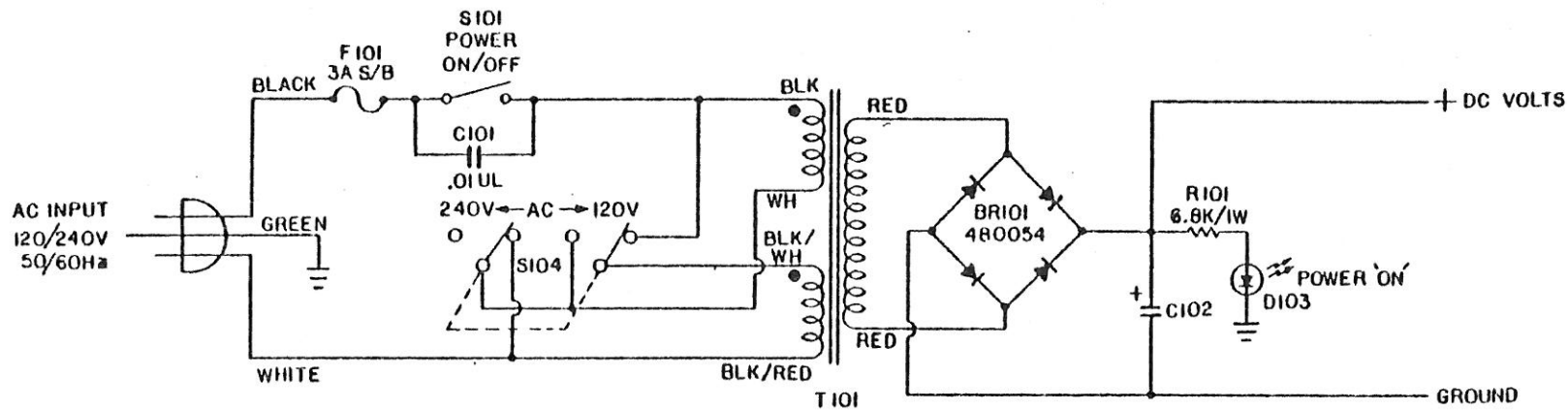


170080 PCB

COMP	ACOUSTIC P/N	MFG P/N
Q1 & 2	480032	2N4240
Q3	480003	RCA4040B
Q4	480023	PN2484
Q5	480008	RCA40409
Q7	480007	RCA40410
Q6, 8, 9, 10	480015	SPECIAL

TABULATION			
MODEL	113	124/5	126
R20 & 23	2.7~	1~	1~
R26	.27/2W	.24/7W	.24/7W
C1	—	—	.1
Q9 & 10	NO	YES	YES

A   D142 DELETED		6-2-77	
BY	DATE	<b>acoustic control corp</b> van nuys, california 91408	
DRAWN <i>[Signature]</i>	5-17-77		
CHECKED			
APPROVED <i>[Signature]</i>	5-24-77	TITLE SCHEMATIC — PWR AMP PCB (170080)	
PROPRIETARY INFORMATION ALL INFORMATION CONTAINED IN THIS DOCUMENT IS THE PROPERTY OF acoustic control corp. AND IS NOT TO BE DISCLOSED OR EMPLOYED IN ANY WAY WITHOUT SPECIFIC APPROVAL FROM acoustic control corp.			
SIZE	DRAWING NO.	REV	
C	3	PART NO.	1592
SCALE	DO NOT SCALE THIS PRINT		



MODELS	T101	C102	DC VOLTS	F101 @ 120V 125V FUSE	F101 @ 240V 250V FUSE
114/115/116	560013 OR 560026	$\frac{3900}{80}$	76	3ASB	1.5ASB
124/125/126	560013 OR 560026	$\frac{7800}{100}$	76	3ASB	1.5ASB
220/230	560014	$\frac{7800}{100}$	87	5ASB	2.5ASB
320/330	560027	$\frac{7800}{100}$	98	6.25ASB	3ASB

BY	DATE	<b>acoustic control corp</b> van nuys, california 91406
DRAWN R. ANGLINO	7-28-77	
CHECKED		
APPROVED <i>[Signature]</i>	7-28-77	TITLE
<small>PROPRIETARY INFORMATION ALL INFORMATION CONTAINED IN THIS DOCUMENT IS THE PROPERTY OF acoustic control corp. AND IS NOT TO BE DIVULGED OR EMPLOYED IN ANY WAY WITHOUT SPECIFIC APPROVAL FROM acoustic control corp.</small>		AC POWER SUPPLY GUITAR AMP'S
SIZE	DRAWING NO.	
C	CODE 3	PART NO. 1613
SCALE		REV
		DO NOT SCALE THIS PRINT