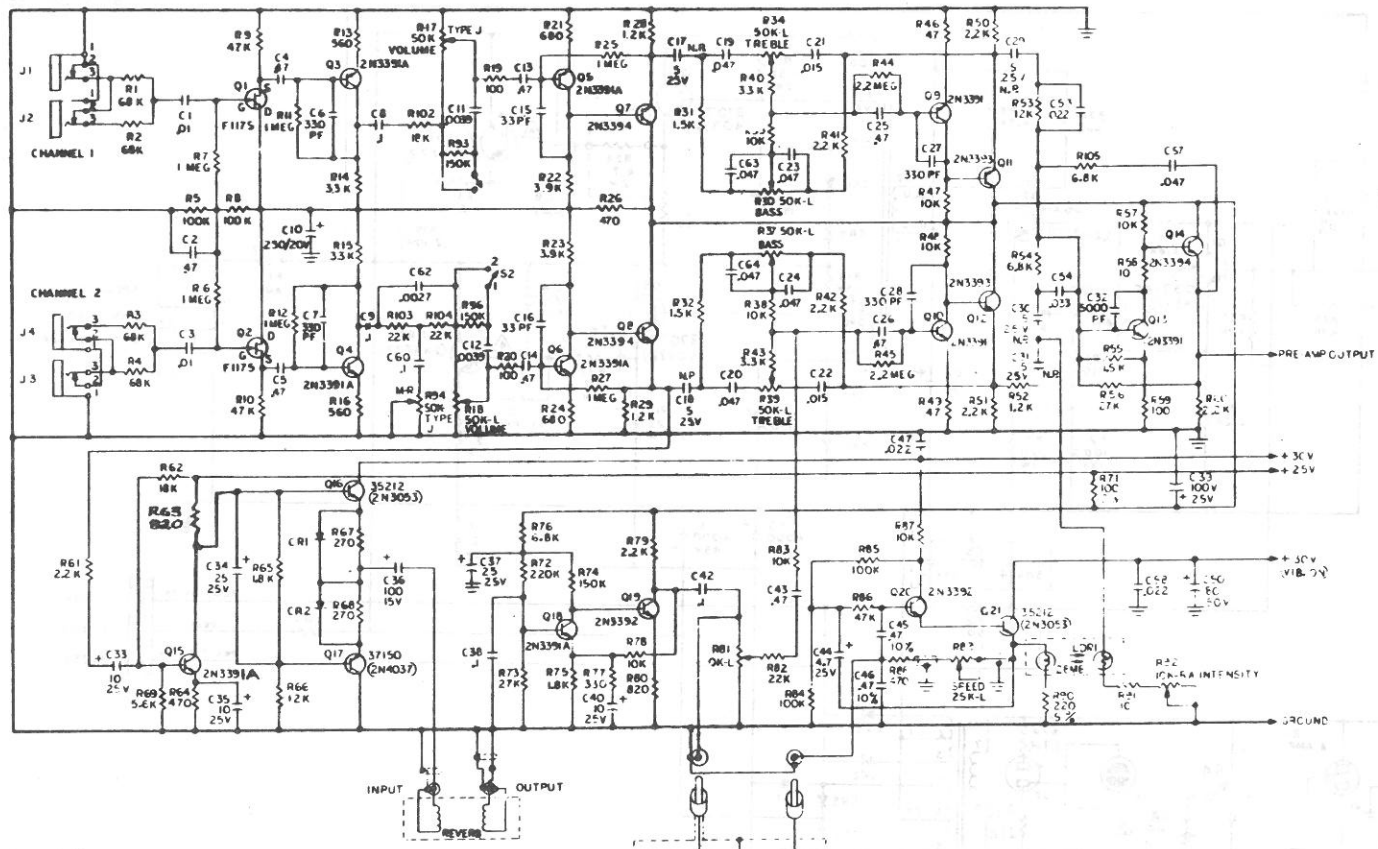
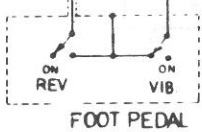


REVISIONS		APPROVED BY	DATE	APPROVAL
ECO	ADDED CONNECTING LINK FROM COLLECTOR Q15 TO BASE Q16	62333 J.V.	70	



- 8. ALL TRANSISTORS ARE SELECTED RCA AND G.E.
- 7. C41, C48, C49, C51, C52, C55, C56, C59, C61 AND 65 UP NOT USED
- 6. R33, R36, R70, R95, R98, R99, R100, R101 AND 105 UP NOT USED
- 5. C, P & Q DESIGNATIONS REFER TO PRINTED BOARD LOCATIONS
- 4. ALL CAPACITORS ARE RATED AT 50V DC VALUES IN MICROFARADS ±20%. ELECTROLYTICS -10% +100%
- 3. ALL COMPONENTS VOLTAGE VALUES ARE MINIMUM, ONLY HIGHER VOLTAGE VALUES MAY BE USED
- 2. ALL MOLDED RESISTORS ARE ALLEN BRADLEY
- 1. ALL RESISTORS ARE 1/2 WATT IN OHMS ±10% UNLESS OTHERWISE SPECIFIED



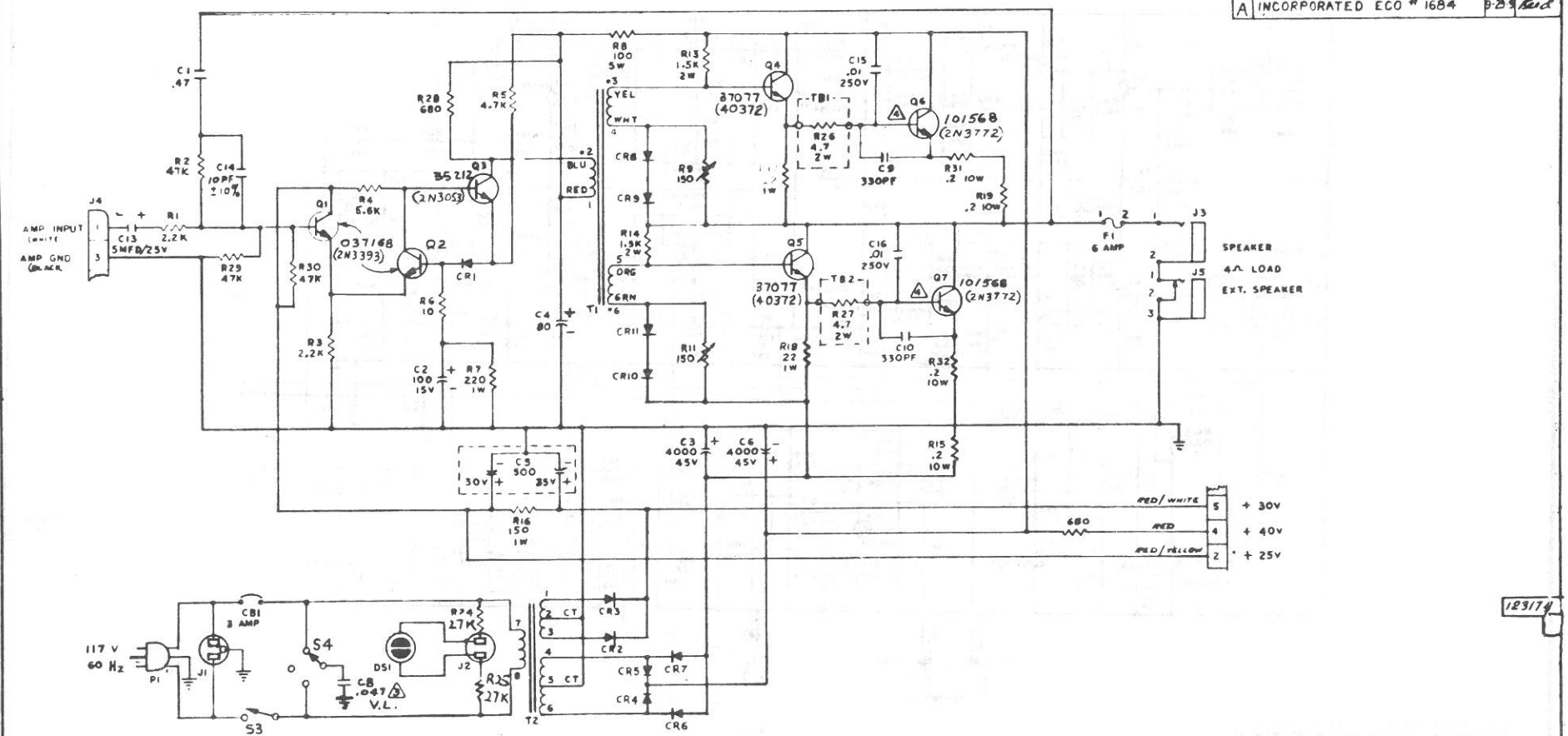
UNLESS OTHERWISE SPECIFIED		DRW	C LUNA	512-70	Rev
TOLERANCES		±1/32	±.010	±.015	
FRACTIONS		±.010	±.010	±.015	
INCHES		±.010	±.010	±.015	
ANGLES		±.010	±.010	±.015	
FRACTIONAL HOLES		±.010	±.010	±.015	
HOLES CORNERS		±.010	±.010	±.015	
HOLES DRILL		±.010	±.010	±.015	
UNLESS OTHERWISE SPECIFIED		FRESH			
UNLESS OTHERWISE SPECIFIED		ALL DIMENSIONS ARE IN INCHES		DO NOT SCALE DRAWING	
REL NO	REV	SUS NO	REV		
D		26637			
SCALE	MODEL	SEVERAL	SHEET	OF 1	

Pedco MUSICAL INSTRUMENTS
SANTA ANA, CALIFORNIA

DWG TITLE SCHEMATIC OF PEAMP
CRAFTY 4A (LIFRA)
CRAFTY 5A (CAPRICORN)
SOLID STATE

128637

REVISIONS			
REV	DESCRIPTION	DATE	APPROVED
A	INCORPORATED ECO # 1684	8-23-64	Red



10. Q4 & Q5 MATCHED BETA PAIRS. Q6 & Q7 MATCHED BETA PAIRS.
 9. C, R & Q DESIGNATIONS REFER TO PRINTED BOARD LOCATIONS
 8. () DENOTES RCA OR GE FAMILY FROM WHICH TRANSISTOR WAS SELECTED
 7. R8 AND R11 ARE ADJUSTED FOR 12 MV ACROSS R9 AND R15 RESPECTIVELY.
 6. ALL COMPONENTS VOLTAGE VALUES ARE MINIMUM ONLY HIGHER VOLTAGE VALUES MAY BE USED.
 5. ALL MOLDED RESISTORS ARE ALLEN-BRADLEY
- COMPONENT MOUNTED ON HEATSINK.
 "V.L." IS U.L. APPROVED CAPACITOR
 ALL CAPACITORS ARE RATED AT 50V DC. VALUES IN MICROFARADS ± 20% ELECTROLYTIC - 10% ± 100%
 ALL RESISTORS ARE 1/2 WATT, VALUES IN OHMS ± 10%
 NOTE: UNLESS OTHERWISE SPECIFIED

123174

ITEM NO.	QTY	DESCN	PART NO.	DESCRIPTION	MATERIAL	SPEC / NOTES
LIST OF MATERIALS						
LIMITS: OTHERWISE SPECIFIED DELIVER & SHIP SHARP EDGES				OWN: [Signature]		
TOLERANCES				DATE: 8/19/64		
XX -	XX -	XX -	XX -	XX -	XX -	XX -
RES -	RES -	RES -	RES -	RES -	RES -	RES -
ANGLES -	ANGLES -	ANGLES -	ANGLES -	ANGLES -	ANGLES -	ANGLES -
MATERIAL				DRAWING NO: 023174		
FINISH				SCALE: 1:1		
DATE: 8-19-64				REV: B		

MODELS CFA7004, CFA 7005
 RFD 4005
AMPLIFIER SS