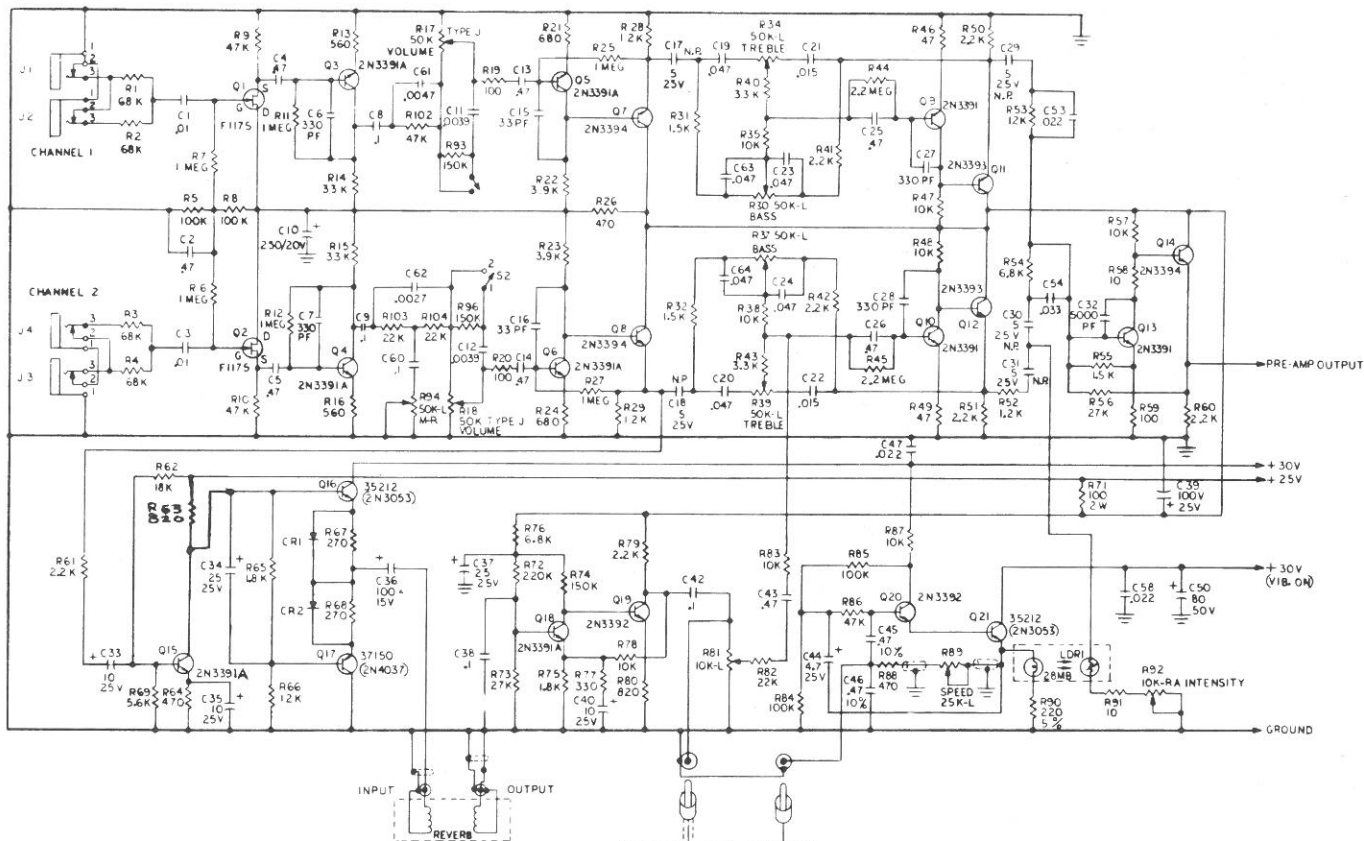
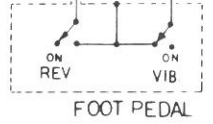


REVISIONS				
NO	BY	DESCRIPTION	REVISED BY	DATE
1		CONNECTING LINK FROM COLLECTOR Q15 TO BASE Q16 WAS ADDED	G.O.	3/31/70

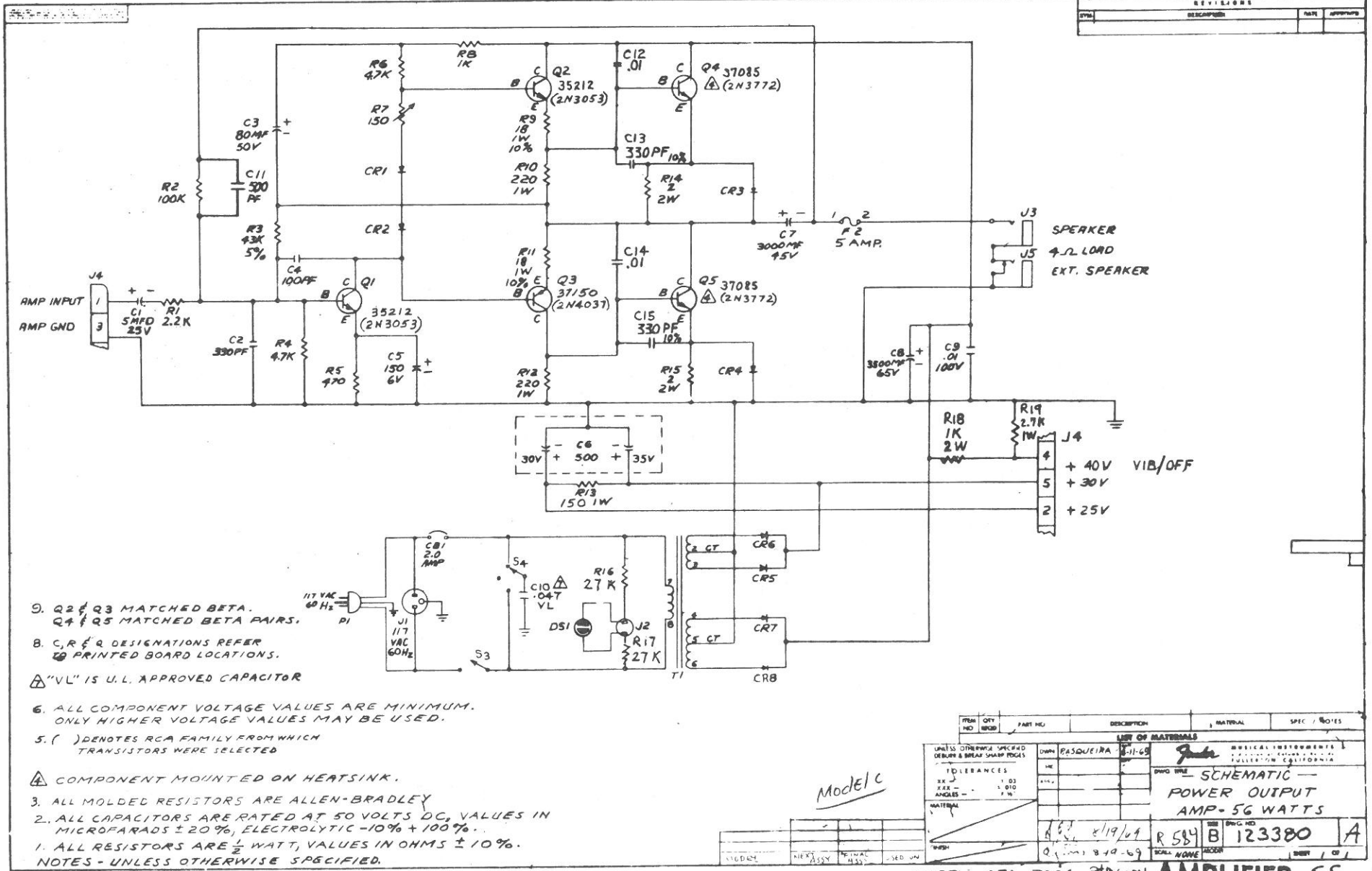


8. ALL TRANSISTORS ARE SELECTED RCA AND G.E.
 7. C41, C48, C49, C51, C52, C55, C56, C57, C59 AND 65 UP NOT USED
 6. R33, R36, R70, R95, R97, R98, R99, R100, R101 AND 105 UP NOT USED
 5. C, R & Q DESIGNATIONS REFER TO PRINTED BOARD LOCATIONS
 4. ALL CAPACITORS ARE RATED AT 50V DC VALUES UNLESS OTHERWISE SPECIFIED
 3. ALL COMPONENTS VOLTAGE VALUES ARE MINIMUM, ONLY HIGHER VOLTAGE VALUES MAY BE USED
 2. ALL MOLDED RESISTORS ARE ALLEN BRADLEY
 1. ALL RESISTORS ARE 1/2 WATT IN OHMS $\pm 10\%$ UNLESS OTHERWISE SPECIFIED



UNLESS OTHERWISE SPECIFIED		DWN	C. LUNA	CHK	3-10-70	Fender MUSICAL INSTRUMENTS SANTA ANA, CALIFORNIA	
FRAXIONS	TOLERANCES						
X							
XXX							
ANGLES							
HOUR							
HOUR							
HOUR							
HOUR							
CFAT006A		UNPARALLELED ANGLES ARE 90°		FINISH		REL. NO. D 128553	
USED ON		ALL DIMENSIONS ARE IN INCHES		DO NOT SCALE DRAWING		SCALE MODEL SCORPIO SHEET 1 OF 1	

128553



REV. LOG			
DATE	DESCRIPTION	BY	APP'D

- 9. Q2 & Q3 MATCHED BETA.
Q4 & Q5 MATCHED BETA PAIRS.
 - 8. C, R & Q DESIGNATIONS REFER TO PRINTED BOARD LOCATIONS.
 - △ "VL" IS U.L. APPROVED CAPACITOR
 - 6. ALL COMPONENT VOLTAGE VALUES ARE MINIMUM. ONLY HIGHER VOLTAGE VALUES MAY BE USED.
 - 5. () DENOTES RCA FAMILY FROM WHICH TRANSISTORS WERE SELECTED.
 - △ COMPONENT MOUNTED ON HEATSINK.
 - 3. ALL MOLDED RESISTORS ARE ALLEN-BRADLEY
 - 2. ALL CAPACITORS ARE RATED AT 50 VOLTS DC, VALUES IN MICROFARADS ± 20%, ELECTROLYTIC - 10% + 100%.
 - 1. ALL RESISTORS ARE 1/2 WATT, VALUES IN OHMS ± 10%.
- NOTES - UNLESS OTHERWISE SPECIFIED.

FROM	QTY	PART NO.	DESCRIPTION	MATERIAL	SPEC / NOTES
LIST OF MATERIALS					
UNLESS OTHERWISE SPECIFIED DELIVERY & BREAK SHARP EDGES					
DWG PASQUEIRA 2-11-69					
TOLERANCES					
XX			± .03		
XX			± .010		
XX			± .1%		
MATERIAL					
A 5/19/69 R 584 B 123380 A					
Q () 8-19-69					
SCALE NONE					
SHEET 1 OF 1					

MODEL CFA 7006 RD 6004 **AMPLIFIER 55** 74%