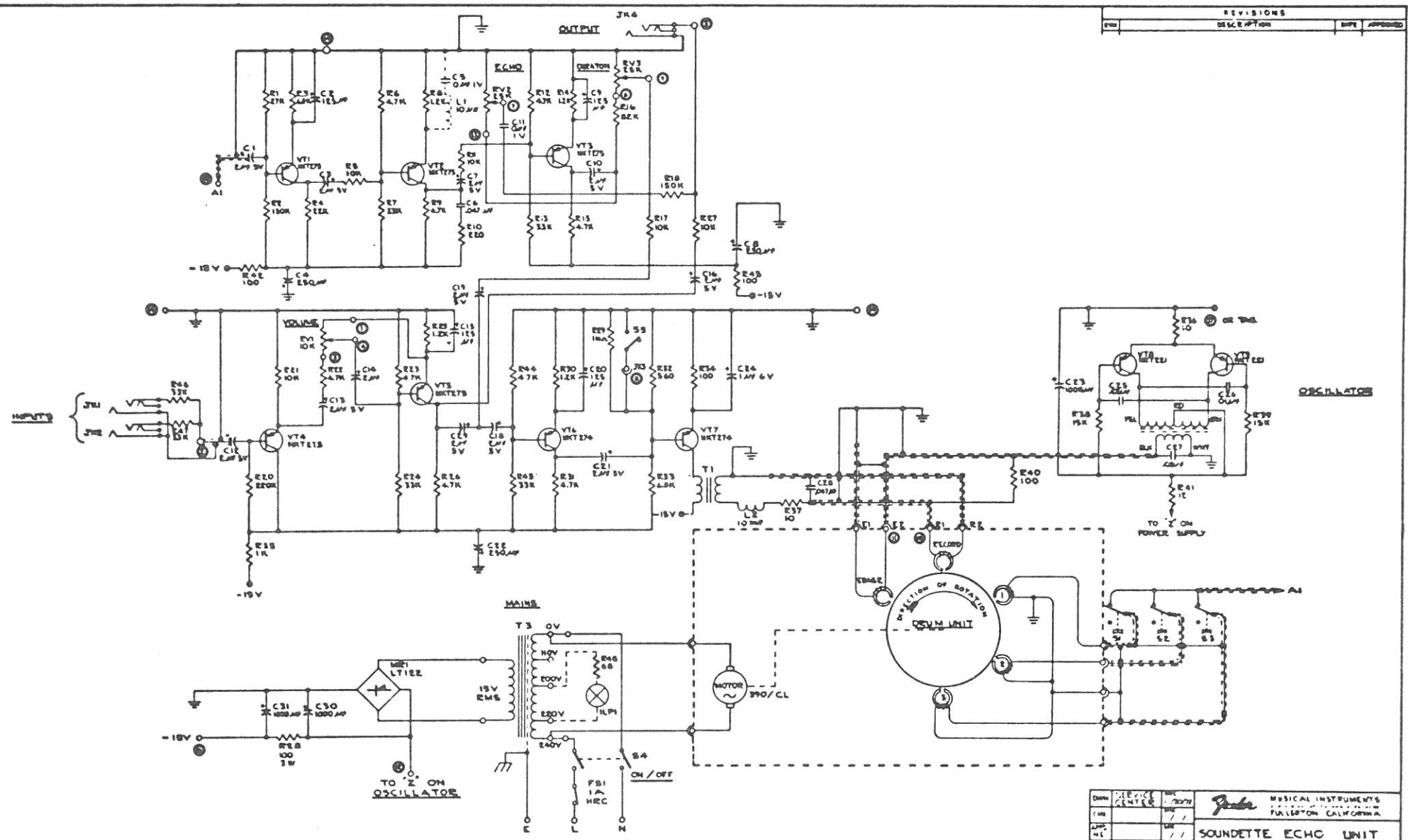


REVISIONS		
NO.	DESCRIPTION	DATE



OPTIONAL COMPONENTS
 1LPI - C6 - C8
 R48 - R10 - L1

1. ALL TRANSISTORS EXP. DES ARE VT
 2. ALL RESISTORS ARE IN OHMS 2 1/2 5 1/2 W
 3. SYMBOLS (1) TO (6) INDICATES PIN CONNECTIONS ON 17 PIN SOCKET
 4. LEADS FROM LOCATING KEY
 NOTES UNLESS OTHERWISE SPECIFIED

DATE	SERVICE CENTER	BY	NO.

Jude MEDICAL INSTRUMENTS
 FULLERTON, CALIFORNIA

SOUNDETTE ECHO UNIT
 (SERVICE CENTER DWG)

REV. NO. _____ DATE _____

SCALE _____ DRAWN BY _____

SHEET 1 OF 1