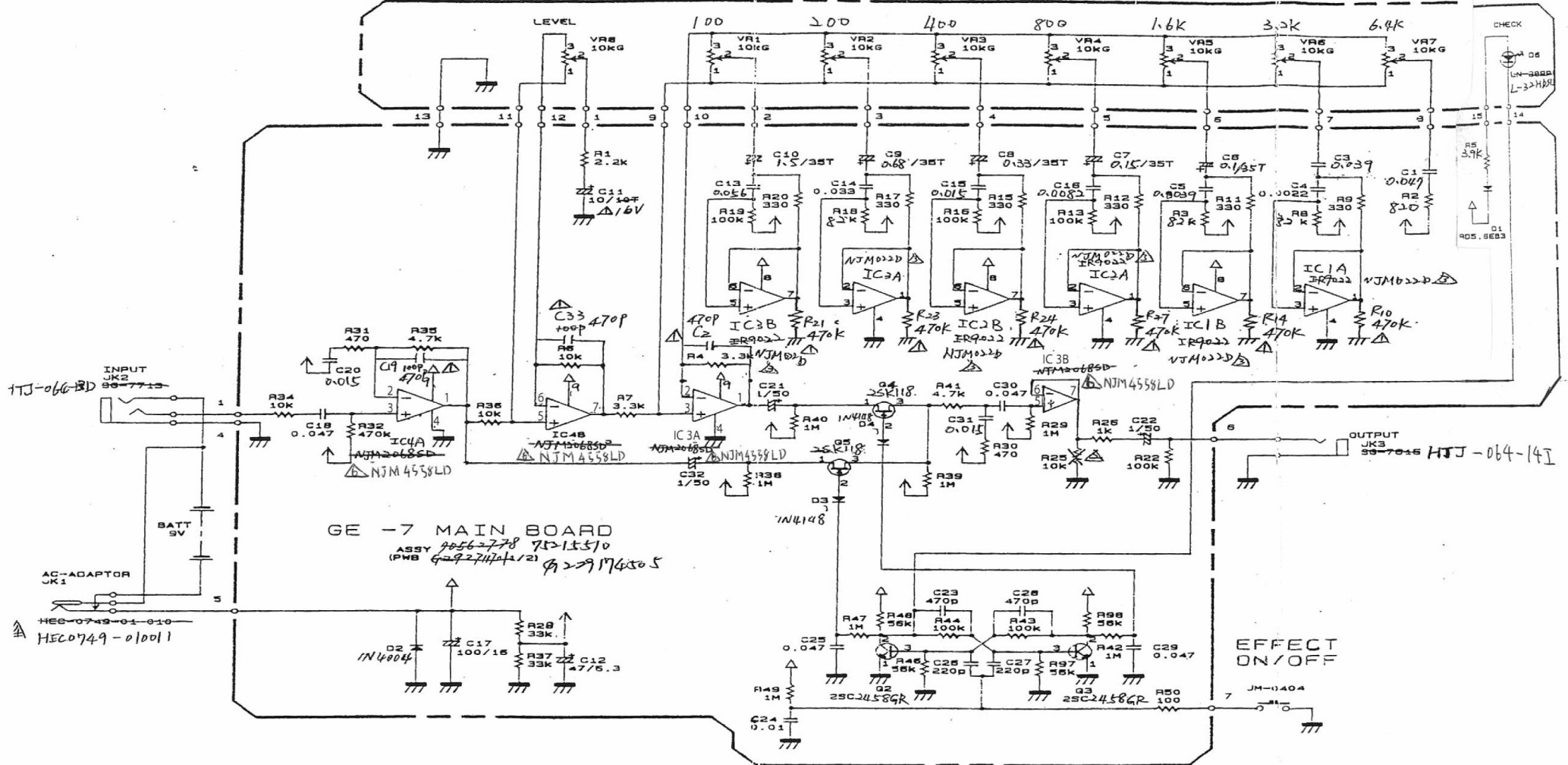


VR BOARD

ASSY 70562778 00 75-155000
(PWB 6292742/2) 2271745905

RA2041-20-15F3-W14-C



GE -7 MAIN BOARD

ASSY 70562778 75-15510
(PWB 6292742/1) 227174505

EFFECT ON/OFF

OUTPUT JK3 50-70±6 HTJ-064-14J

INPUT JK2 90-77±3 HTJ-066-8D

BATT 9V

AC ADAPTOR JK1

HEC-0749-01-010 HEC0749-010011