

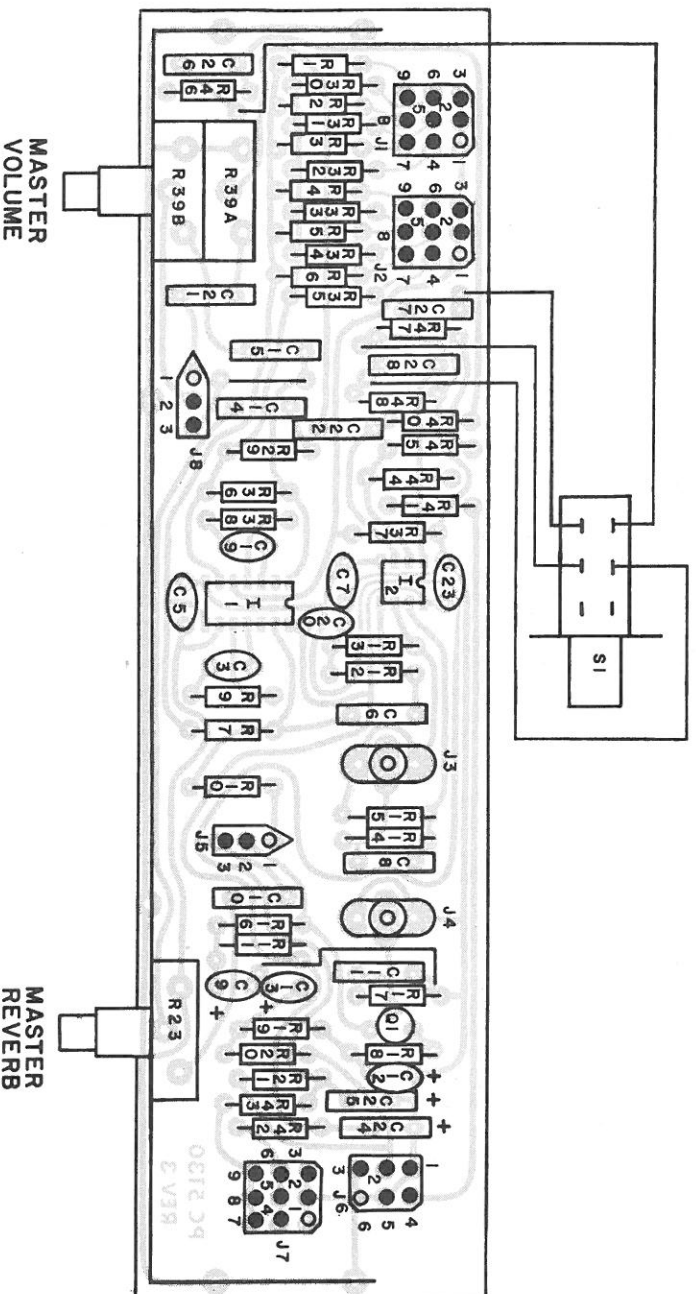
## NOTES:

1. ALL RESISTORS ARE 1/2W, 10%, UNLESS NOTED.
2. ALL CAPACITOR VALUES ARE IN MICROFARADS, UNLESS NOTED.
3. JUMPER PINS 2 & 3 OF J5 ON CLUB P.A.
4. JUMPER PINS 1 & 3 OF J8 ON CLUB P.A.

SYMBOL	KUSTOM PART NO.	REF NO'S NOT USED	HIGHEST REF. NO'S
I1	007-7015-00	C16	C1
I2	007-7023-00	R22	C2
J1, J2, J7	030-2036-00	R24	C4
J6	030-2035-00	R25	C17
J5	030-2034-00	R26	C18
J3, J4	030-1003-00	R27	R8
Q1	007-0008-00	R28	
R23	133-0021-00		
R39	133-0053-00		

REV	NO	DATE	BY	CHK	DATE	SCALE	SHT OF	PART NUMBER
1	1072	6-73				NONE	1	002-5130-00
2	1137	11-73						

<b>Kustom.</b>		<b>ELECTRONICS, INC.</b>	
DRN Harryman		DATE 4-73	TOLERANCES NONE
CHK J. Spink		DATE 4-73	MATERIAL NONE
ENGR W. Baker		NAME SCHEMATIC DIAGRAM - MASTER CONTROL PC5130	
SCALE NONE		PART NUMBER 002-5130-00	



- J1 & J2
  1. CHAN GND
  2. CHAN GND
  3. CHAN GND
  4. CHAN INPUT
  5. CHAN INPUT
  6. CHAN INPUT
  7. CHAN REV INPUT
  8. CHAN REV INPUT
  9. CHAN REV INPUT
  
- J5
  1. TO ECHO INPUT
  2. TO ECHO OUTPUT
  3. TO ECHO OUTPUT
  
- J6
  1. REV GND
  2. TO REV FT. SW.
  3. GND
  4. OUTPUT
  5. OUTPUT GND
  6. GND
  
- J7
  1. GND
  2. GND
  3. GND
  4. +12 V
  5. +12 V
  6. +12 V
  7. -12 V
  8. -12 V
  9. -12 V
  
- J8
  1. FROM EQUALIZER
  2. TO EQUALIZER
  3. FROM EQUALIZER

REV	C O	NO	DATE	BY	<b>Rayston.</b>				<b>ELECTRONICS, INC.</b>			
					FORM	DATE	TOLERANCES	MATERIAL	CHANUTE, KANSAS 66720 MASTER CONTROL PC5130 PART NUMBER 300-5130-00			
					CMS	7-73	NONE	NONE				
					CHK	DATE	NAME		MASTER CONTROL PC5130 PART NUMBER 300-5130-00			
					A. Hall	8-73	MASTER CONTROL PC5130					
					LINE		SCALE		NONE OR			
					NONE		SMT OR					