

F-11

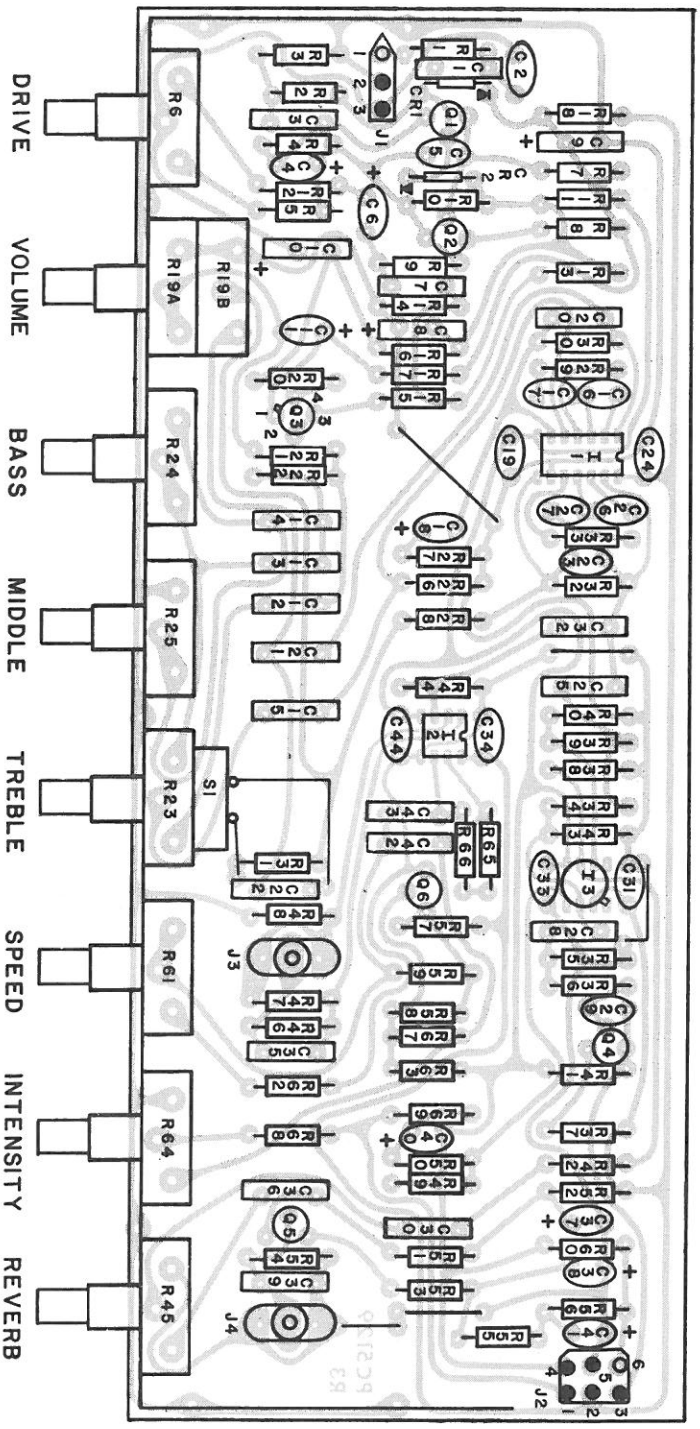
SYMBOL	KUSTOM PART NO.
Q1,Q4,Q5,Q6	007-0008-00
Q2	007-0009-00
Q3	007-0024-00
CR1,CR2	007-6016-00
I1	007-7015-00
I2	007-7023-00
I3	007-7041-00
J1	030-2034-00
J2	030-2035-00
J3,J4	030-1003-00
R6	133-0055-00
R19	133-0057-00
R23,R51	133-0035-00
R24	133-0034-00
R25	133-0033-00
R45	133-0022-00
R62	133-0038-00
R64	133-0039-00

NOTES:

1. ALL RESISTORS ARE 1/2W,10%,UNLESS NOTED.
2. ALL CAPACITOR VALUES ARE IN MICROFARADS,UNLESS NOTED.
3. ALL DIODES ARE IN4148, UNLESS NOTED.
4. VOLTAGE MEASUREMENTS ARE WITH POWER ON, NO SIGNAL, NO LOAD, AND MEASURED FROM COMMON GROUND.

HIGHEST REF NOS	REF NOS NOT USED
R69	
CR2	
Q6	
C44	
S1	
J4	

REV	NO	DATE	BY	CM'S	CM'S	CM'S	CM'S	Kustom ELECTRONICS, INC.	
1	1078	9-73	Harryman	4-73				TOLERANCES	MATERIAL
2	1108	9-73		4-73				NONE	NONE
3	1252	5-74						NAME SCHEMATIC DIAGRAM	
								PRE-AMP PC 5129	
								PART NUMBER	
								002-5129-00	



- J1
1. HI INPUT
 2. GND
 3. LO INPUT

- J2
1. TREM FT SW
 2. +12V
 3. OUTPUT
 4. -12V
 5. GND
 6. REV FT SW

REV	CO	NO	DATE	BY	Custom ELECTRONICS, INC. CHANUTE, KANSAS 66720	
					DWN CMS ENGR DATE 7-73	DATE 7-73
					NAME PRE-AMP PC 5129	MATERIAL NONE
					SCALE NONE	SMT OF 1
					PART NUMBER 300-5129-00	