

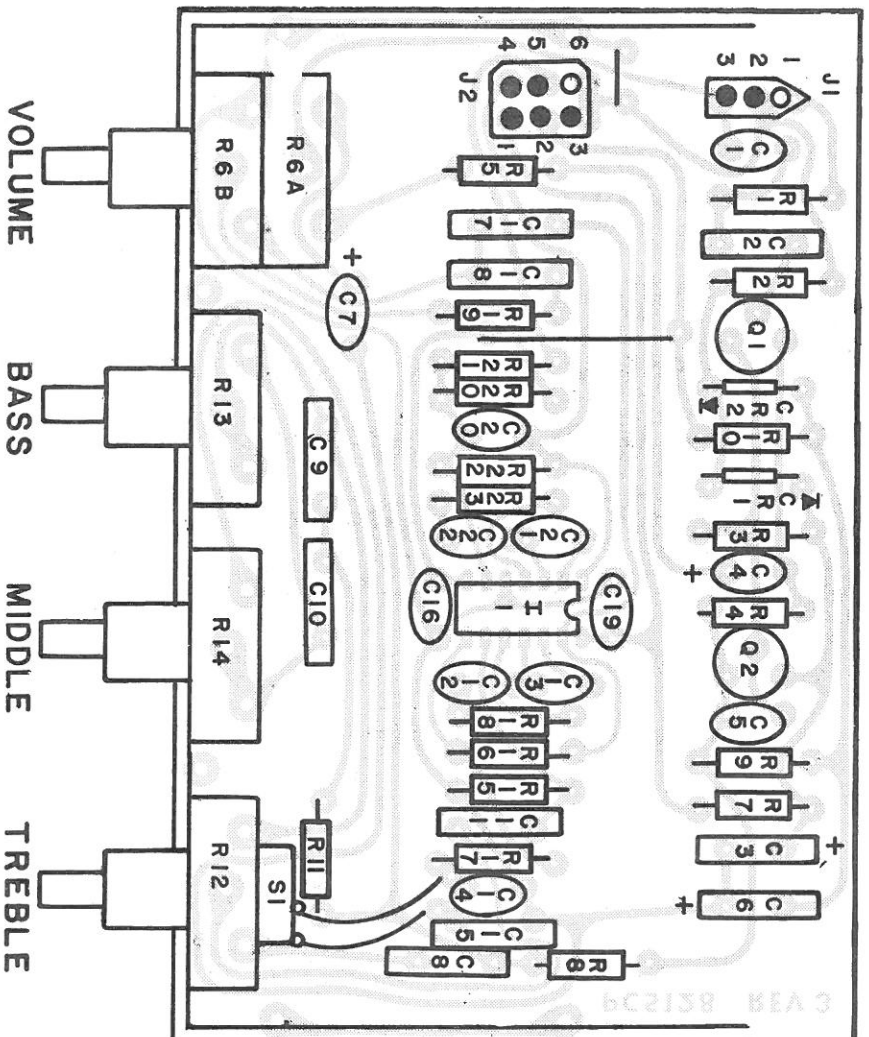
NOTES:

1. ALL RESISTORS ARE 1/2W, 10%, UNLESS NOTED.
2. ALL CAPACITOR VALUES ARE IN-MICROFARADS, UNLESS NOTED.
3. VOLTAGE MEASUREMENTS ARE WITH POWER ON, NO SIGNAL, NO LOAD, AND MEASURED FROM COMMON GROUND.

HIGHEST REF NOS	REF NOS NOT USED	SYMBOL	KUSTOM PART NO.
C22		CR1, CR2	007-6016-00
CR2		Q1	007-0008-00
I1		Q2	007-0009-00
J2		J1	030-2034-00
Q2		J2	030-2035-00
R23		R6	133-0053-00
		R12, R51	133-0035-00
		R13	133-0034-00
		R14	133-0033-00
		I1	007-7015-00

BY		DATE		TOLERANCES		MATERIAL	
DATE		DATE		NONE		NONE	
REV		DATE		NAME		PART NUMBER	
SCALE		SHT		PRE-AMP PC 5128		002-5128-00	
NONE		OF 1					

Kustom ELECTRONICS, INC.
CHANUTE, KANSAS 66730



J1

1. HI INPUT
2. INPUT GND
3. LO INPUT

J2

1. +12V
2. -12V
3. GND
4. OUTPUT
5. EXT. PREAMP INPUT
6. GND

REV	C	NO	DATE	BY						
Custom.					ELECTRONICS, INC.		CHANUTE, KANSAS		66720	
DIN		CMS		DATE		TOLERANCES		MATERIAL		
CHIK		7-73		7-73		NONE		NONE		
ENGR										
SCALE		NONE		SHT		OF		PART NUMBER		
				1		1		PRE-AMP PC 5128		
								300-5128-00		