

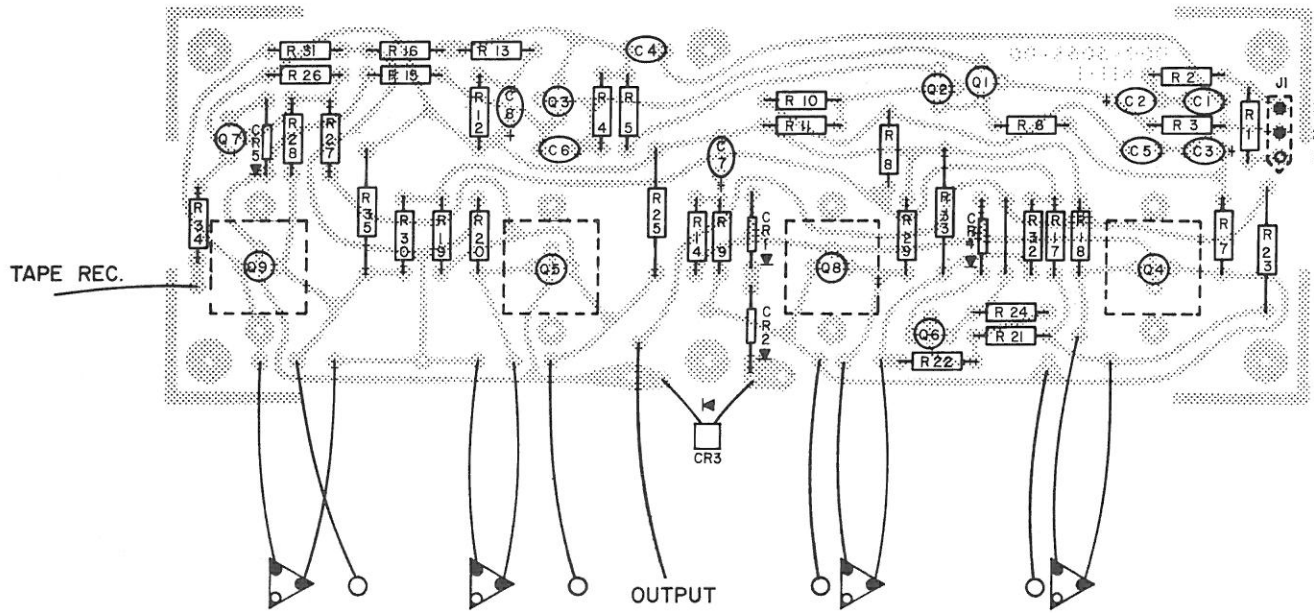
## NOTES:

1. ALL RESISTORS ARE 1/2W, 10%, UNLESS NOTED.
2. ALL CAPACITOR VALUES ARE IN MICROFARADS, UNLESS NOTED.
- \* 3. DIODE CR3 IS MOUNTED IN A CLIP ON THE CHASSIS.
4. TRANSISTORS Q10, Q11, Q12, & Q13 ARE MOUNTED IN A BRACKET ON THE CHASSIS.
5. VOLTAGE MEASUREMENTS ARE WITH POWER ON, NO SIGNAL, NO LOAD AND MEASURED FROM COMMON GROUND.

SYMBOL	KUSTOM PART NO.
CR1 & CR2	007-6011-00
CR3	007-6006-00
CR4 & CR5	007-6016-00
Q1 & Q2	007-0009-00
Q3	007-0002-00
Q4 & Q8	007-0011-00
Q5 & Q9	007-0012-00
Q6	007-0005-00
Q7	007-0006-00
J1	030-2034-00
Q10 THRU Q13	007-0000-00

REV	NO	DATE	BY
1	4-73	6-71	JTS
2	4-88	7-71	JTS
3	5-97	8-71	JTS
4	5-81	10-71	LS
5	10-92	4-72	LS

REV	PART NUMBER	DESCRIPTION	ITEM
<b>Kustom</b>		<b>ELECTRONICS, INC.</b> CHANUTE, KAN. 66720	
DRN	DATE	TOLERANCES	MATERIAL
SPAITS	5-71	NONE	NONE
CHK	DATE	NAME	
		SCHEMATIC DIAGRAM - POWER AMP PC5065	
ENGR		PART NUMBER	
SCALE	SHT	002-5065-00	
NONE	OF		



- J1  
 1. POWER MOD. JACK  
 2. GND.  
 3. INPUT

REV	C O	NO	DATE	BY	<i>Kustom.</i> <b>ELECTRONICS, INC.</b> CHANUTE, KANSAS 66720			
					JLS	7-71	NONE	NONE
					CHK	DATE	NAME	
					ENGR		POWER AMP PC5065	
					SCALE	SHT	PART NUMBER	
					NONE	OF	300-5065-00	