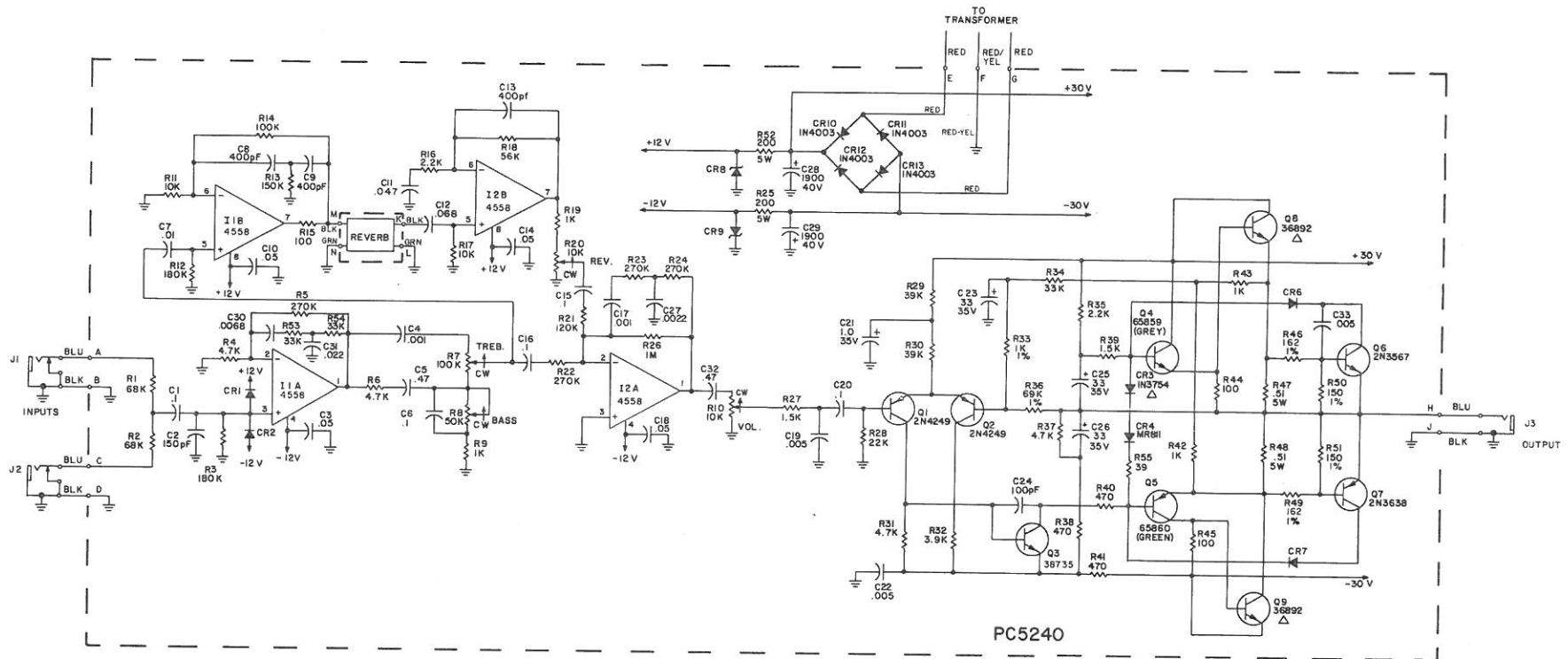


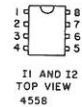
SA-23



HIGHEST REF NO. USED  
 R55  
 C33  
 I2  
 Q9  
 J3  
 CR13

REF. NO. NOT USED  
 CR5

NOTES:  
 1. ALL RESISTORS ARE 1/2 WATT, 10%, UNLESS NOTED.  
 2. ALL CAPACITOR VALUES ARE IN MICROFARADS UNLESS NOTED.  
 Δ 3, Q8, Q9, AND CR3 ARE MOUNTED ON A HEAT SINK.

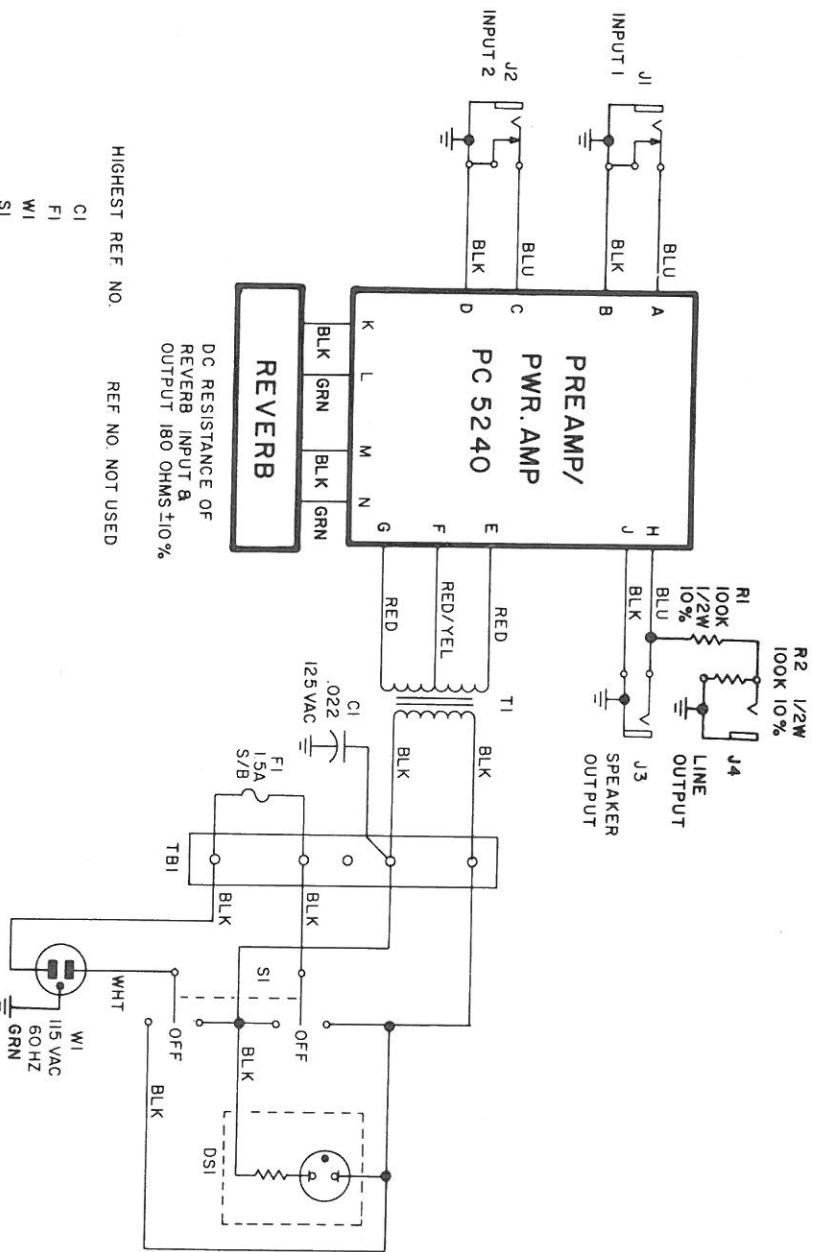


REV.	NO.	DATE	BY	CHKD.	DESCRIPTION
1	1	11/21/51	WJ	WJ	SCHEMATIC DIAGRAM
2	2	12/01/51	WJ	WJ	PREAMP/POWER AMP
3	3	10/7/51	WJ	WJ	SCHEMATIC DIAGRAM

<b>Matzke ELECTRONICS, INC.</b> CHANUTE, KANSAS 64710	
PART NO. MATZEK 521-76 QTY. 2-76 PRICE \$1.15 ps NONE or 1	TOLERANCES UNLESS NOTED DIMS. 1/16" ± .010 HOLES 1/16" ± .005 ANGLES 11° UNLESS NOTED SCHEMATIC DIAGRAM PREAMP/POWER AMP 002-5240-00





REV	C O NO	DATE	BY
1	1751	6-76	RH
2	1874	10-76	Schell
3	2004	3-77	SHAY
4	2056	5-77	Walter
5	2063	6-77	m.P.

<b>Custom.</b> ELECTRONICS, INC. CHANUTE, KANSAS 66720		DATE 3-77 DATE 3-77 DATE 3-77
DSN SHAY CDR Schell TBR Phillips SCALE NONE OF 1	NAME INTERCONNECT DIAGRAM KUSTOM V LEAD PART NUMBER 002-0160-00	TOLERANCES UNLESS NOTED: NONE