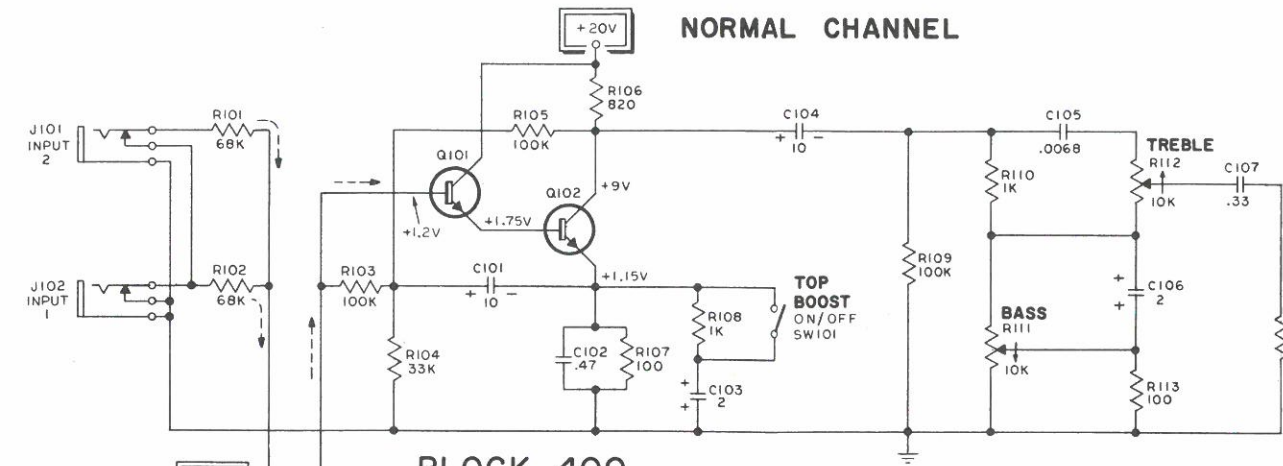
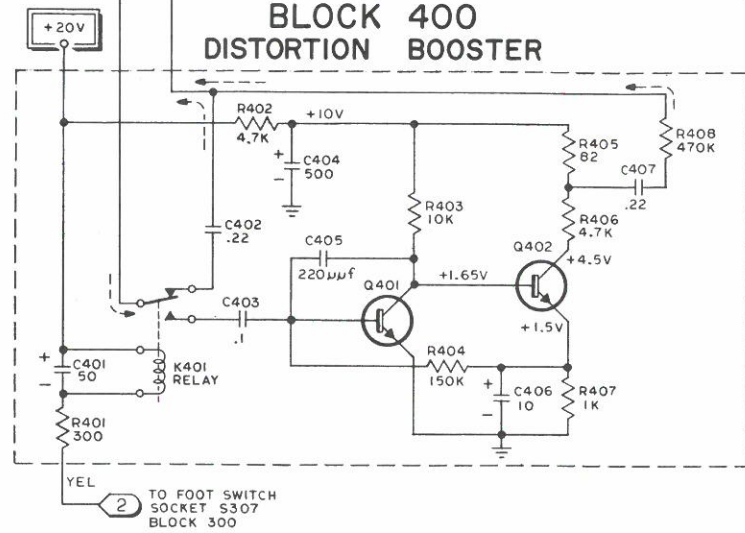


BLOCK 100

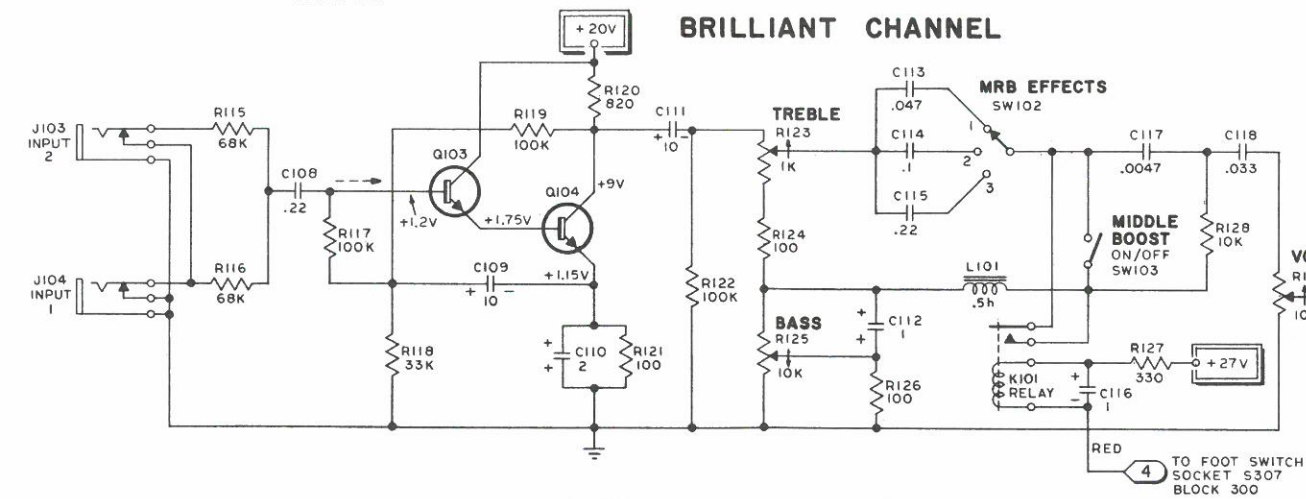
NORMAL CHANNEL



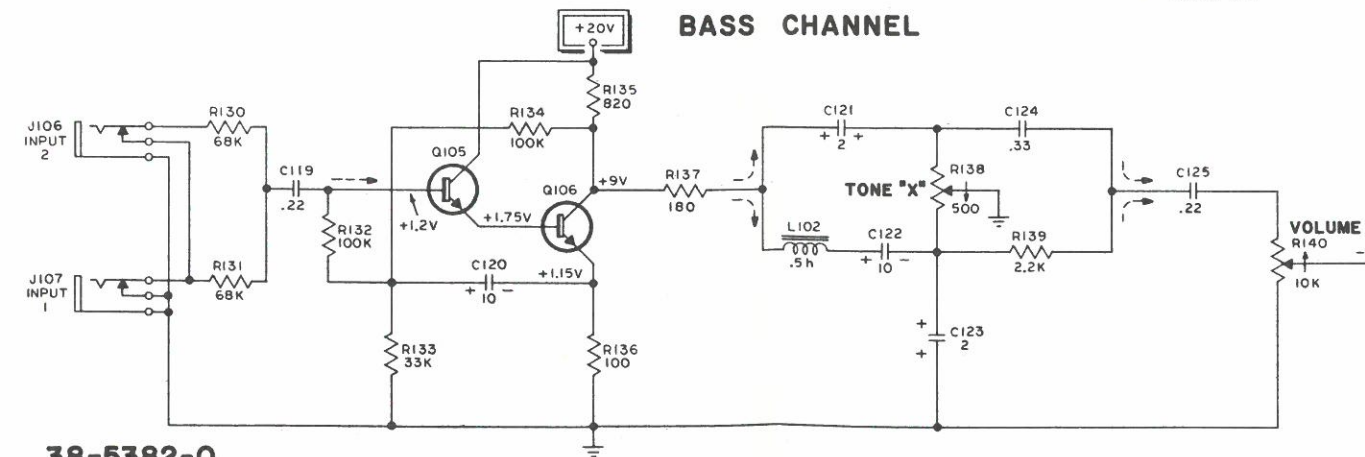
BLOCK 400 DISTORTION BOOSTER



BRILLIANT CHANNEL



BASS CHANNEL



BLOCK 200

REVERB CHANNEL

SW201-A

BRILLIANT

OFF

NORMAL

VOLUME

R114

10K

REVERB

SW201-B

BRILLIANT

OFF

NORMAL

REVERB CHANNEL

SW201-C

BRILLIANT

OFF

NORMAL

TREMOLO DEPTH

R218

3K

MIXER

SW201-D

BRILLIANT

OFF

NORMAL

REVERB CHANNEL

SW201-E

BRILLIANT

OFF

NORMAL

REVERB CHANNEL

SW201-F

BRILLIANT

OFF

NORMAL

REVERB CHANNEL

SW201-G

BRILLIANT

OFF

NORMAL

REVERB CHANNEL

SW201-H

BRILLIANT

OFF

NORMAL

REVERB CHANNEL

SW201-I

BRILLIANT

OFF

NORMAL

REVERB CHANNEL

SW201-J

BRILLIANT

OFF

NORMAL

REVERB CHANNEL

SW201-K

BRILLIANT

OFF

NORMAL

REVERB CHANNEL

SW201-L

BRILLIANT

OFF

NORMAL

REVERB CHANNEL

SW201-M

BRILLIANT

OFF

NORMAL

REVERB CHANNEL

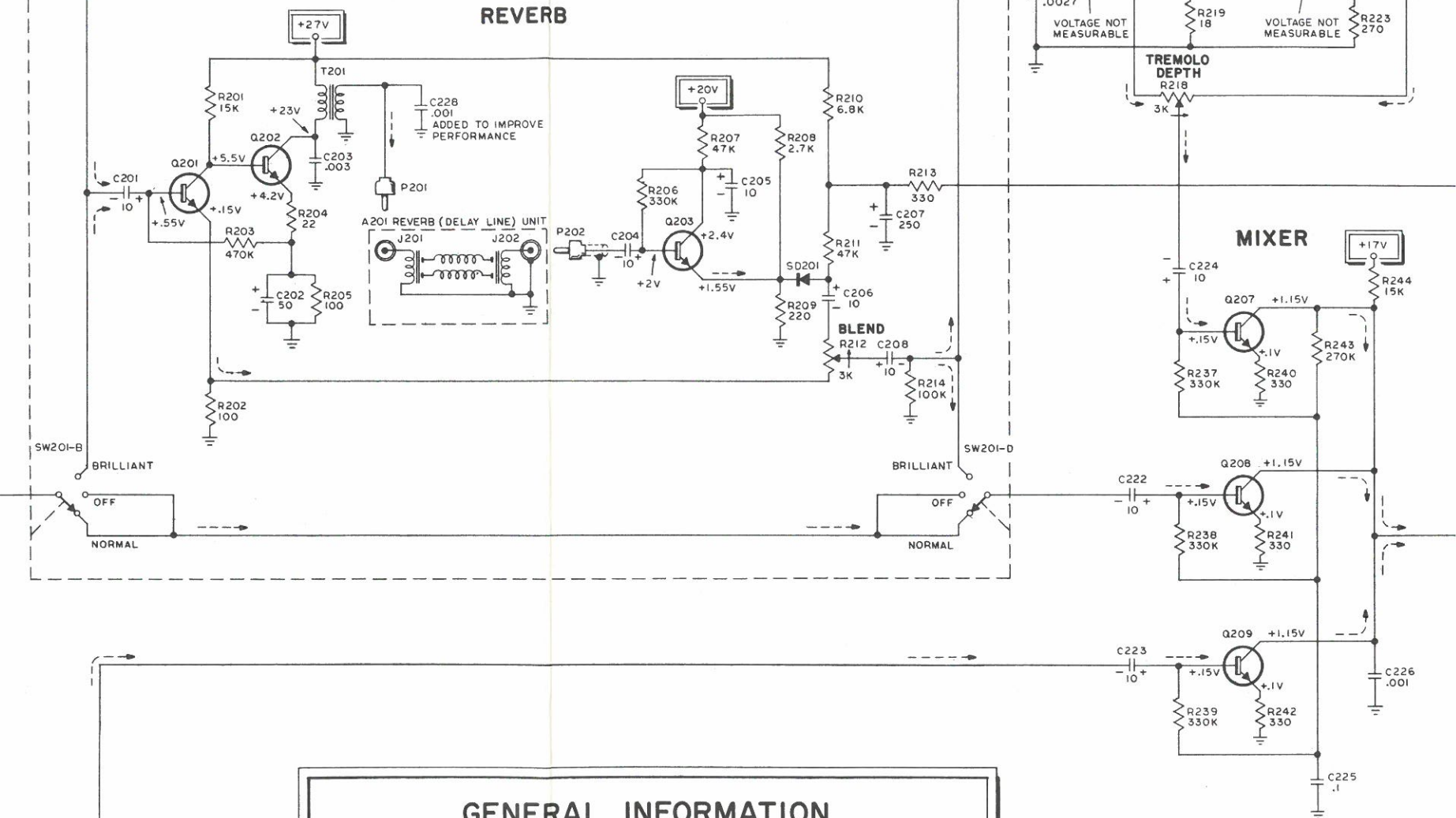
SW201-N

BRILLIANT

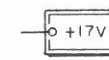
OFF

NORMAL

REVERB



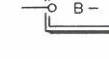
GENERAL INFORMATION



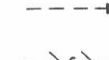
This symbol denotes the common connecting points for the various power supply connections throughout the organ. Note that several of these points are marked "source" which denotes the origin of the reference potential.



These symbols both represent B- (amplifier chassis ground).



Arrows indicate the direction of audio signal flow through the circuits.

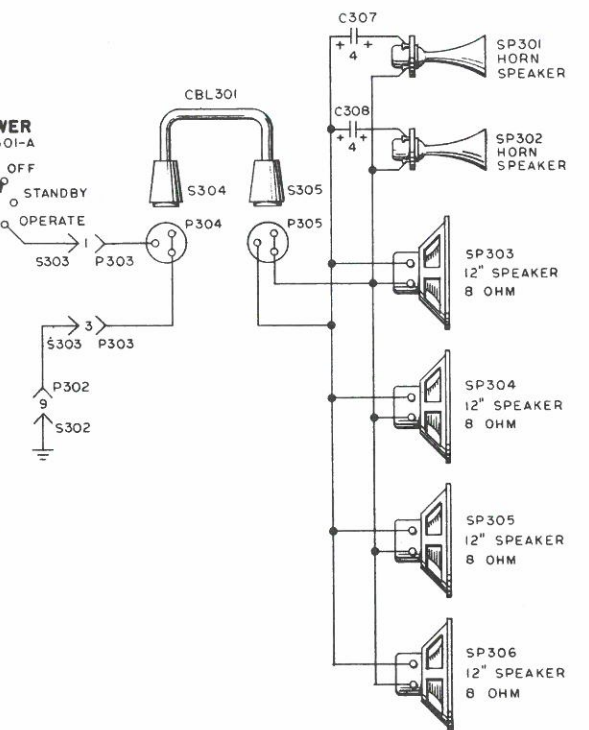
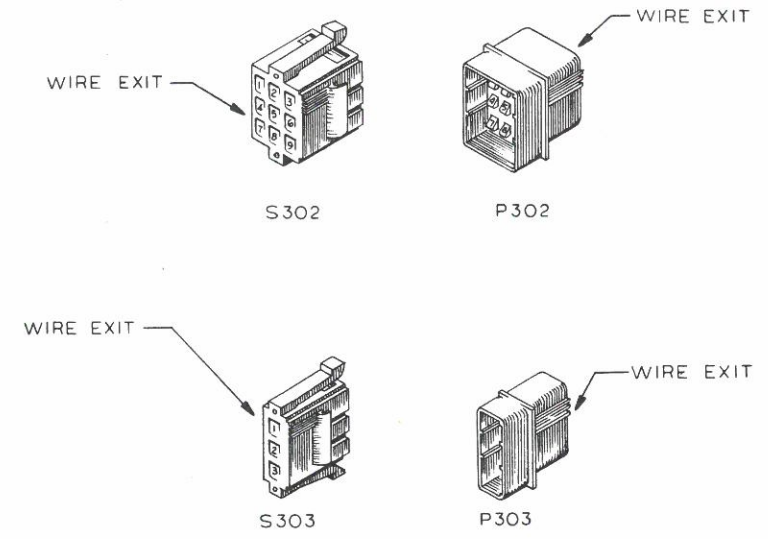
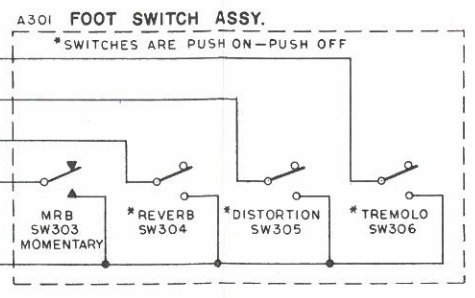
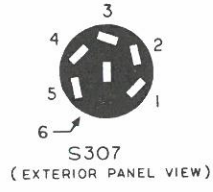
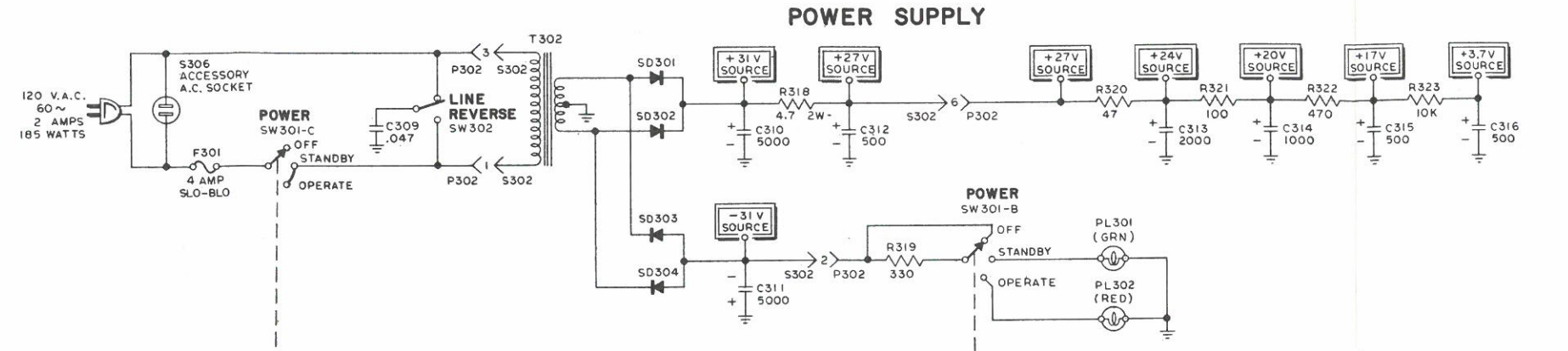
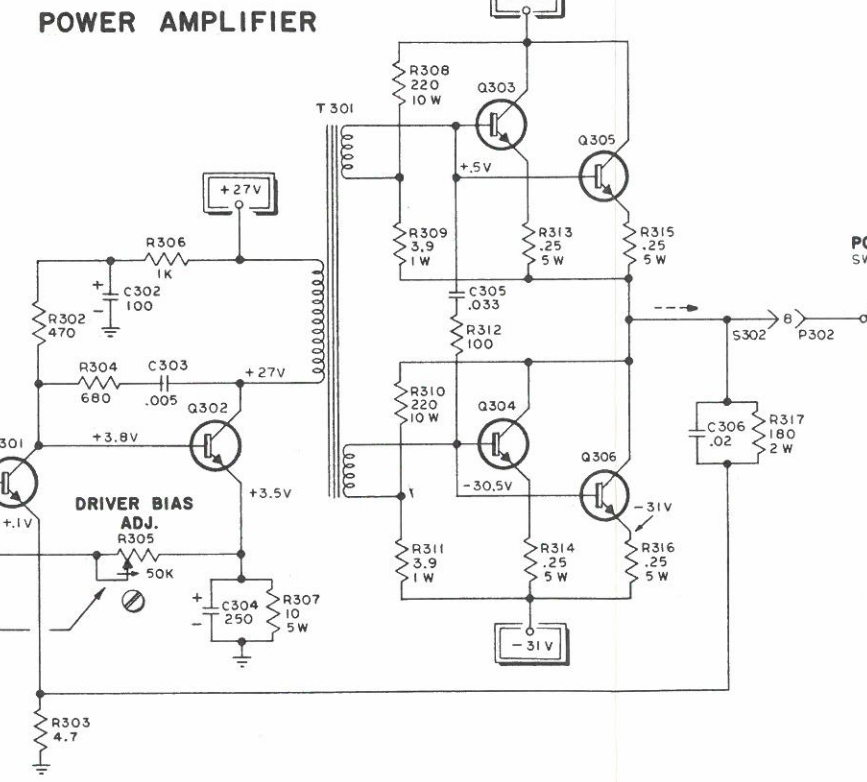
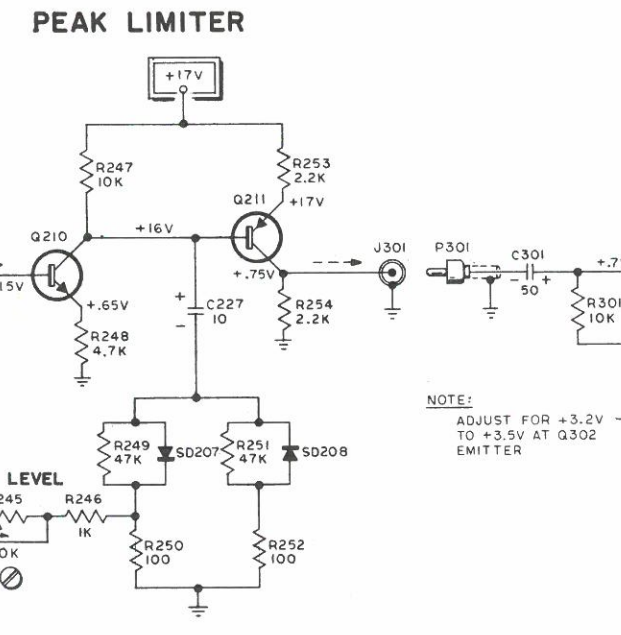
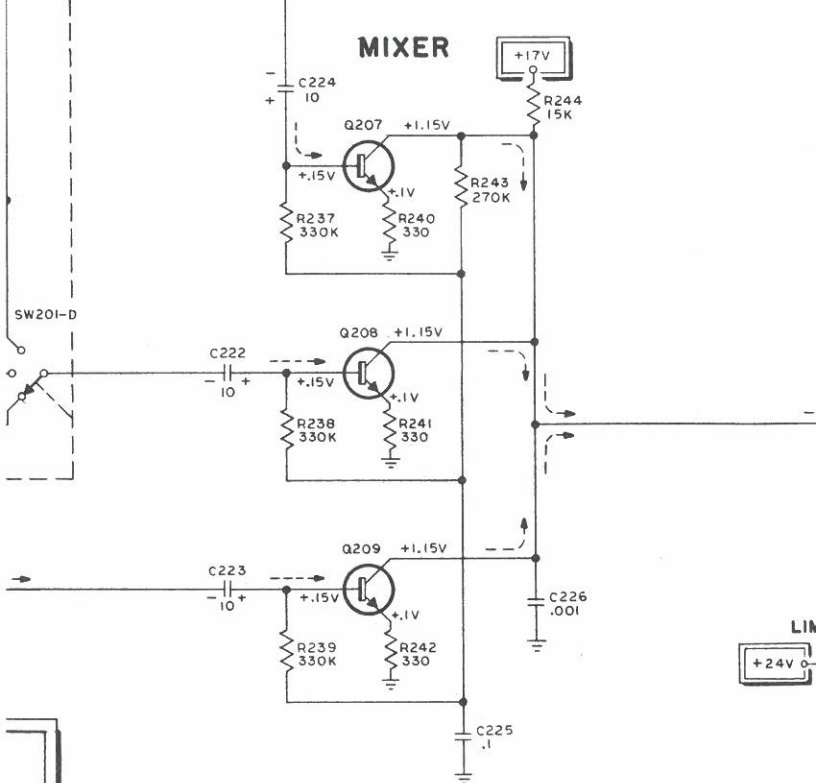
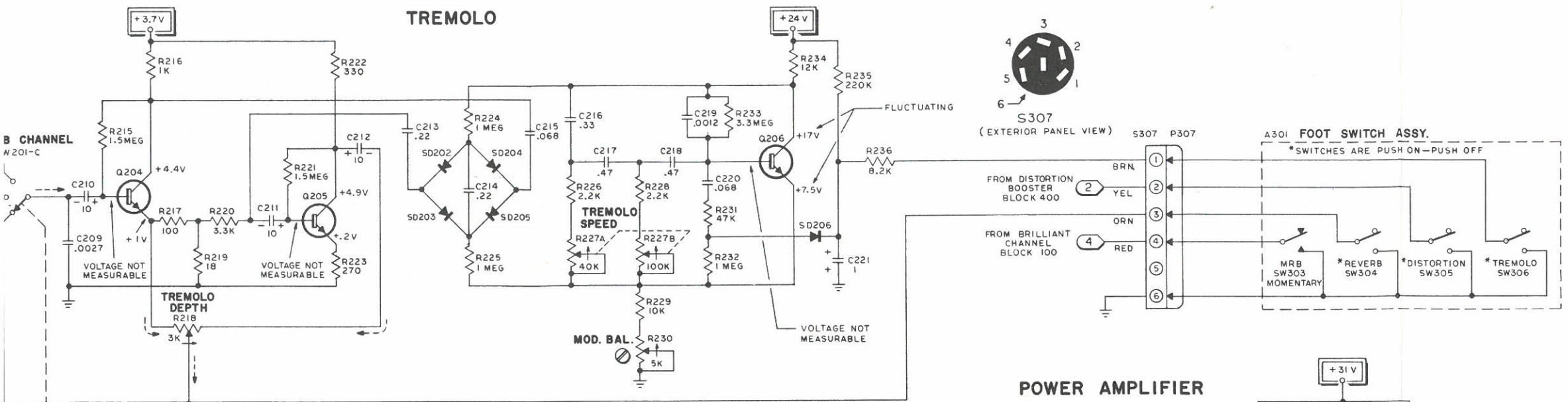


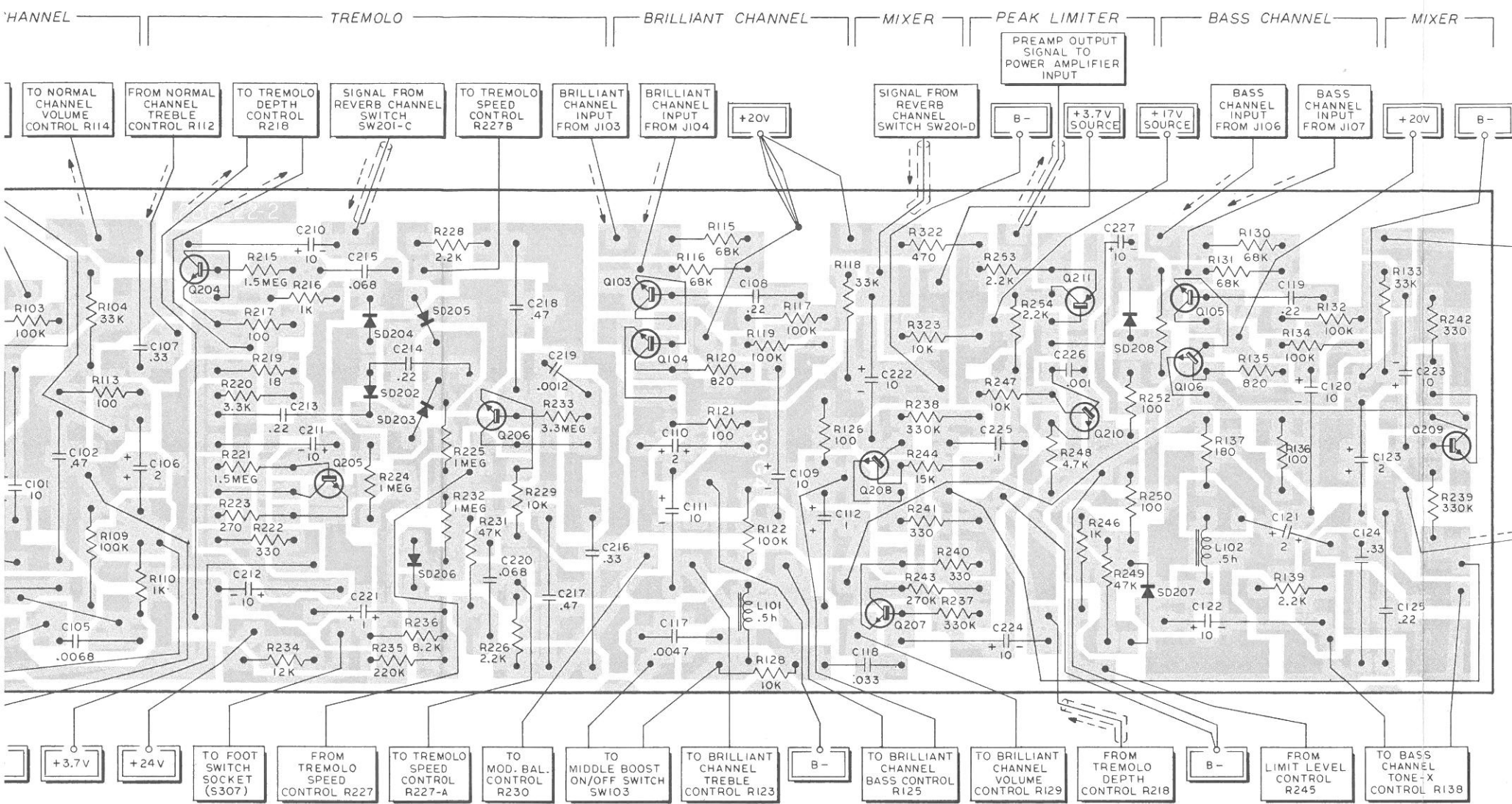
This symbol indicates plug and socket terminal connections. Where it is not practical to draw the assembly as a complete unit.

1. All capacitors in MFD unless otherwise indicated.
2. All resistors 1/2W 10% unless otherwise indicated.
3. All voltage readings made with 20,000 ohm per volt meter (voltages $\pm 10\%$) with no signal applied.
4. Arrow drawn on pot. arm indicates clockwise rotation.

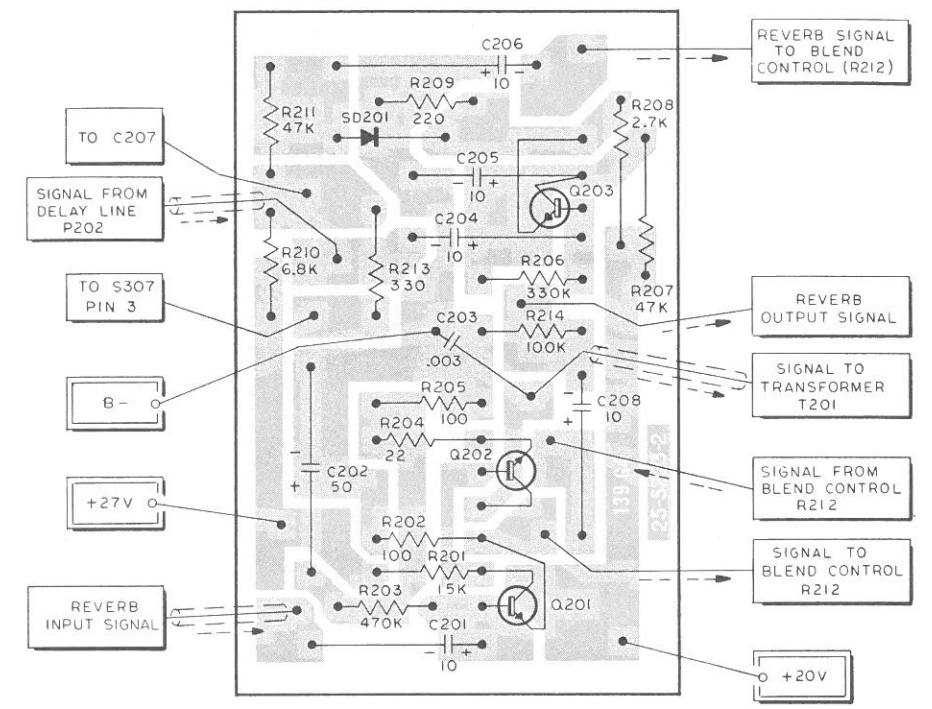
120 V.A.C.
60 ~
2 AMPS
185 WATTS

BLOCK 300

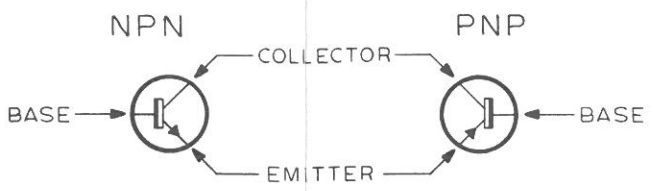
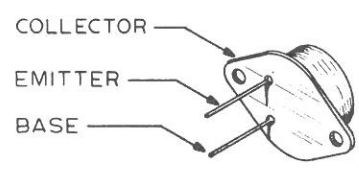
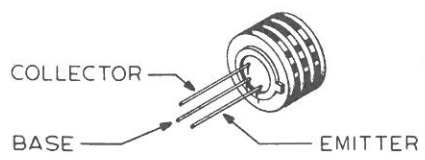
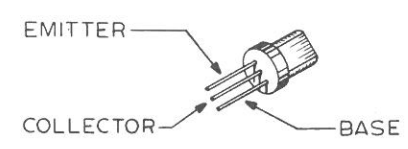




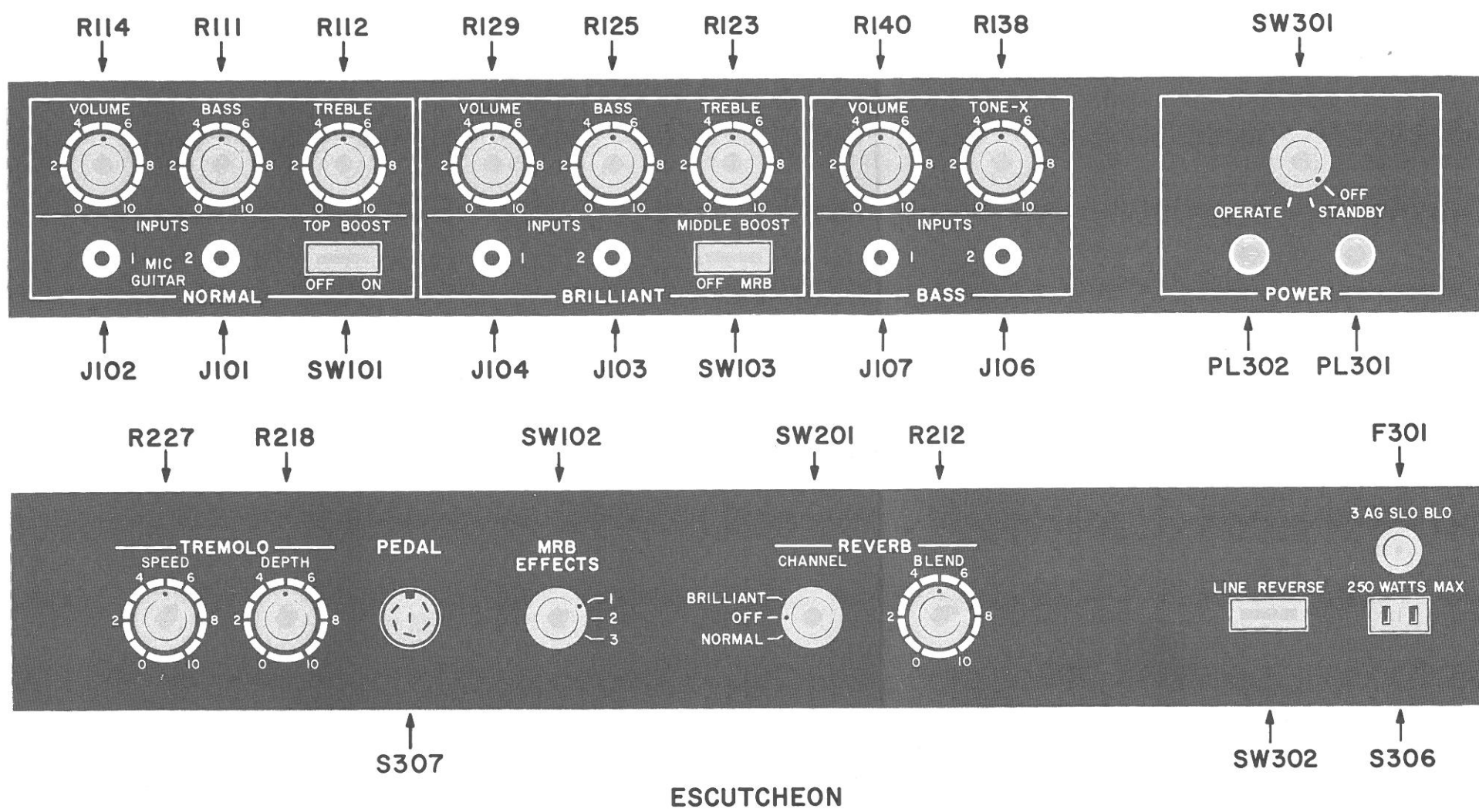
PREAMP P.C. BOARD & COMPONENTS
84-18443
 (SHOWN COPPER SIDE UP)



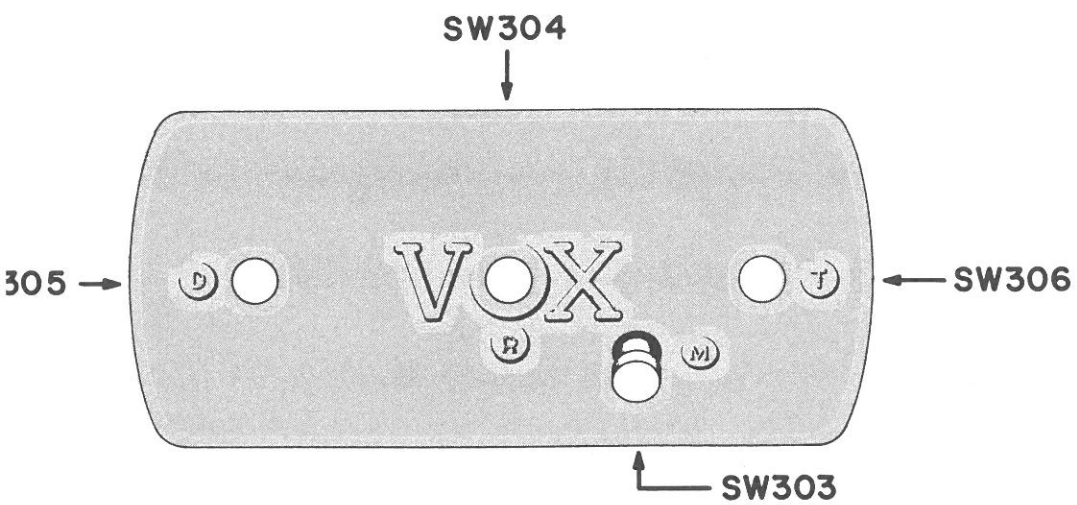
REVERB P.C. BOARD & COMPONENTS
84-18007
 (SHOWN COPPER SIDE UP)



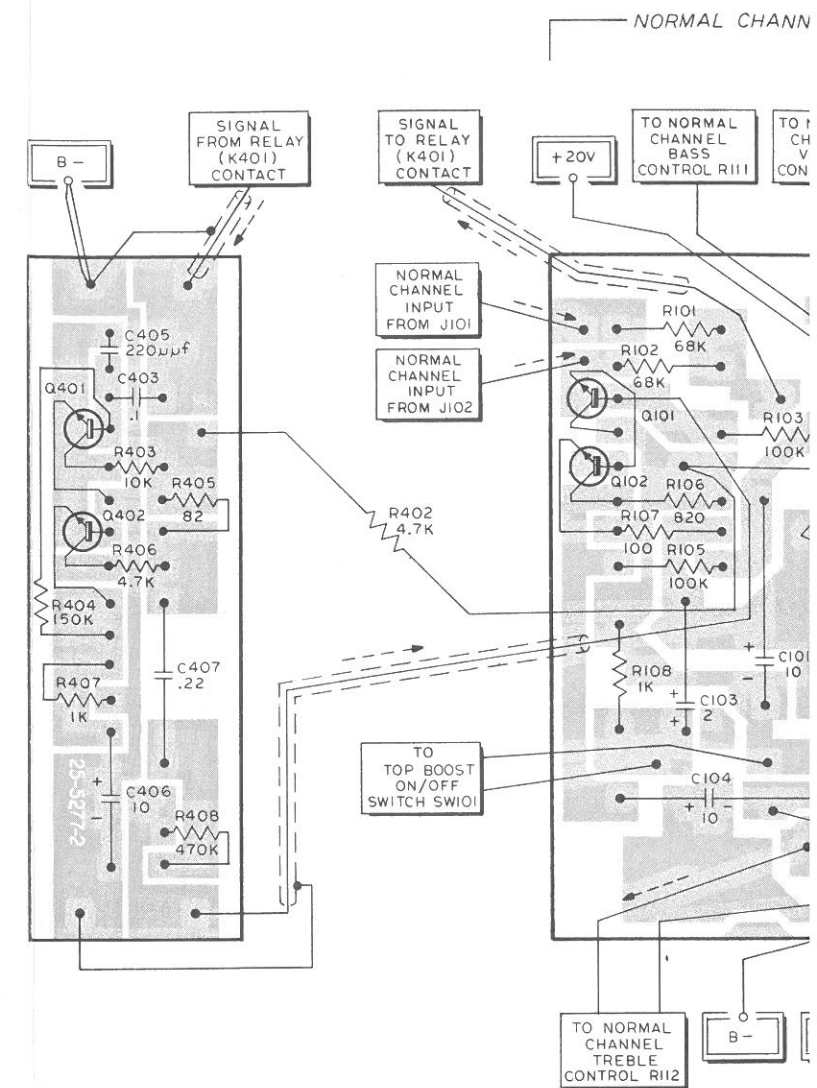
TRANSISTOR INFORMATION



ESCUTCHEON



FOOT SWITCH ASSEMBLY
84-18441



DISTORTION BOOSTER
P.C. BOARD & COMPONENTS
84-18444
(SHOWN COPPER SIDE UP)