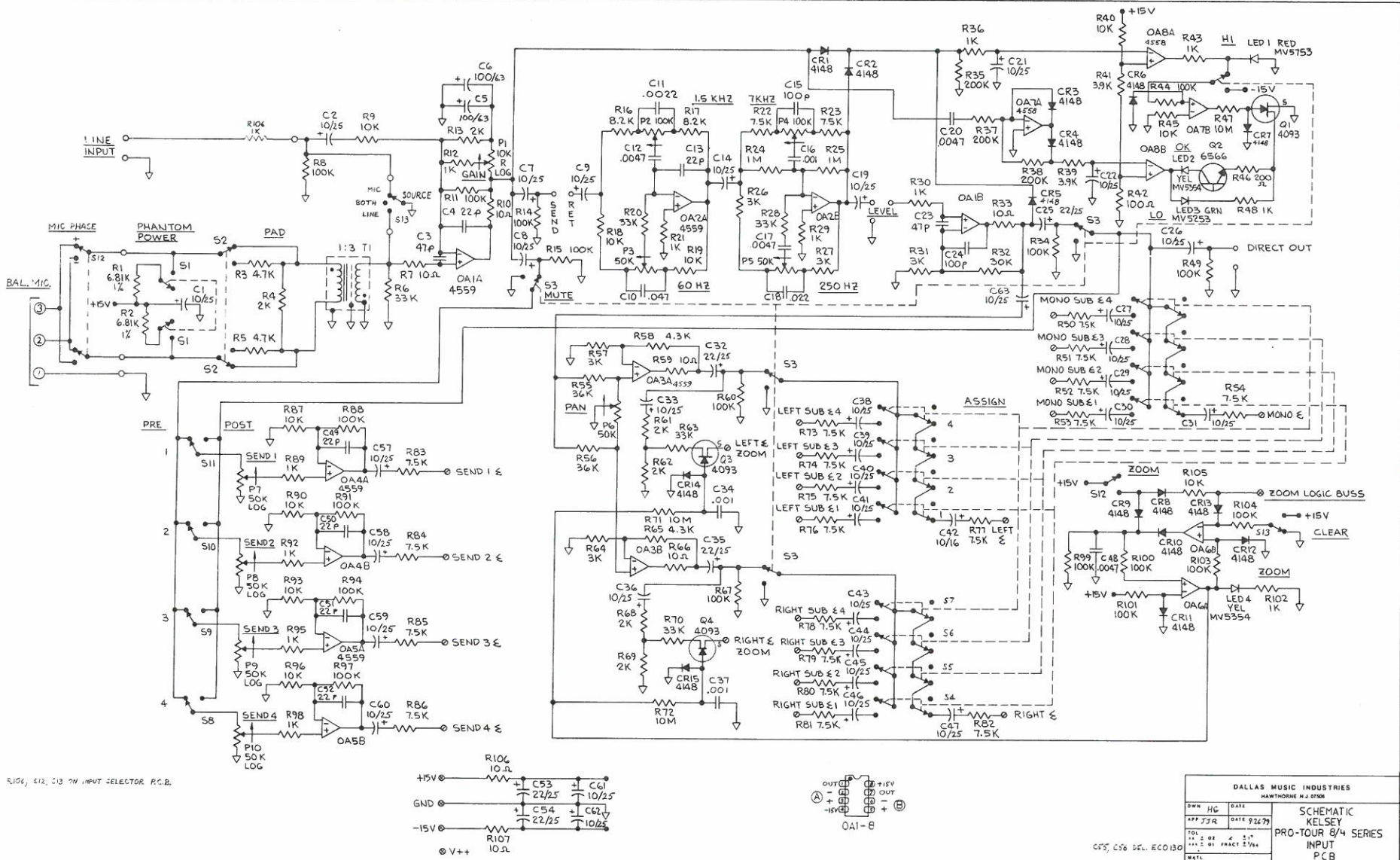
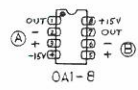
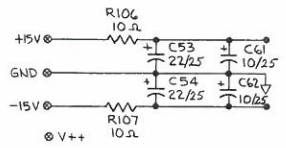


DALLAS MUSIC INDUSTRIES HAWTHORNE #2 01506	
DWG NO: JJR DATE: 1/20/77 REV: 1 SCALE: AS SHOWN	BLOCK DIAGRAM KELSEY PRO-TOUR 8/4 SERIES MIXER
FINISH: _____ DWG NO: 2504161 SCALE: AS SHOWN	REV: 00 DATE: _____

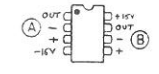
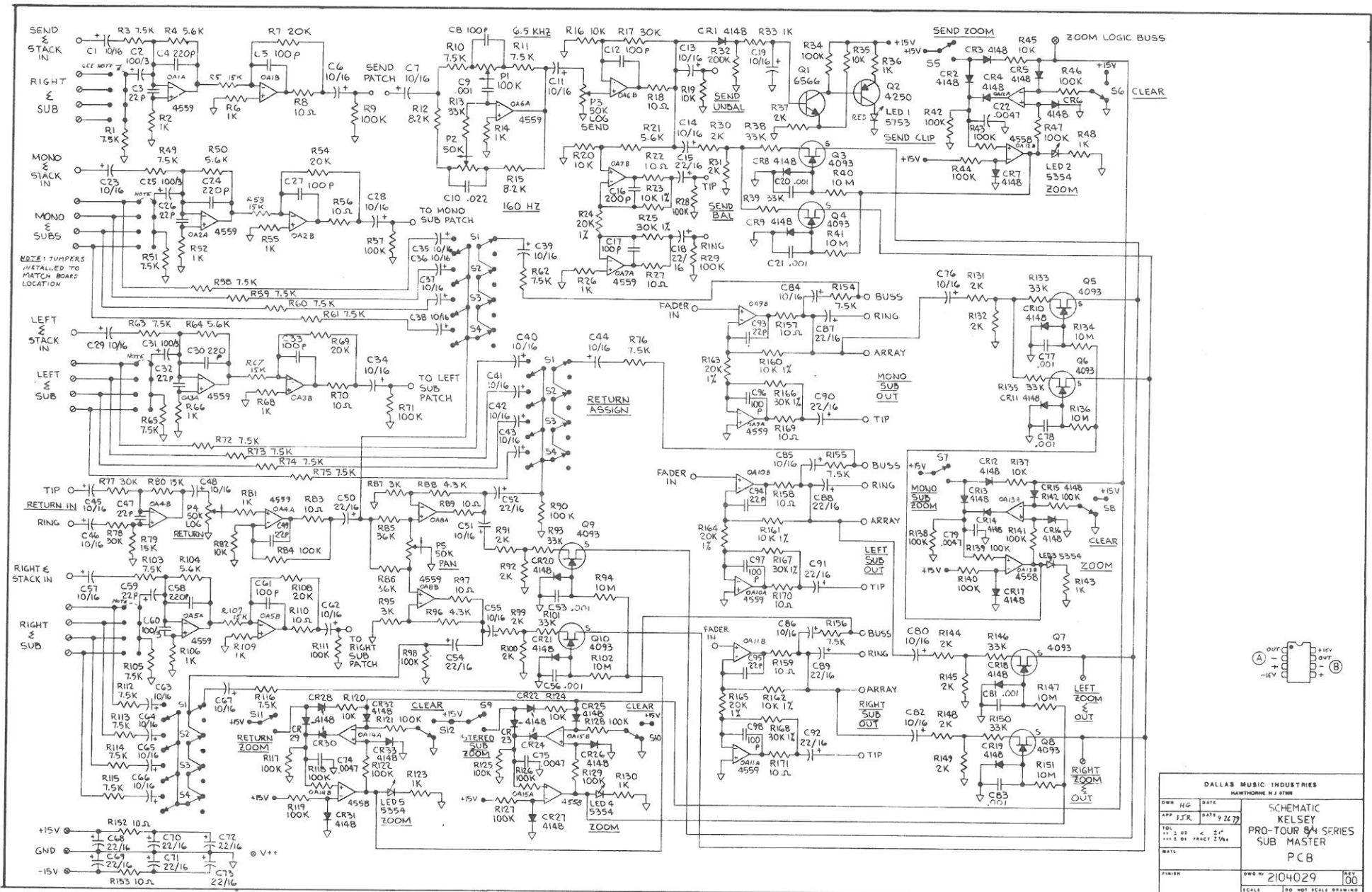


SIG, 512, 513 7M INPUT SELECTOR P.C.B.

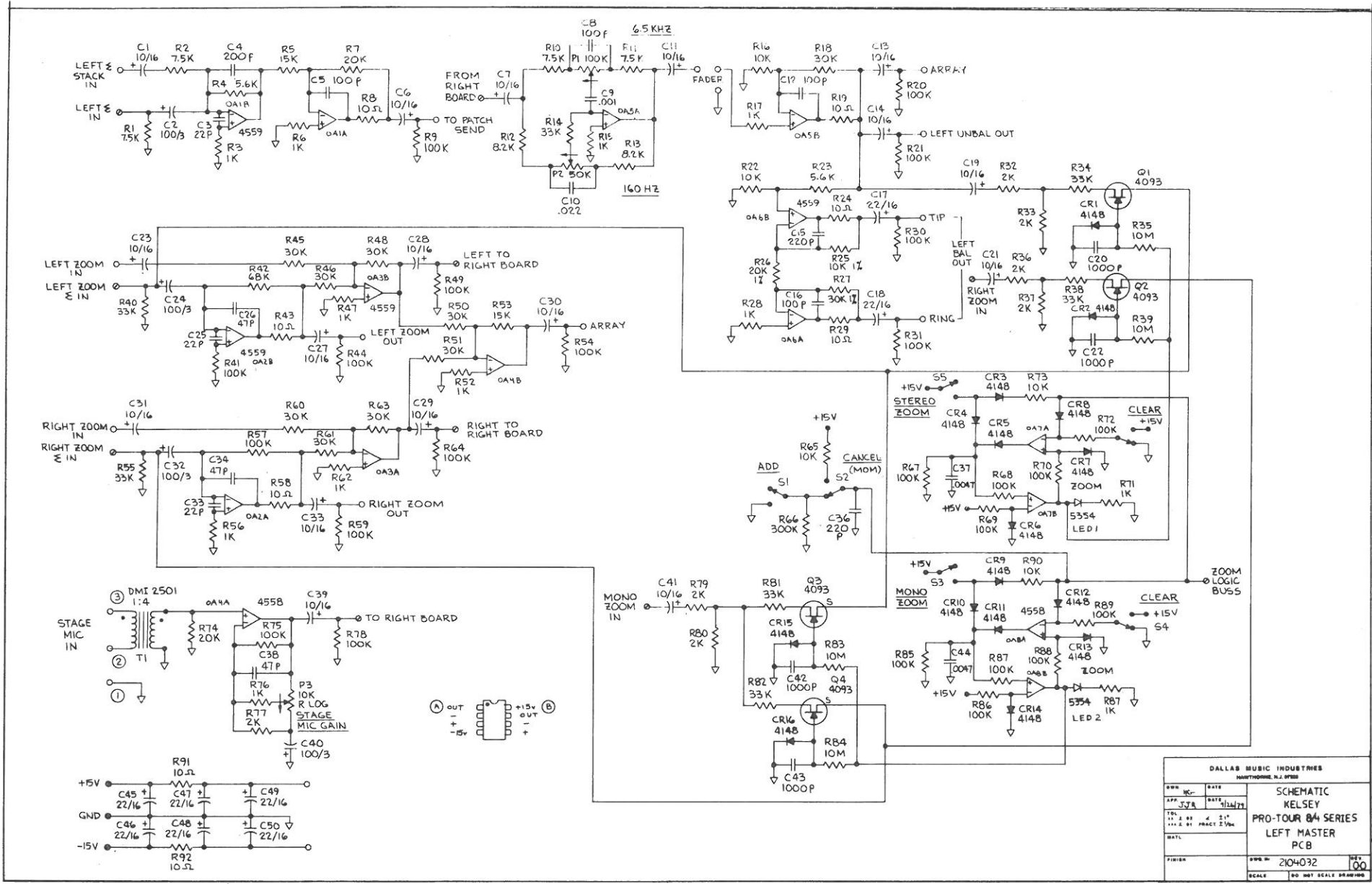


DALLAS MUSIC INDUSTRIES HAWTHORNE N.J. 07096	
DWG NO. 2104028 APP. JFR DATE 9/26/79 TOL. ±.03 ±.1" FRACT. 2/16" MATL. FINISH	SCHEMATIC KELSEY PRO-TOUR 8/4 SERIES INPUT PCB DWG NO. 2104028 SCALE 100% NOT SCALE DRAWING

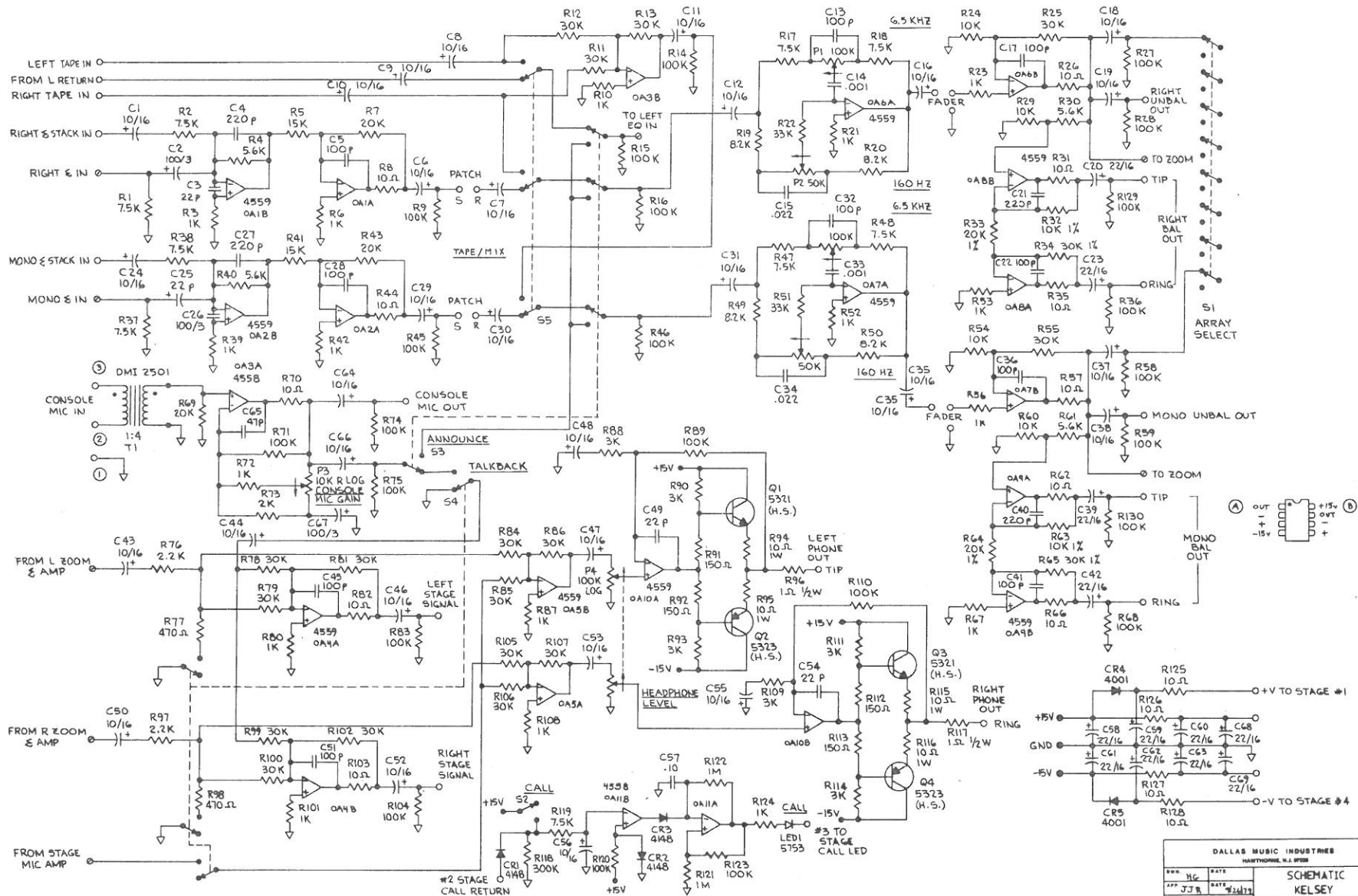
C53, C56 DEL. ECO 130



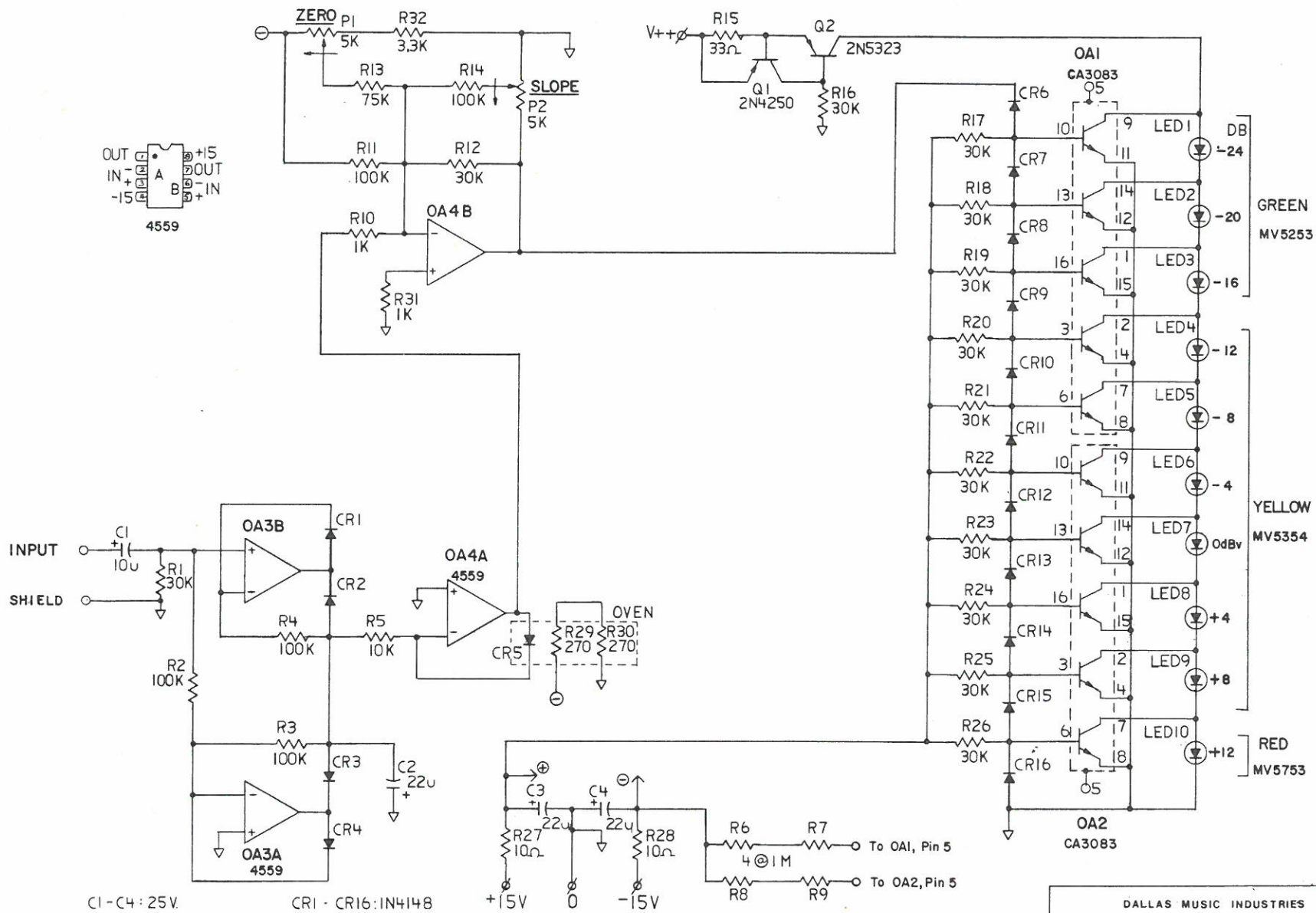
DALLAS MUSIC INDUSTRIES		PART NUMBER: 84-238	
DWR: JG	DATE:	SCHEMATIC	
APP: JFR	DATE: 9-22-77	KELSEY	
TOP: 1	OF: 2	PRO-TOUR 84 SERIES	
MID: 1	OF: 1	SUB MASTER	
DATE:		PCB	
FINISH:		DWR NO: 2104029	REV: 00
SCALE:		DO NOT SCALE DRAWING	



DALLAS MUSIC INDUSTRIES HEATHTORNE, N.J. 07030	
APP. NO. _____	DATE _____
APP. BY _____	DATE _____
TITLE _____	SCALE _____
MATL. _____	SCALE _____
FINISH _____	SCALE _____
DWG. NO. 2104032	REV. 00
SCALE _____	DO NOT SCALE DRAWING



DALLAS MUSIC INDUSTRIES HAWTHORNE, N.J. 07036	
DESIGNER KELSEY	DATE 11/11/73
APP'D J.J.R.	DATE 11/11/73
TOL. 1/16" ± 0.001	PRECISION 1/16" ± 0.001
SCHEMATIC PRO-TOUR B4 SERIES RIGHT MASTER PCB	
FIGURE 2104030	REV. 00
SCALE: DO NOT SCALE DRAWING	



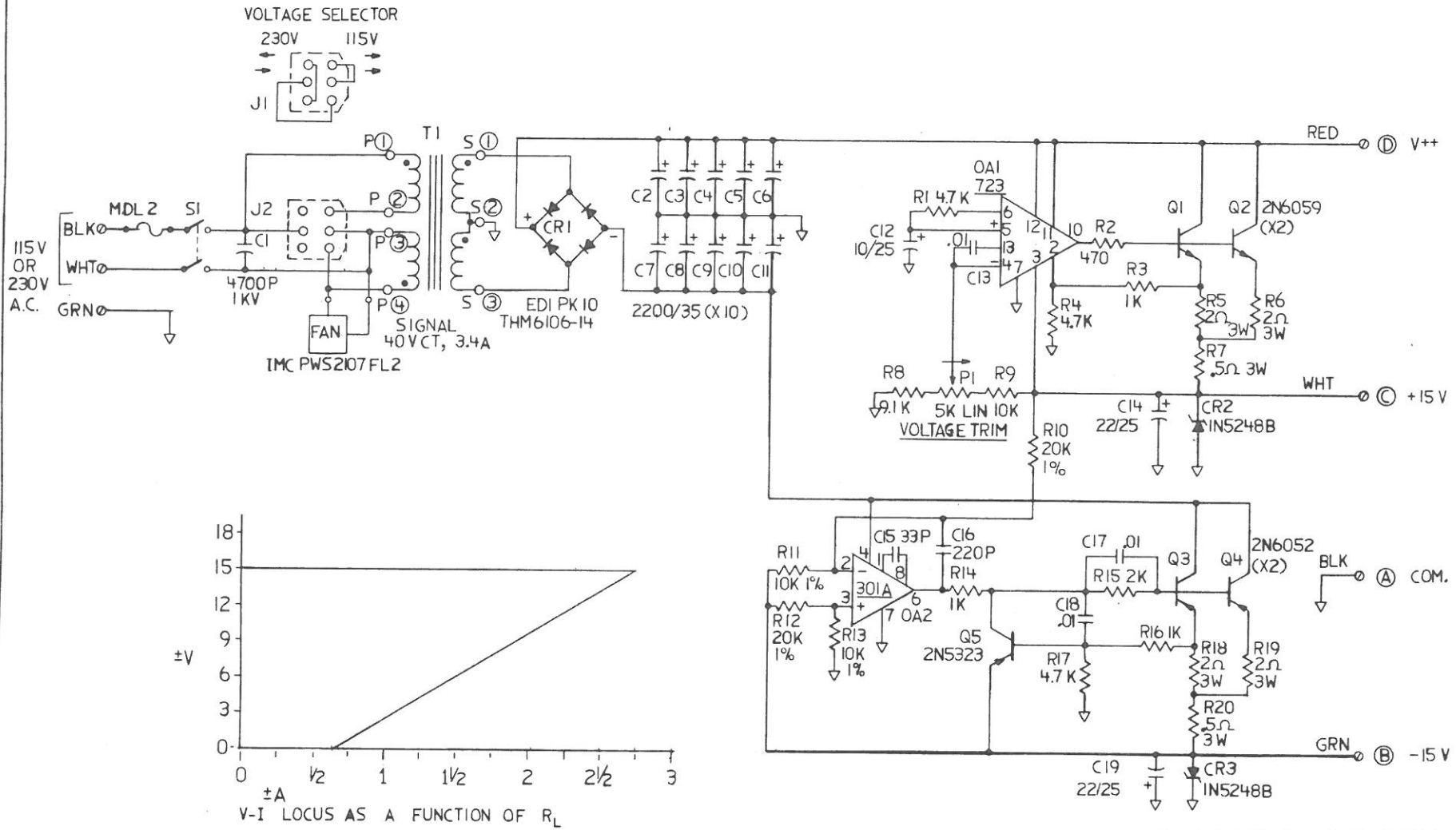
C1 - C4: 25V.

CR1 - CR16: 1N4148

+15V 0 -15V

To OA1, Pin 5
 4 @ 1M
 To OA2, Pin 5

DALLAS MUSIC INDUSTRIES HAWTHORNE, N.J. 07506		LED LEVEL ARRAY SCHEMATIC
DWN: JS	DATE: 11-13-79	
APP: JJR	DATE: 11-13-79	TOL: ±.02 < 2° XXX: ±.01 FRACT: 2/64
FINISH:		
DWG. No.: 2103 252	REV: 01	SCALE: — DO NOT SCALE DRAWING



DALLAS MUSIC INDUSTRIES
HAWTHORNE, N.J. 07508

DWN. JS DATE 10-17-79
APP. JJR DATE 10-17-79
TOL. XX ± .02 < ±1°
XXX ± .01 FRACT. ± 1/64

SCHEMATIC: KELSEY
PRO-TOUR SERIES
POWER SUPPLY

FINISH —

DWG. No. 2103031 REV 02
SCALE — DO NOT SCALE DRAWING