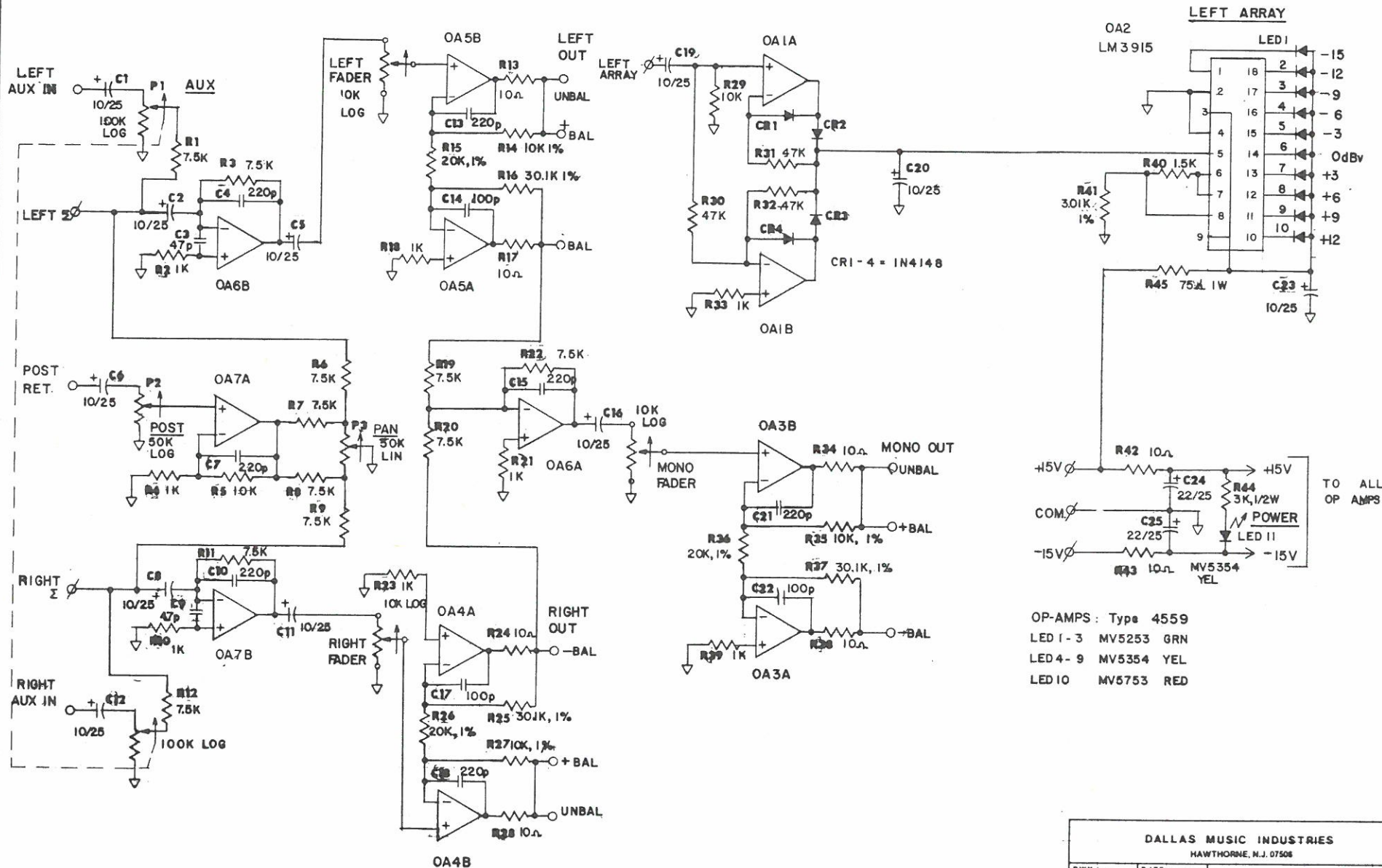


OP-AMPS: Type 4559
 CRI-3: IN4148

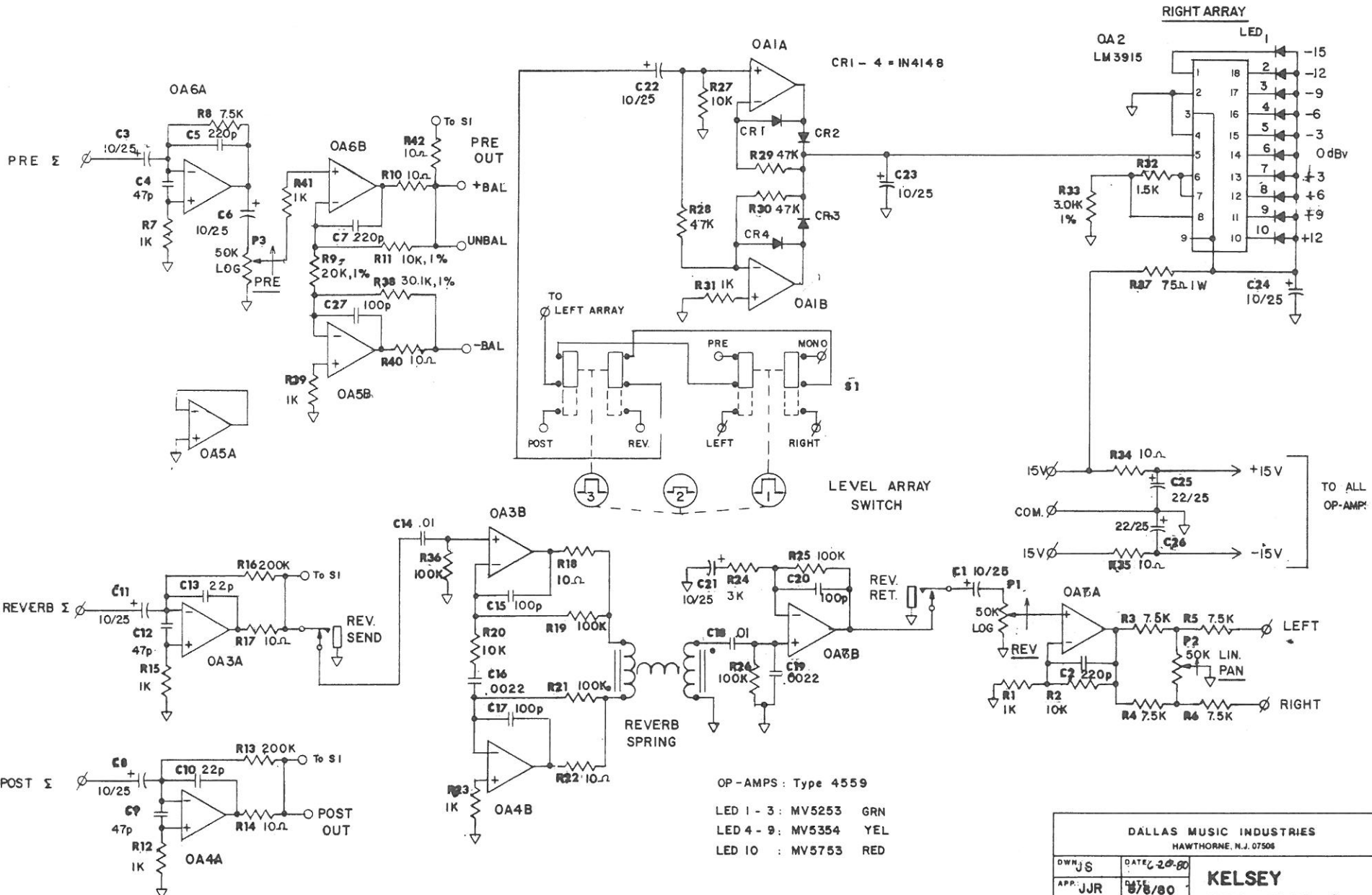
DALLAS MUSIC INDUSTRIES HAWTHORNE, N.J. 07506	
DWN: JS	DATE: 8/7/80
APP: JUR	REV: 02
TOL: ±.02	FRACT: 1/64
MATL:	
FINISH:	
DWG. No: 2103261	REV: 00
SCALE:	DO NOT SCALE DRAWING

KELSEY
PRO-CLUB +3
INPUT P.C. BOARD
SCHEMATIC DIAG.



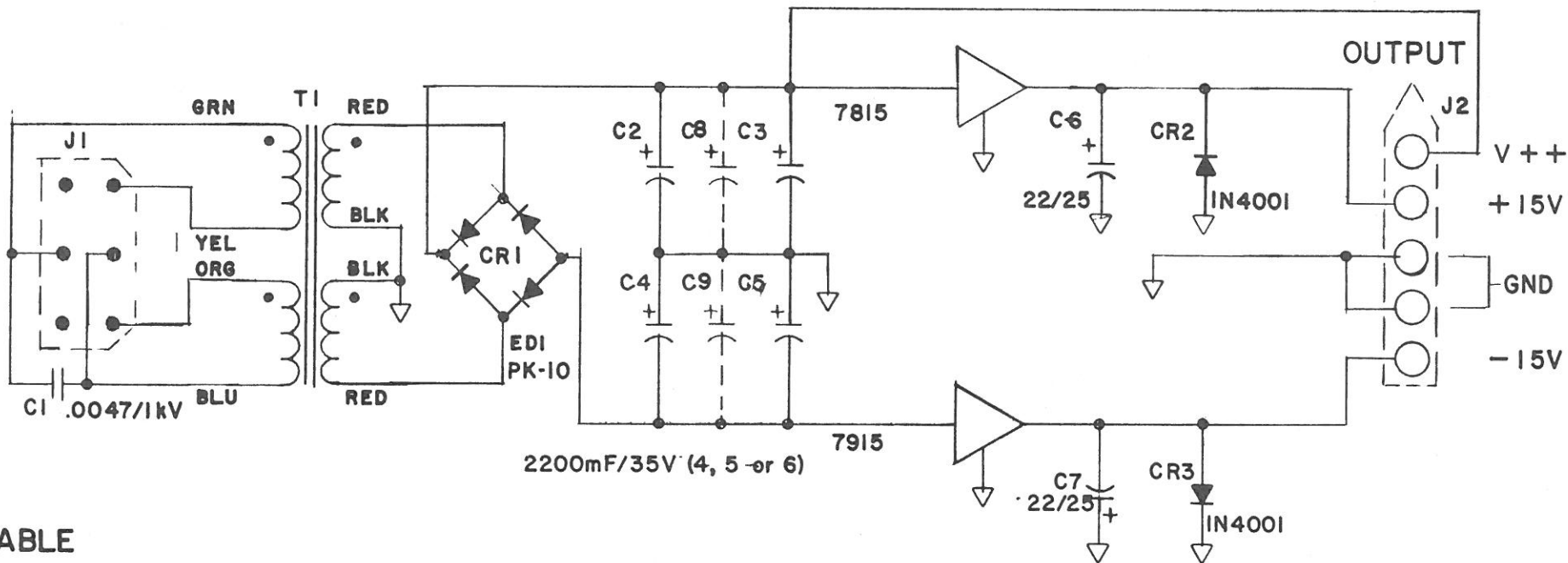
- OP-AMPS: Type 4559
 LED 1-3 MV5253 GRN
 LED 4-9 MV5354 YEL
 LED 10 MV5753 RED

DALLAS MUSIC INDUSTRIES HAWTHORNE, N.J. 07506			
DWR: JS	DATE: 7/1/80	KELSEY PRO-CLUB +3 LEFT MASTER P. C. BOARD	
APP: JWR	DATE: 8/6/80		
TOL: 1% ±0.02	FRACT: 1/64		
MATL:			
FINISH:	DWG. No. 2103262	REV. 00	
	SCALE: DO NOT SCALE DRAWING		

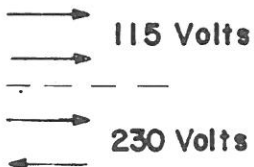
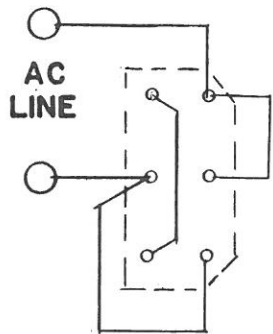


OP-AMPS: Type 4559
 LED 1 - 3: MV5253 GRN
 LED 4 - 9: MV5354 YEL
 LED 10: MV5753 RED

DALLAS MUSIC INDUSTRIES HAWTHORNE, N.J. 07506	
DWN: JS	DATE: 2-20-80
APP: JJR	8/8/80
TOL: XX: ±.02 < ±1° XXX: ±.01 FRACT: 1/64	KELSEY PRO-CLUB +3 RIGHT MASTER P.C. BOARD
MATL:	
FINISH:	DWG. No.: 2103263
SCALE: -	DO NOT SCALE DRAWING



CABLE



DALLAS MUSIC INDUSTRIES HAWTHORNE, N.J. 07506			
DWN.: JS	DATE: 8/21/80	KELSEY Model 264 POWER SUPPLY	
APP: JJR	DATE: 8/25/80		
TOL.: xx: ±.02 <: ±1° xxx: ±.01 FRACT: ±1/64			
MATL.:		FINISH:	
DWG. Nr. 2102264		REV.: 00	
SCALE:		DO NOT SCALE DRAWING	