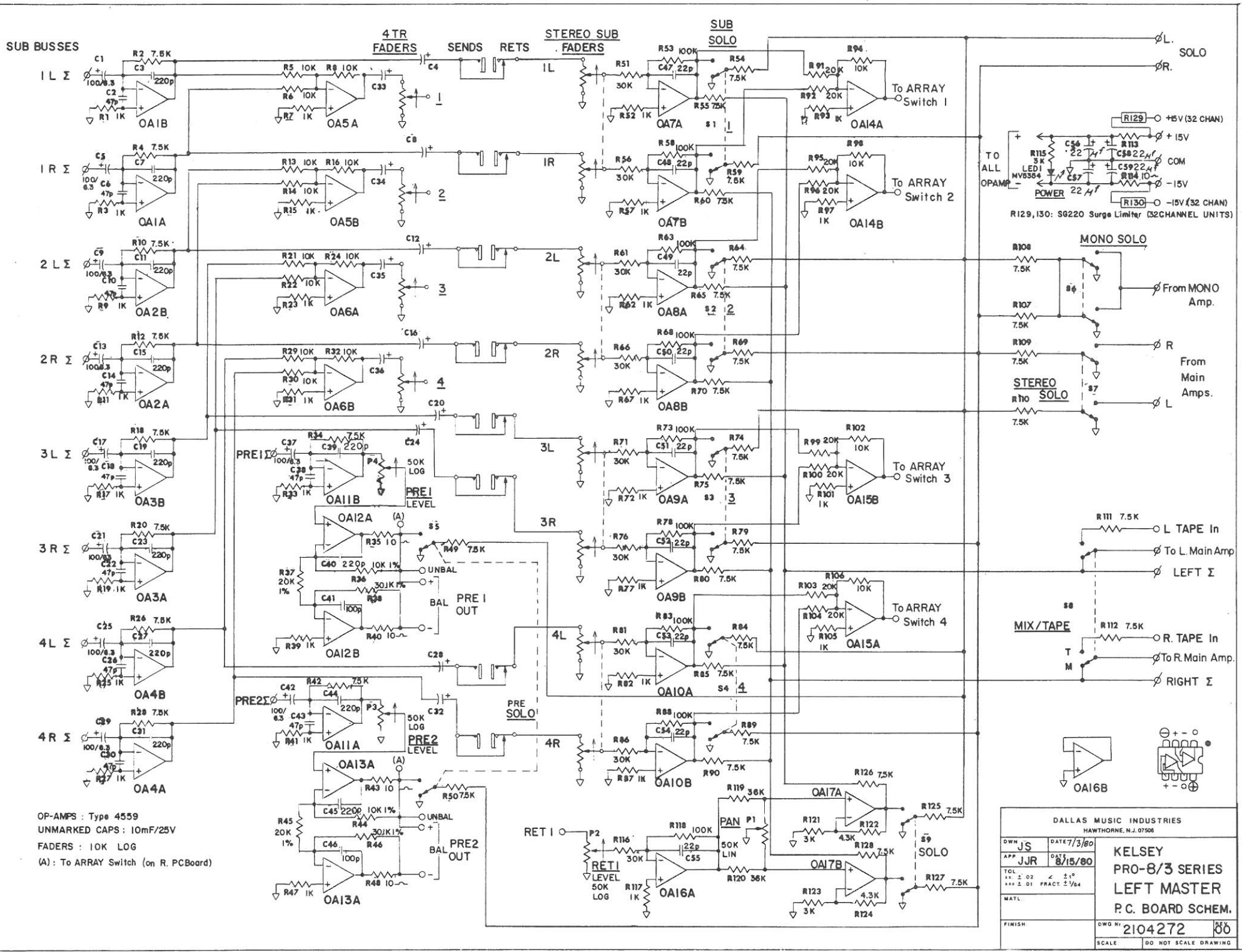


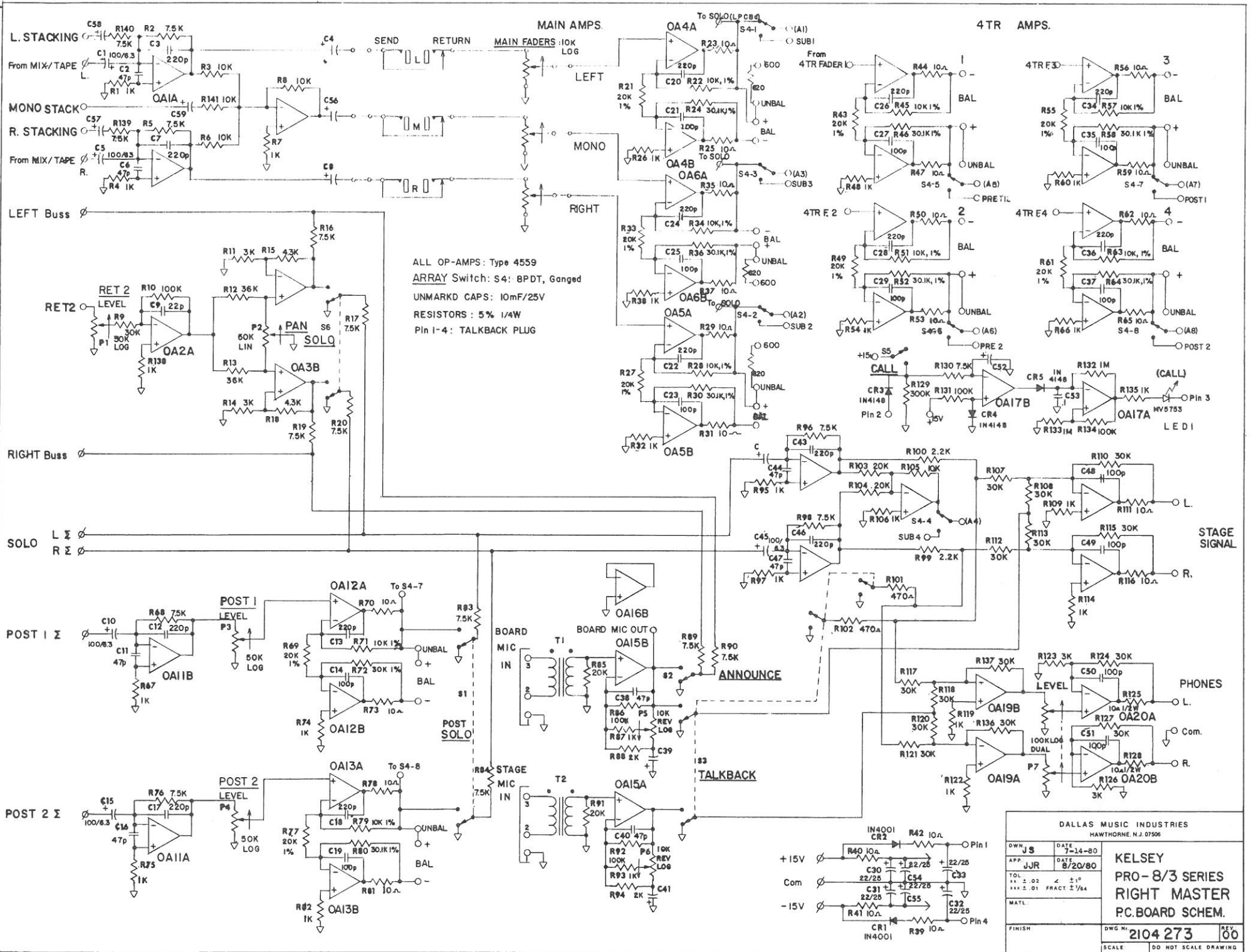
OP-AMPS : Type 4559
 DIODES : 1N4148
 UNMARKED CAPS : 10mF/25V

DALLAS MUSIC INDUSTRIES HAWTHORNE, N.J. 07508			
DWN JS	DATE Aug 1 '80	KELSEY	
APP JJR	DATE 8-12-80	PRO-8/3 SERIES	
TOL ± 0.2 < 2.0		INPUT P.C. Board	
FRAC ± 0.1 FRACT ± 1/64		SCHEMATIC DIAGRAM	
FINISH	OWG N° 2104271	REV 00	
SCALE		DO NOT SCALE DRAWING	



OP-AMPS : Type 4559
 UNMARKED CAPS : 10mF/25V
 FADERS : 10K LOG
 (A) : To ARRAY Switch (on R. PCBoard)

DALLAS MUSIC INDUSTRIES HAWTHORNE, N.J. 07508			
DWN JS	DATE 7/3/80	KELSEY PRO-8/3 SERIES LEFT MASTER P.C. BOARD SCHEM.	
APP JJR	DATE 8/15/80		
TOL ± 0.2 < 1" *** 2.01 FRACT 2 1/64		MATL	REF
FINISH		DWG NO. 2104272	86
		SCALE	DO NOT SCALE DRAWING



ALL OP-AMPS: Type 4559
 ARRAY Switch: S4: 8PDT, Ganged
 UNMARKD CAPS: 10mF/25V
 RESISTORS: 5% 1/4W
 Pin 1-4: TALKBACK PLUG

DALLAS MUSIC INDUSTRIES HAWTHORNE, N.J. 07506	
DWG. JS	DATE 7-14-80
APP. JJR	DATE 8/20/80
TOL. ± 0.02	REV. 2/84
MATL.	FRACT. 2/84
FINISH	
DWG. NO. 2104 273	REV. 00
SCALE	DO NOT SCALE DRAWING